

# FFLB- 19" RACK MOUNTABLE RESISTIVE LOAD BANKS



- Resistive test loads suitable for 19" rack mounting or table top use
- 1, 3 & 5 KW versions available.
- 240VAC & 110VAC options available
- Forced Air cooling
- Built in over current & thermal protection.

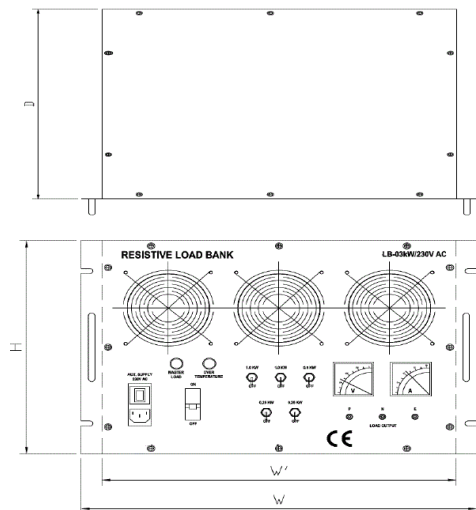
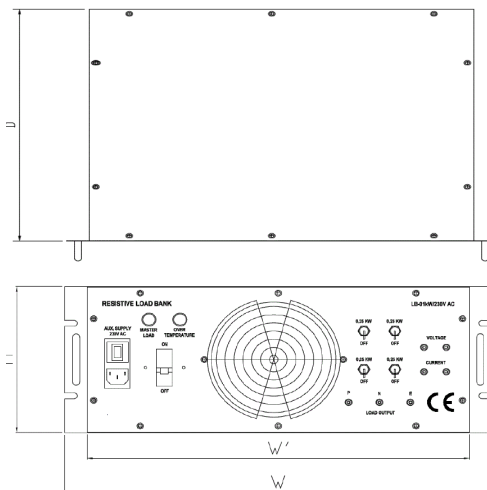


## Characteristics

Rated Power:	1KW, 3KW, 5KW
Rated Voltage	240VAC & 110VAC
Insulation Resistance:	>500MΩ @500V DC
Dielectric Strength :	2500V AC for 1 minute
:	
:	
:	

## Dimensions (mm)

Series	W	W"	D	H
FFLB-1KW	482(19")	432(19")	375	295(4U)
FFLB-3KW	482(19")	432(19")	375	311(&U)
FFLB-5KW	482(19")	432(19")	375	355(8U)



ARCOL UK Limited,  
 Threemilestone Ind. Estate,  
 Truro, Cornwall, TR4 9LG, UK.  
 T +44 (0) 1872 277431  
 F +44 (0) 1872 222002  
 E sales@arcolresistors.com

[www.arcolresistors.com](http://www.arcolresistors.com)

The information contained herein does not form part of a contract and is subject to change without notice. ARCOL operate a policy of continual product development, therefore, specifications may change.

It is the responsibility of the customer to ensure that the component selected from our range is suitable for the intended application. If in doubt please ask ARCOL.

# FFLB- 19" RACK MOUNTABLE RESISTIVE LOAD BANKS RESISTIVE



## Ordering Procedure

Standard Resistor: Series

e.g. FFLB-1KW 230V

## Electrical Specifications

Type	Wattage	Current Range	Load Step Resolution
FFLB-1KW 230V	1KW	1.08A- 4.3A	0.25KW x 4
FLLB-1KW 110V	1KW	2.3A - 9.1A	0.25KW x 4
FFLB-3KW 230V	3KW	1.08A -13A	0.25kw X 2 , 0.5KW X1 , 1KW X2
FFLB-3KW 110V	3KW	2.3A - 27.3A	0.25kw X 2 , 0.5KW X1 , 1KW X2
FFLB-5KW 230V	5KW	1.08A - 21.7A	0.25kw X 2 , 0.5KW X1 , 1KW X2
FFLB-5KW 110V	5KW	2.3A-45.5A	0.25kw X 2 , 0.5KW X1 , 1KW X2 2kw X 1

ARCOL UK Limited,  
Threemilestone Ind. Estate,  
Truro, Cornwall, TR4 9LG, UK.  
T +44 (0) 1872 277431  
F +44 (0) 1872 222002  
E sales@arcolresistors.com

[www.arcolresistors.com](http://www.arcolresistors.com)

The information contained herein does not form part of a contract and is subject to change without notice. Arcol operate a policy of continual product development, therefore, specifications may change.

It is the responsibility of the customer to ensure that the component selected from our range is suitable for the intended application. If in doubt please ask Arcol.