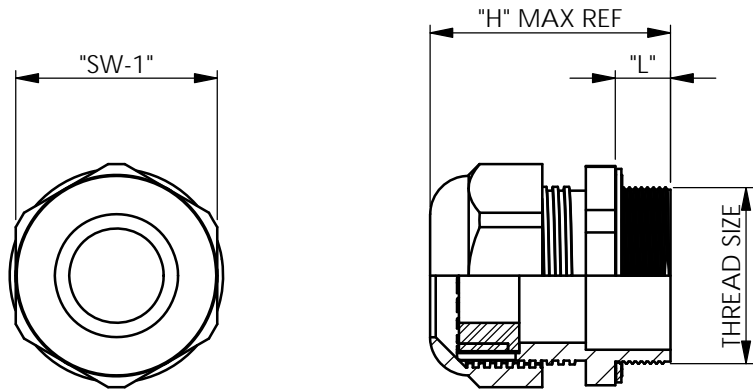
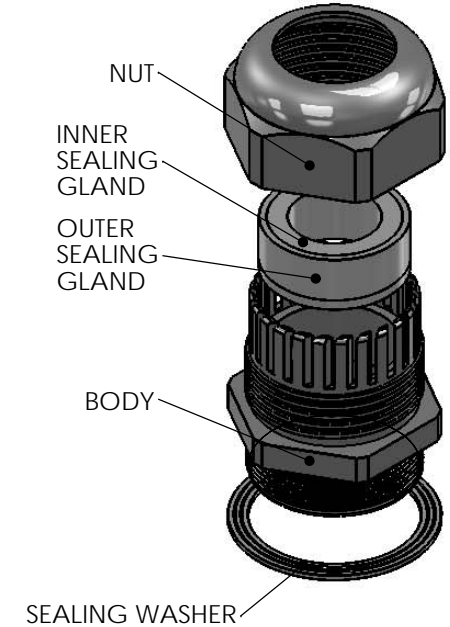


CE **US #E336396**



REV.	MODIFICATION.	DATE	DRN
01	Production release	19/01/10	MT
02	CO2010958	15/07/10	MT
03	CO2011029	14/12/10	SF
04	CO2011176	27/07/11	SF

PART NUMBER COLOUR: GREY RAL 7035 SPECIAL ORDER NAFTA	PART NUMBER COLOUR: BLACK RAL 9005 SPECIAL ORDER EU	THREAD SIZE	CABLE DIAMETER		SUGGESTED CLEARANCE HOLE FOR NON THREADED MOUNTING	"L" ±0.5[.020]	"SW-1" ±0.5[.020]	"H" MAX REF	INSTALLATION TORQUE** Nm
			MIN ϕ	MAX ϕ					
CG-M12-1*	CG-M12-1-BK*	M12	2[.079]	5[.197]	12.2[.480]	8[.315]	15[.591]	31[1.220]	0.7
CG-M16-1	CG-M16-1-BK	M16	3[.118]	10[.394]	16.2[.638]		20[.787]	35.5[1.398]	2.0
CG-M20-1	CG-M20-1-BK	M20	5[.197]	13[.512]	20.2[.795]		24[.945]	36[1.147]	2.7
CG-M25-1	CG-M25-1-BK	M25	8[.315]	17[.669]	25.2[.992]	10[.394]	29[1.142]	43[1.623]	5.0
CG-M32-1	CG-M32-1-BK	M32	12[.472]	21[.827]	32.2[1.268]		36[1.147]	50[1.968]	7.5
CG-M40-1	CG-M40-1-BK	M40	16[.630]	28[1.102]	40.2[1.583]		46[1.811]	51[2.008]	
SEALING WASHER INCLUDED WITH THREADS M32 AND M40									
*CG-M12-1 SOLD WITH OUTER SEALING GLAND ONLY									
**TESTED WITH SPECIFIED TEST MANDRELS ACCORDING DIN EN 50262, CHAPTER 5.7. DEPENDING ON THE CABLE CONSTRUCTION DIFFERENCES ARE POSSIBLE.									



- NOTES:
- 1) TEMPERATURE RANGE -20°C TO +100°C
 - 2) PROTECTION GRADE IP68 - 5 BAR
 - 3) REMOVE THE INNER SEALING GLAND FOR LARGER CABLE DIAMETERS

ALTERNATE UNITS FOR REFERENCE ONLY

<p>INFORMATION CONTAINED IN THIS DOCUMENT IS CONFIDENTIAL TO RICHCO INTERNATIONAL Co. Ltd. AND MAY NOT BE DISCLOSED OR REPRODUCED IN WHOLE OR PART WITHOUT THEIR WRITTEN CONSENT.</p>					
<p>RICHCO, INC. WWW.RICHCO-INC.COM</p>			<p>ALL DIMENSIONS IN mm[inch] GENERAL TOLERANCES UNLESS OTHERWISE STATED 1 DECIMAL PLACE ± 2 DECIMAL PLACES ± ANGULAR ±1°</p>		<p>THIRD ANGLE</p>
<p>MATERIAL: BODY AND NUT - NYLON 6 UL94 V-2 (RMS-036) OUTER SEALING GLAND - CR/NBR (RMS-037) INNER SEALING GLAND - TPE (RMS-040) SEALING WASHER - NBR (RMS-041)</p>			<p>COLOUR: BODY AND NUT: SEE TABLE SEALS: BLACK</p>		
<p>DESCRIPTION: CABLE GLANDS - M TYPE</p>			<p>PART No: CG-MXX-X</p>		
<p>DRG No: 09-110</p>		<p>NPR No: EU09-0034</p>		<p>SHEET SIZE A4</p>	
<p>DRN MT</p>	<p>DATE 09/04/09</p>	<p>CHKD TC</p>	<p>DATE 08/10/09</p>	<p>SCALE NTS</p>	<p>SHEET No. 1 OF 1</p>

Mouser Electronics

Authorized Distributor

Click to View Pricing, Inventory, Delivery & Lifecycle Information:

[Essentra:](#)

[CG-M16-1-BK](#)