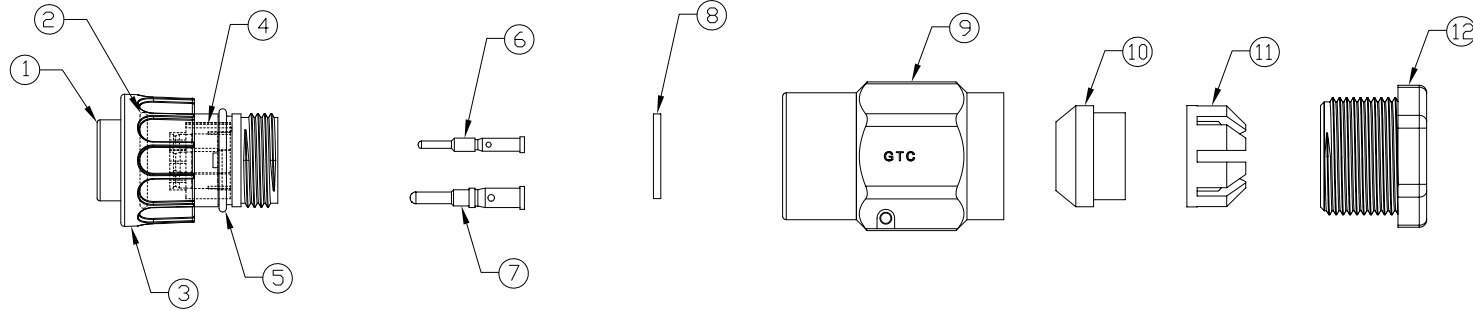


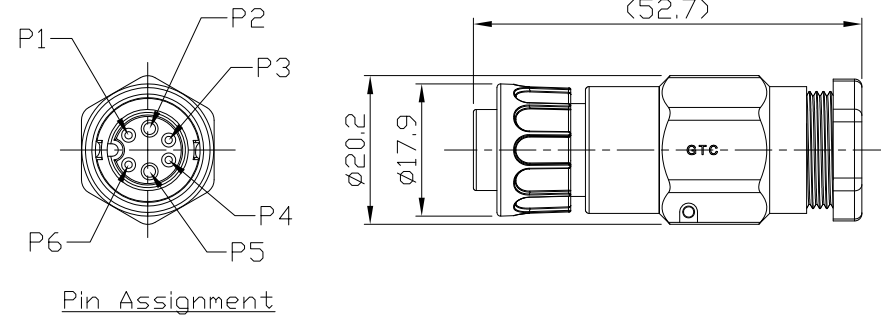
Notes: (Unless Otherwise Specified)

1. Waterproof Rate: IP67.
2. Recommend Cable Diameter: 5.0 to 6.0 mm
3. Recommend Cover Torque: 6.0 to 7.0 Kg-cm.
4. Recommend Gland Nut Torque: 9.0 to 10.0 Kg-cm.
5. RoHS Compliant.

REV	ECN#	DESCRIPTION OF REVISION	DRAW BY DATE	CHECK BY DATE	APPROVE BY DATE
A1	ECN-160108	Modify Drawing Number GT152274-26060 -> GT1D2243-29240/A1	Joyce 01/18/16	Lucas 01/18/16	Ray 01/18/16



12	Gland Nut	Thermoplastic Color: Black	1
11	Cage	Thermoplastic Color: White	1
10	Gland	Silicone Color: Green	1
9	Cover	Thermoplastic Color: Black	1
8	Gasket	Silicone Color: Black	1
7	Contacts (10A)	Copper Alloy Finish: Au Plated	2
6	Contacts (5A)	Copper Alloy Finish: Au Plated	4
5	O-Ring	Silicone Color: Red	1
4	Base	Thermoplastic Color: Black	1
3	Lock Nut	Thermoplastic Color: Black	1
2	O-Ring	Silicone Color: Red	1
1	Housing	Thermoplastic Color: Black	1
Item	Part Name	Material / Finish	Q'ty



A1

Part No.
179-7932



TITLE						Mating Part No.			REV.
C2 5A+10A 4P+2P Field Installable Cable End Male Crimp Lock						179-7931 & 179-7933			A1
	B	1:1	Karen 09/10/09	Ray 09/10/09	Ray 09/10/09	X.X ± 0.5 X.XX ± 0.2	X.XXX ± 0.05 ANGLES ± 1°	mm	1/1
THIRD ANGLE PROJECTION	SIZE	SCALE	DRAW / DATE	CHECK / DATE	APPROVE / DATE	TOLERANCES		UNIT	SHEET