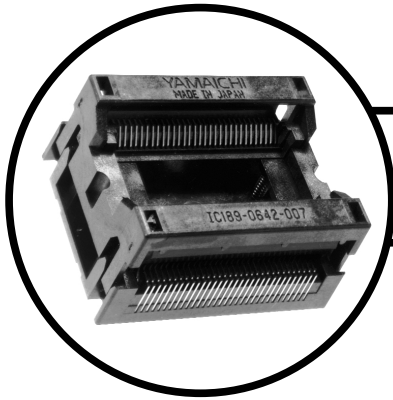


SOP / SOIC (Type I & II) Open Top

IC189 Series



Characteristics

Insulation Resistance:	1,000MΩ minimum at 500 VDC
Withstanding Voltage:	700 VAC for 1 Minute
Contact Resistance:	30mΩ max. at 10mA/20mV (Initial)
Operating Temperature:	-40°C ~ +150°C

Material

Insulator:	PEI (Glass Filled)
Contact:	Beryllium Copper
Plating:	Gold over Nickel

IC189 - 016 2- 019 * - *

Socket Series

No. of Leads

No. of Sides with Contacts

Design No.

Positioning Pin

N: Without Positioning Pin

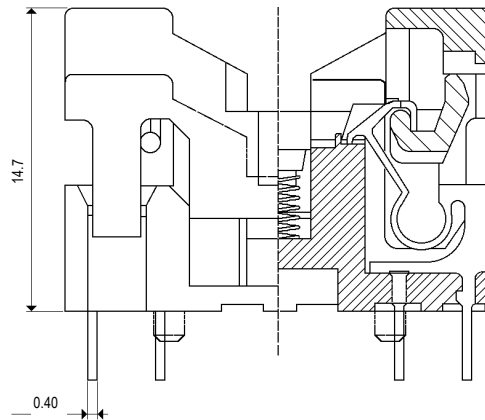
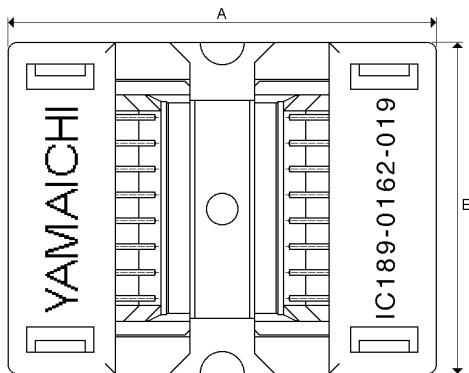
No Mark: With Positioning Pin

Protection Key

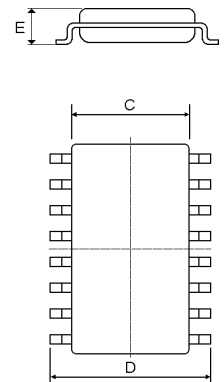
K: With Protection Key

No Mark: Without Protection Key

Socket Dimension



IC Dimension



Packages

Part Number	No. of Leads	Pitch	Socket Dimensions		IC Dimensions		
			A	B	C	D	E
IC189-0162-003	16	1.27	20.9	16.1	5.3	7.8	1.90
IC189-0162-019	16	1.27	20.8	16.0	5.6	7.7	1.65
IC189-0202-038	20	0.65	24.0	22.5	6.1	8.1	1.83
IC189-0242-040	24	1.27	24.0	22.5	7.15	10.3	2.60
IC189-0282-042	28	1.27	24.0	22.5	7.15	10.3	2.60
IC189-0322-004	32	1.27	27.2	26.54	11.4	14.1	2.85
IC189-0322-005	32	1.27	27.2	27.5	11.0	14.0	2.65
IC189-0362-089	36	1.27	24.9	29.8	10.2	11.8	1.10

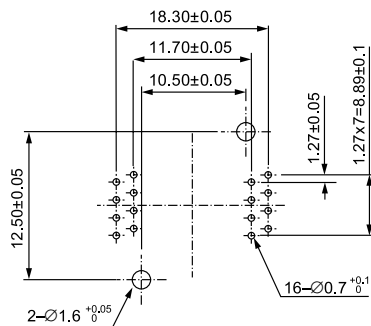
Note: Please call Yamaichi Electronics for other available pin counts.

IC189 Series

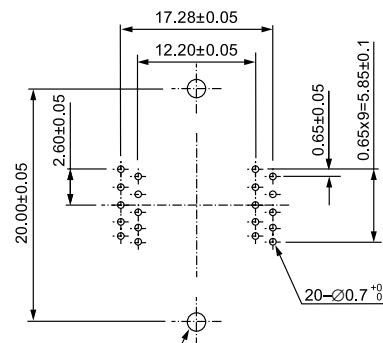
Part Number	No. of		Socket Dimensions		IC Dimensions		
	Leads	Pitch	A	B	C	D	E
IC189-0382-037	38	0.65	24.0	22.5	6.1	8.1	1.83
IC189-0402-068	40	0.50	40.0	16.0	18.4	20.0	1.19
IC189-0402-096	40	1.27	27.2	31.6	11.3	14.1	2.85
IC189-0422-025	42	0.80	25.0	25.4	8.4	11.9	2.20
IC189-0442-065	44	1.27	29.1	34.2	13.2	16.0	2.90
IC189-0482-047	48	0.65	24.0	22.5	8.0	10.0	1.83
IC189-0482-066	48	0.50	36.0	20.0	16.4	18.0	1.10
IC189-0482-077	48	0.50	40.0	18.0	18.4	20.0	1.10
IC189-0482-094	48	0.50	28.1	18.2	6.1	8.1	1.00
IC189-0542-088	54	0.80	24.9	29.8	10.16	11.76	1.10
IC189-0542-093	54	0.80	24.9	29.8	10.16	11.76	1.10
IC189-0562-067	56	0.50	40.0	20.0	18.4	20.0	1.10
IC189-0562-078	56	0.50	40.2	20.0	18.4	20.0	1.10
IC189-0622-084	62	0.80	31.46	34.6	16.0	18.0	1.20
IC189-0642-007	64	0.80	27.35	34.1	12.0	14.3	2.20
IC189-0642-028	64	0.80	27.35	34.1	11.8	13.8	2.15
IC189-0642-041	64	0.80	27.35	34.1	12.0	14.25	2.00
IC189-0642-069	64	0.80	27.05	33.8	10.7	14.1	2.00
IC189-0682-097	68	0.50	30.0	26.8	8.38	9.98	1.00
IC189-0702-074	70	0.80	29.3	37.0	12.6	15.9	2.40
IC189-0882-099	88	0.65	32.0	37.75	16.0	18.0	1.20

Note: Please call Yamaichi Electronics for other available pin counts.

SOP IC189-0162-003 (16 Pins)



SSOP IC189-0202-038 (20 Pins)

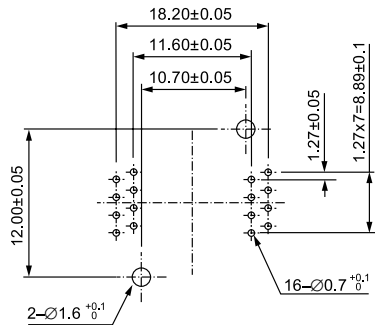


PC BOARD LAYOUTS

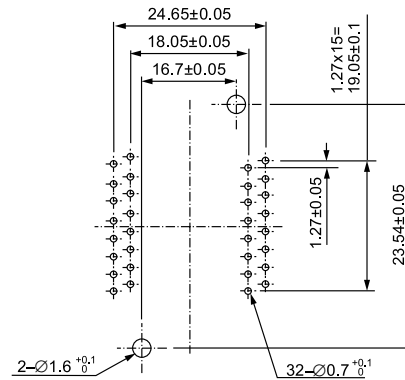
SOP / SOIC

IC189 Series

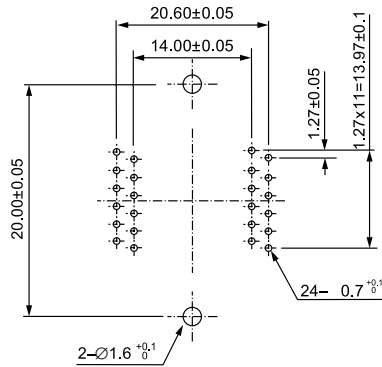
SOP IC189-0162-019 (16 Pins)



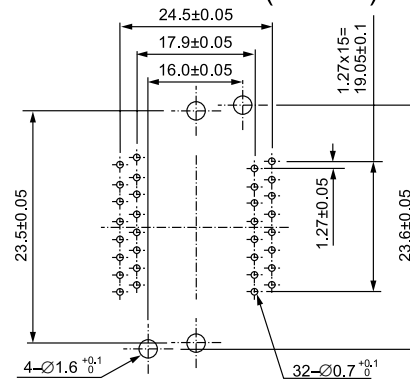
SOP IC189-0322-004 (32 Pins)



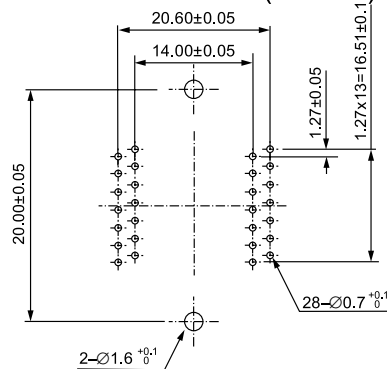
SOP IC189-0242-040 (24 Pins)



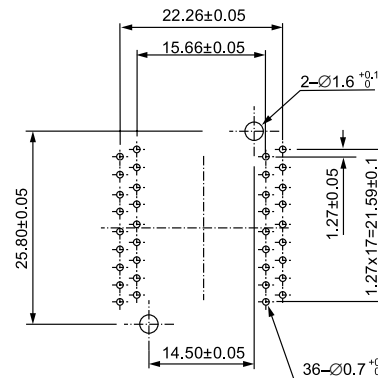
SOP IC189-0322-005 (32 Pins)



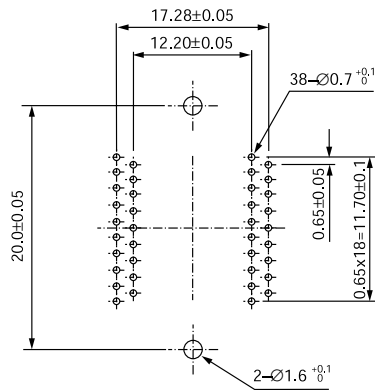
SOP IC189-0282-042 (28 Pins)



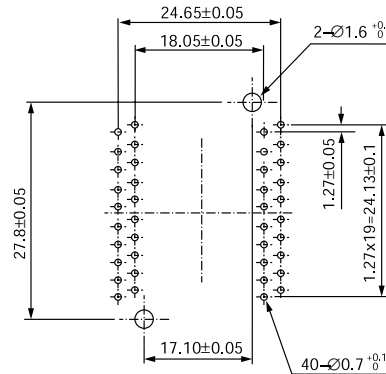
TSOP II IC189-0362-089 (36 Pins)



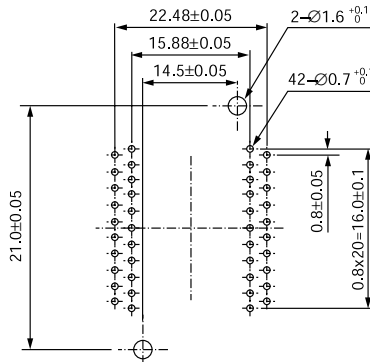
SSOP IC189-0382-037 (38 Pins)



SOP IC189-0402-096 (40 Pins)

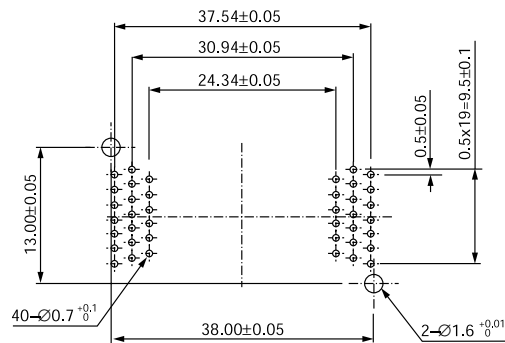


SOP IC189-0422-025 (42 Pins)

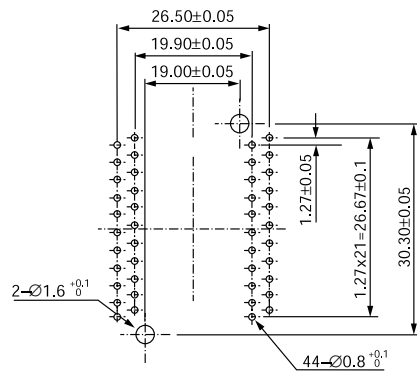


TSOP IC189-0402-068 (40 Pins)

TSOP IC189-0402-068-2 (40 Pins)



SOP IC189-0442-065 (44 Pins)

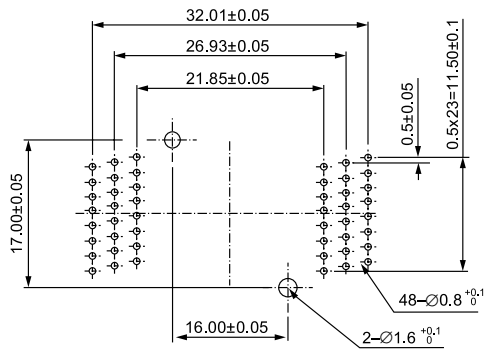


PC BOARD LAYOUTS

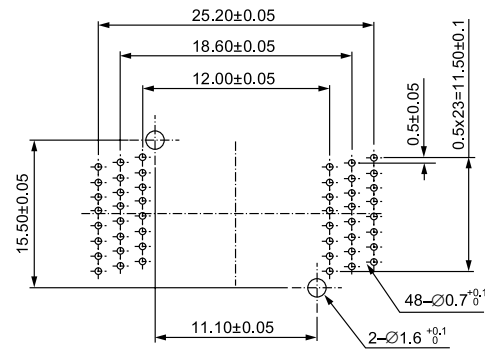
SOP / SOIC

IC189 Series

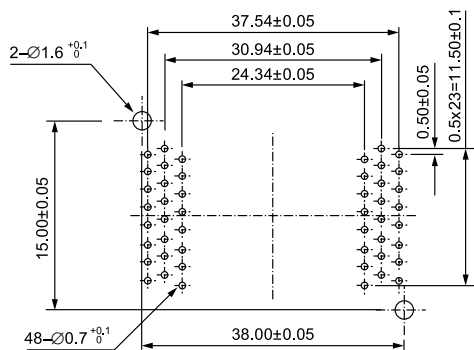
TSOP IC189-0482-066 (48 Pins)
TSOP IC189-0482-066-2 (48 Pins)



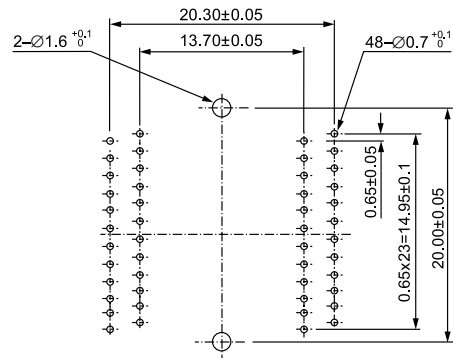
TSSOP IC189-0482-094 (48 Pins)



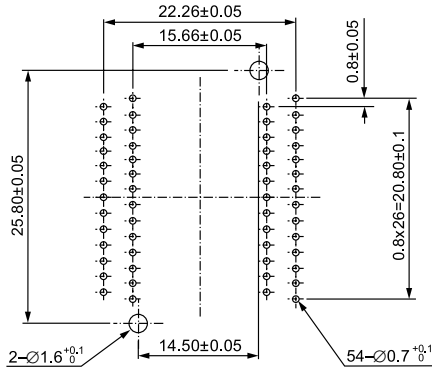
TSOP IC189-0482-077 (48 Pins)



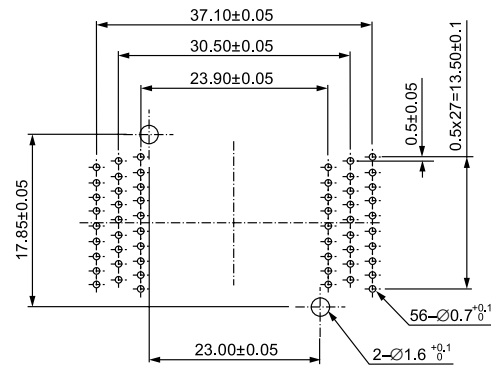
SSOP IC189-0482-047 (48 Pins)



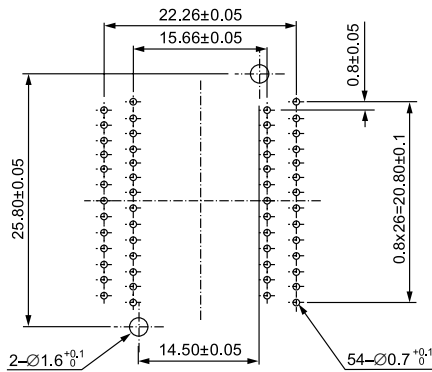
TSOPII IC189-0542-088 (54 Pins)



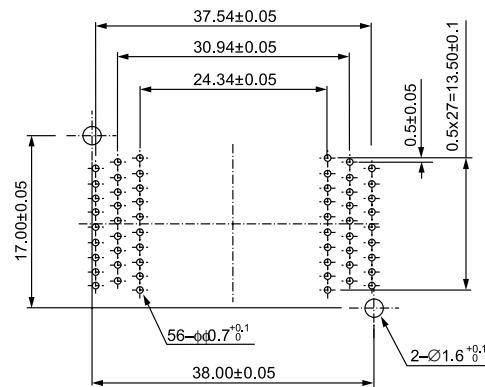
TSOP IC189-0562-067 (56 Pins)



TSOPII IC189-0542-093 (54 Pins)



TSOP IC189-0562-078 (56 Pins)

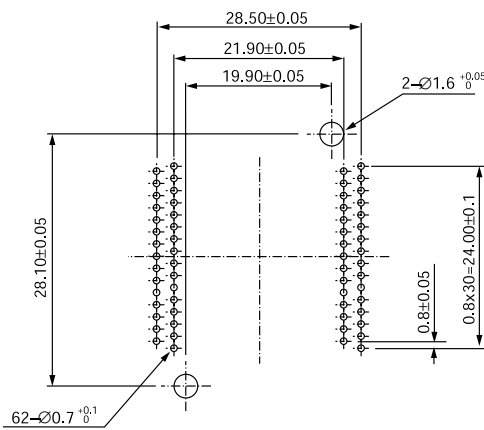


PC BOARD LAYOUTS

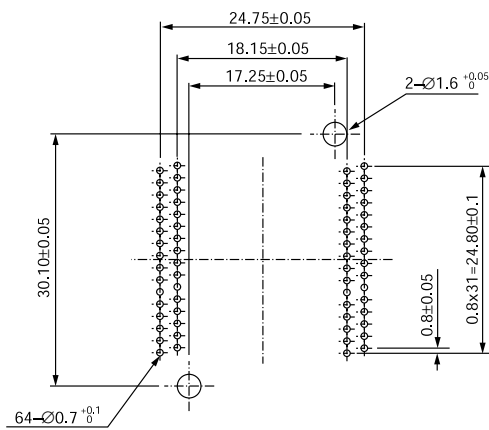
SOP / SOIC

IC189 Series

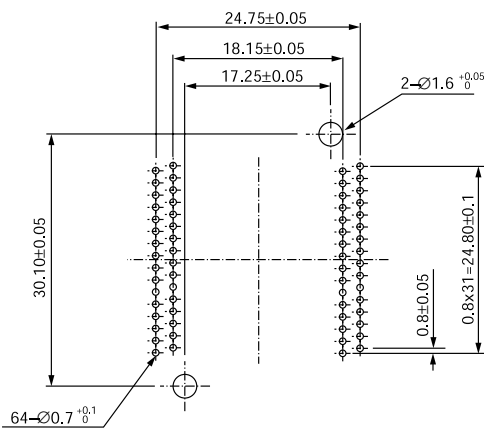
TSOP II IC189-0622-084 (62 Pins)



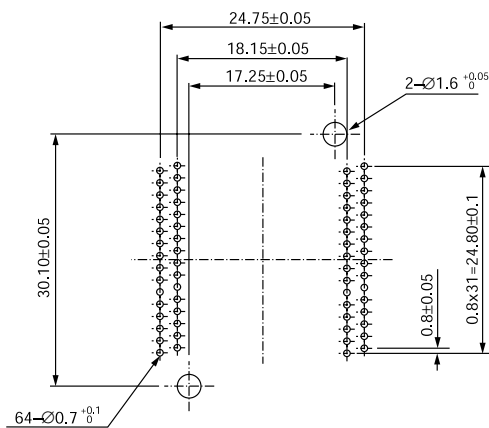
SOP IC189-0642-028 (64 Pins)



SOP IC189-0642-007 (64 Pins)



SOP IC189-0642-041 (64 Pins)

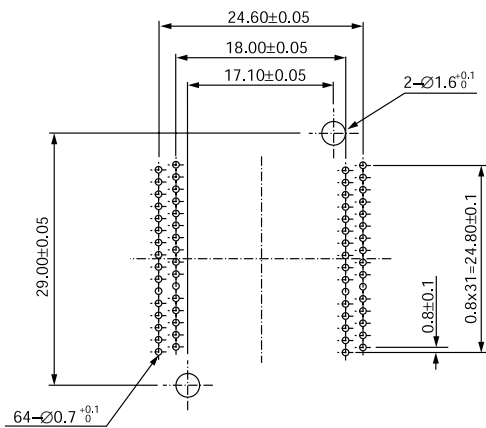


SOP / SOIC

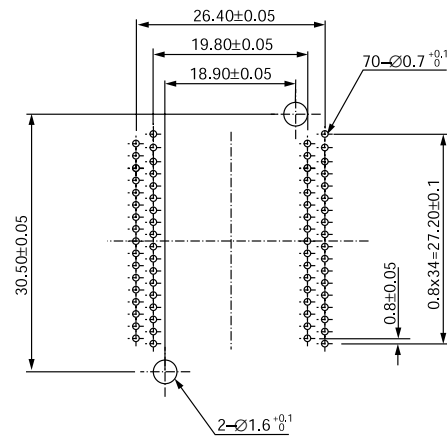
IC189 Series

PC BOARD LAYOUTS

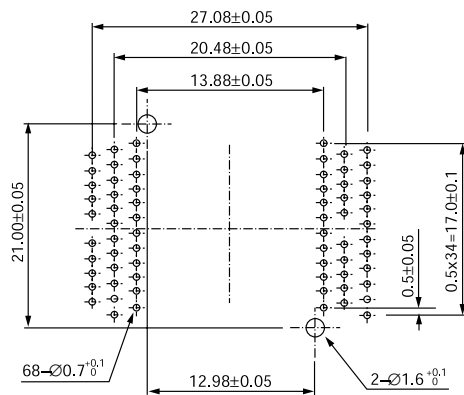
SSOP IC189-0642-069 (64 Pins)



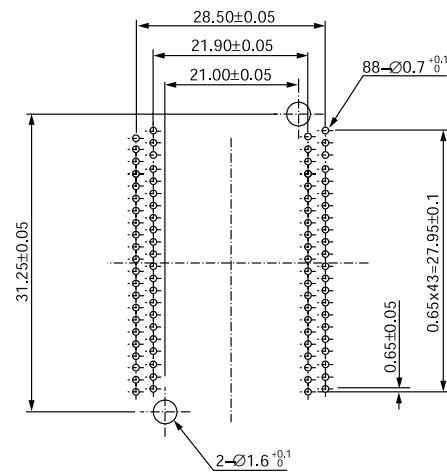
SSOP IC189-0702-074 (70 Pins)



TSOP I IC189-0682-097 (68 Pins)



TSOP II IC189-0882-099 (88 Pins)



Mouser Electronics

Authorized Distributor

Click to View Pricing, Inventory, Delivery & Lifecycle Information:

[Yamaichi Electronics:](#)

[IC189-0282-042](#) [IC189-0642-007](#)