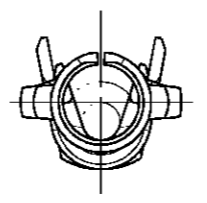
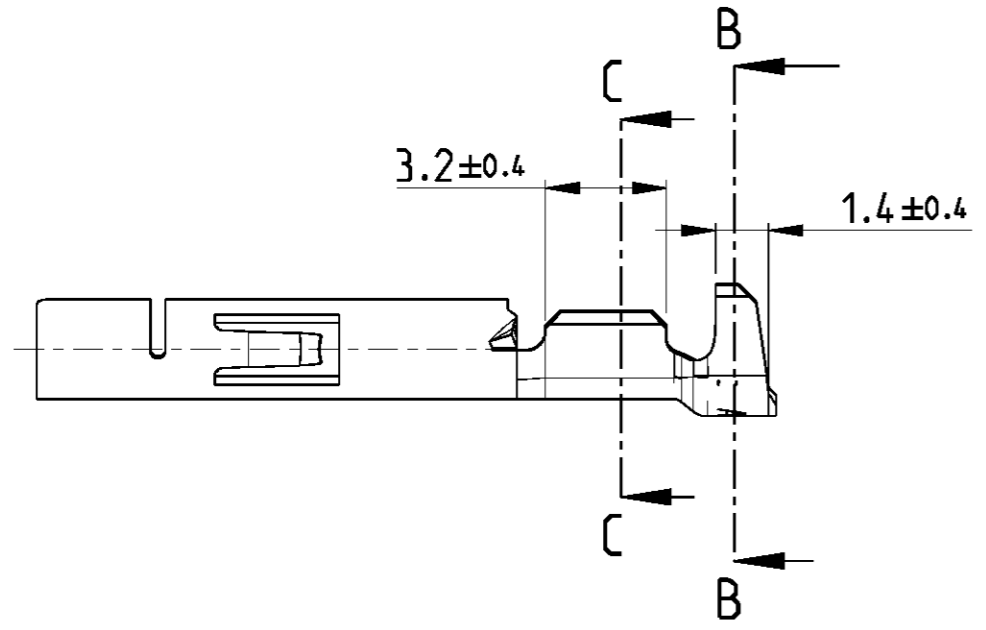


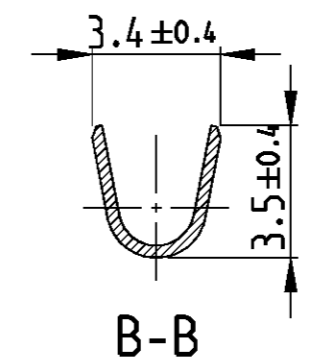
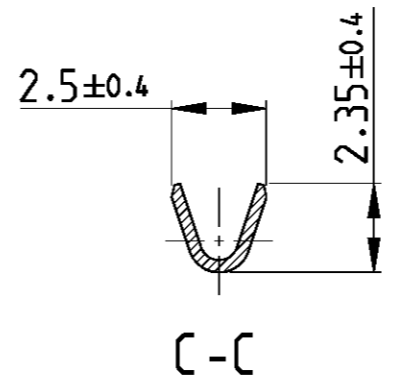
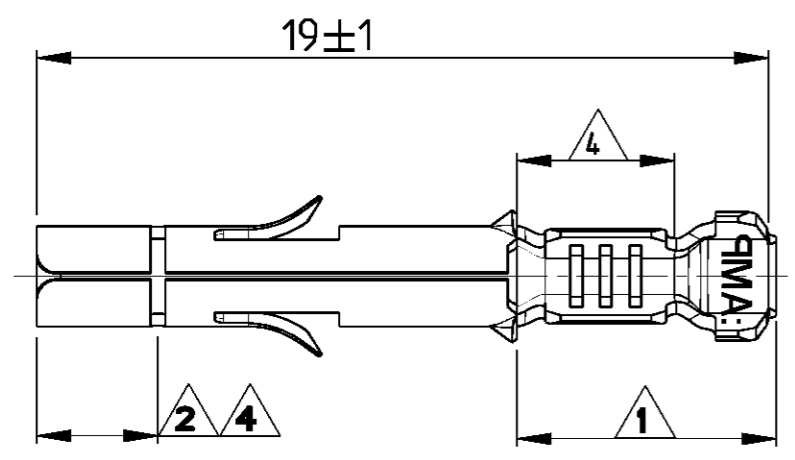
THIS DRAWING IS UNPUBLISHED
 RELEASED FOR PUBLICATION
 © COPYRIGHT - BY - ALL RIGHTS RESERVED.

LOC	DIST	REVISIONS			
P	LTR	DESCRIPTION	DATE	DWN	APVD
IR	-	G1	REVISED PER ECO-11-005301	14APR11	RK HMR



Notes:

- 1 Sn over Ni in the crimp zone
- 2 Gold over nickel in the contact zone
- 3. For insulation Ø1.0-2.5mm suitable
- 4 Au over Ni in the wire crimp and contact zones, otherwise 1.3µm Ni



OBSOLETE

1 2	Brass	926895-7
1 2	Phosphor Bronze	926895-6
Pre-tin plated	Phosphor Bronze	926895-3
4	Brass	926895-2
Pre-tin plated	Brass	926895-1
Finish	Material	Part no.
Colour		

DIMENSIONS: mm		TOLERANCES UNLESS OTHERWISE SPECIFIED: ±0.2 ±0.1 ±0.1 ±0.1 ±0.1 ANGLES ±1° 30' FINISH See table		DWN J. Salo 10NOV2008 CHK R. Sole 10NOV2008 APVD P.F. Grassano 10NOV2008 PRODUCT SPEC 108-1031 APPLICATION SPEC 114-1010 WEIGHT -					
MATERIAL See table		FINISH See table		NAME Universal M-N-L socket 0.2-0.8 SQ.MM wire range		SIZE A3	CAGE CODE -	DRAWING NO 926895	RESTRICTED TO -
CUSTOMER DRAWING						SCALE 5:1	SHEET 1 OF 1	REV G1	