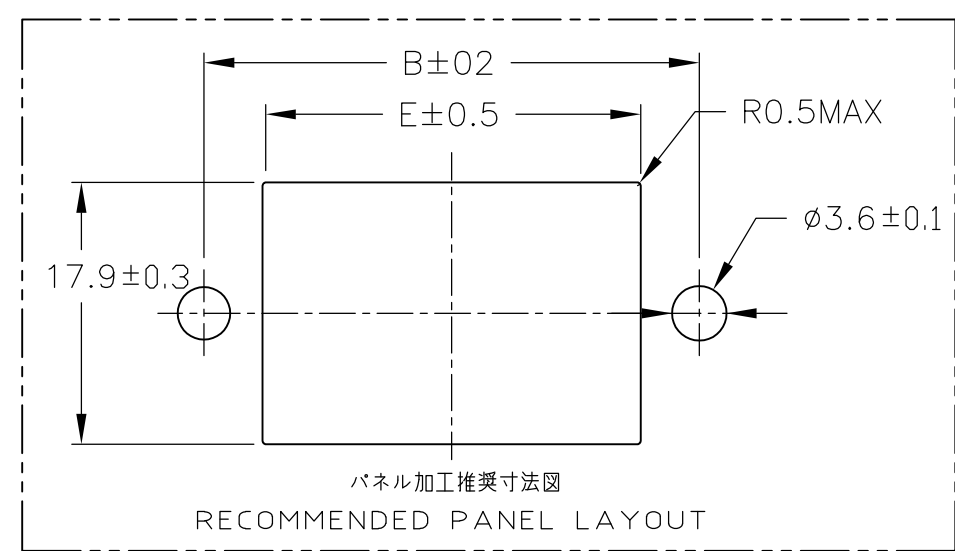
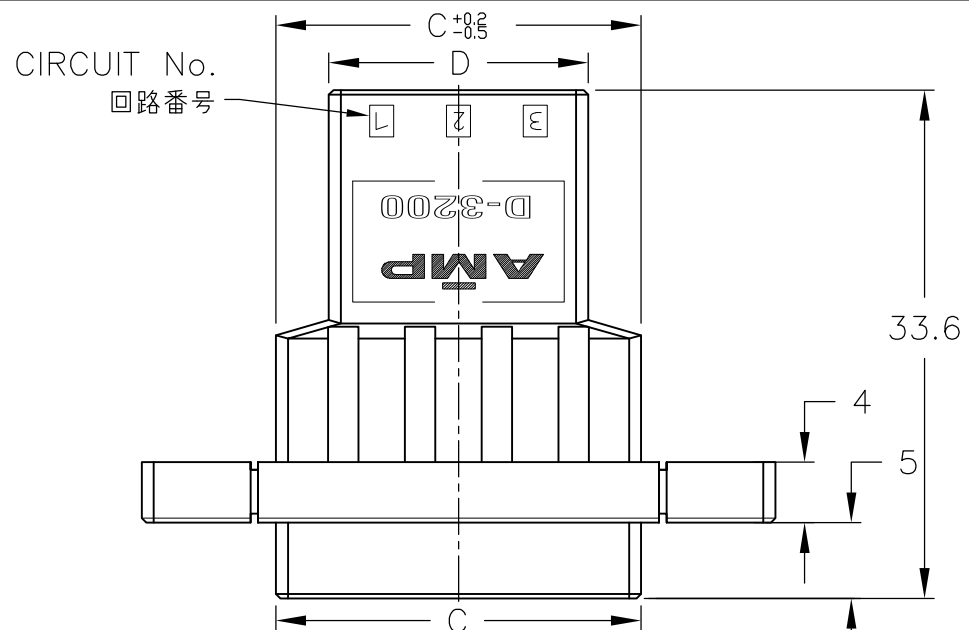
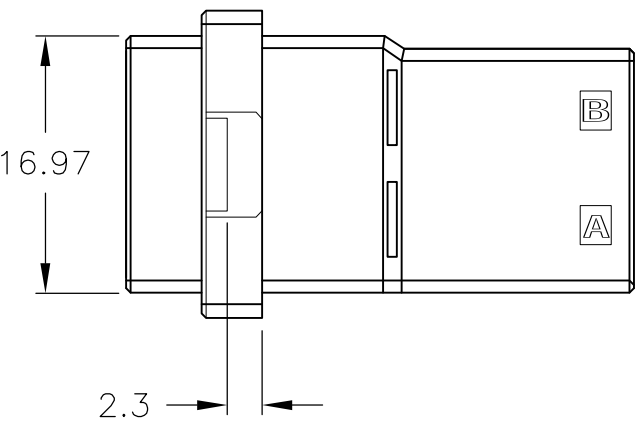
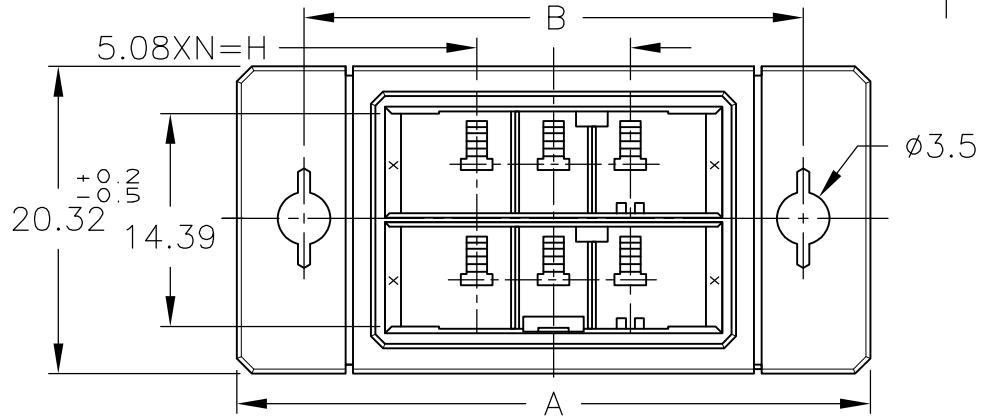


THIS DRAWING IS UNPUBLISHED. RELEASED FOR PUBLICATION
 © COPYRIGHT 1994 By - ALL RIGHTS RESERVED.

LOC	DIST	REVISIONS					
J	-	P	LTR	DESCRIPTION	DATE	DWN	APVD
		E3		REVISED PER ECO-11-005030	11MAR11	RK	HMR

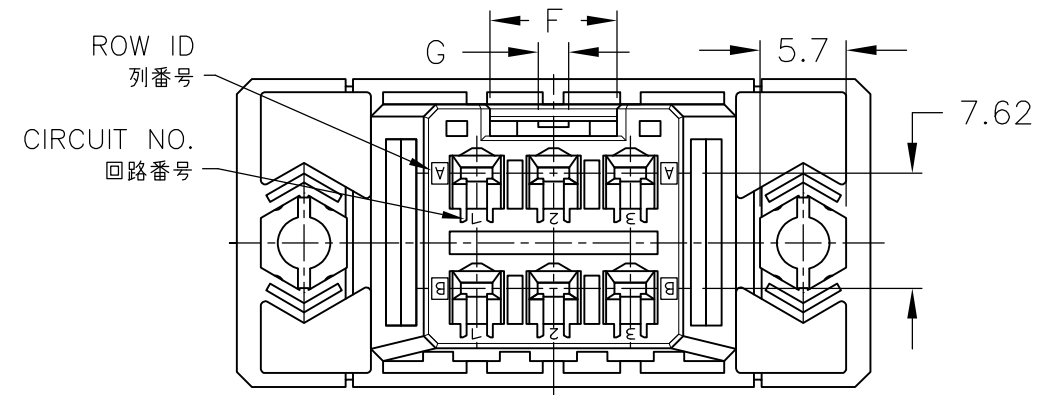
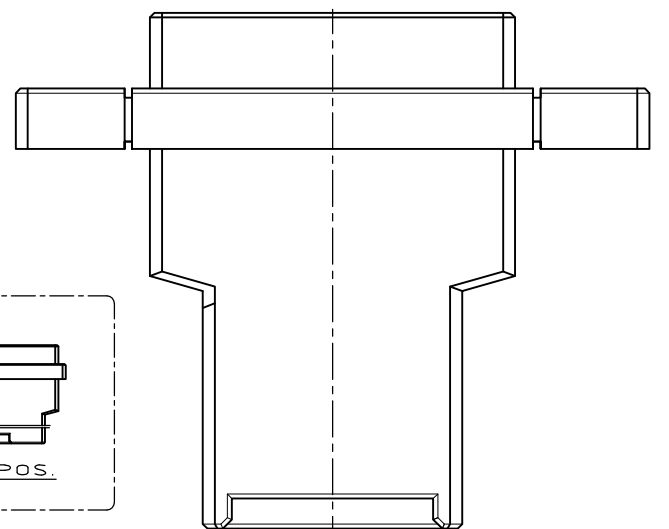
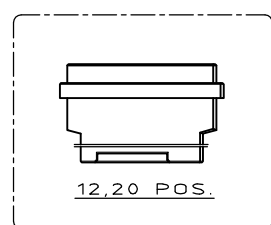


	XX	1-179555-8
	XY	3-179555-6
	YY	2-179555-6
	XX	1-179555-6
	ZZ	4-179555-3
	XY	3-179555-3
	YY	2-179555-3
	XX	1-179555-3
キーイングパターン KEYING PATTERN	キー KEY	型番 PART NUMBER



- 1 MATERIAL: GLASS FILLED THERMO PLASTIC, POLYESTER
COLOR: BLACK
- 2 PANEL ATTACHMENT RECOMMENDATION M3 SCREW
- 1 材料: ガラス入り熱可塑性ポリエステル樹脂 色: 黒
- 2 パネル取付推奨ネジ M3

20	78.23	70	59.72	52.72	61	18.4	4	45.72	9	1-179555-8
12	57.91	49	39.40	32.40	41	18.4	4	25.40	5	3-179555-6
12	57.91	49	39.40	32.40	41	18.4	4	25.40	5	2-179555-6
12	57.91	49	39.40	32.40	41	18.4	4	25.40	5	1-179555-6
6	41.91	33	24.16	17.00	25	8.4	2	10.16	2	4-179555-3
6	41.91	33	24.16	17.16	25	8.4	2	10.16	2	3-179555-3
6	41.91	33	24.16	17.16	25	8.4	2	10.16	2	2-179555-3
6	41.91	33	24.16	17.16	25	8.4	2	10.16	2	1-179555-3
極数 POS.	A	B	C	D	E	F	G	H	N	型番 PART NUMBER



THIS DRAWING IS A CONTROLLED DOCUMENT.

DWN N.MATSUBARA 31JAN1994
 CHK S.MANABE 1FEB1994
 APVD S.MANABE 1FEB1994

STE TE Connectivity

NAME パネルマウントタイプ タブハウジング ダイナミック 3200シリーズ
 WIRE TO WIRE TAB HSG FOR DYNAMIC D-3200
 PANEL MOUNT TYPE

PRODUCT SPEC 108-5349
 APPLICATION SPEC 114-5148

SIZE A3 CAGE CODE 00779 DRAWING NO. C-179555 RESTRICTED TO -

WEIGHT CUSTOMER DRAWING SCALE 2:1 SHEET 1 OF 1 REV E3

DIMENSIONS: mm TOLERANCES UNLESS OTHERWISE SPECIFIED:
 0-PLC $\pm 10 \pm 0.2$
 1-PLC <math>10 < \pm 30 \pm 0.25</math>
 2-PLC <math>30 < \pm 0.3</math>
 3-PLC \pm
 4-PLC \pm
 ANGLES $\pm 3^\circ$
 MATERIAL 1 FINISH