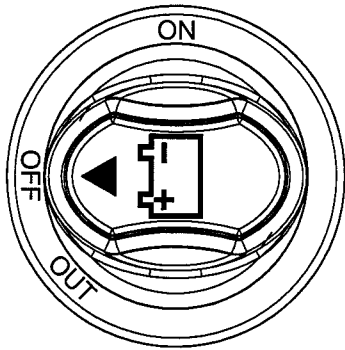
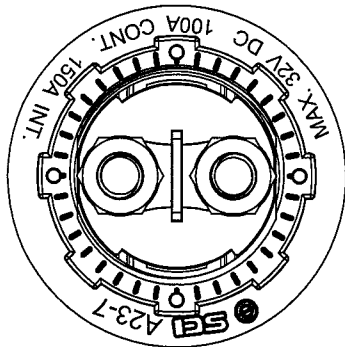
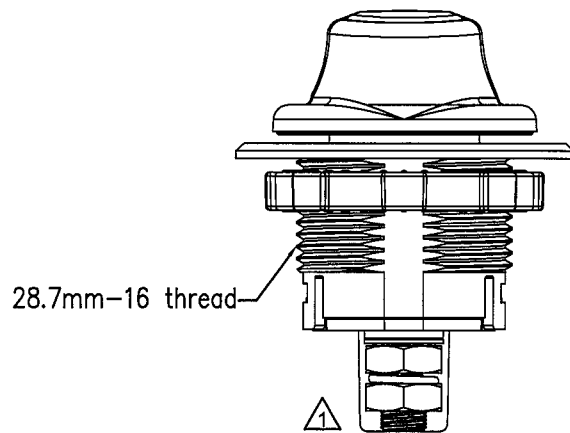
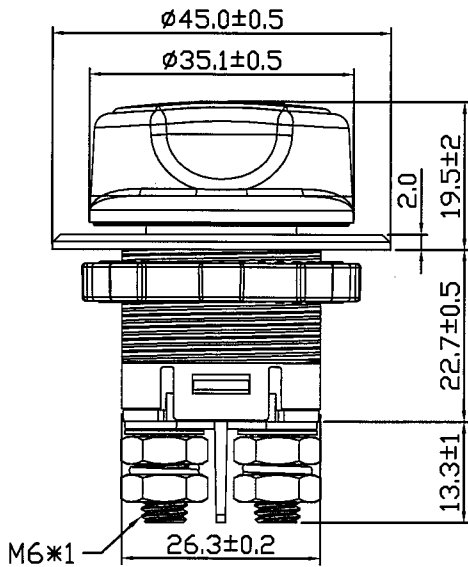


Continuous Rating	100A 32VDC Max.		Circuit Diagram		
Intermittent Rating	150 Amps		OFF	ON	
Cranking Rating	500 Amps 5 sec.				
Contact Resistance	50m ohm Max				
Insulation Resistance	DC 500V 100M ohm Min				
Dielectric Strength	AC 1000V 1 minute, DC 2000V 1 minute				
Operation Temperature	-30°C~+60°C				
Switch Function	2P SPST OFF-ON				



**\*MATERIAL:**  
Housing: Black, PA#66+33%GF with White hot stamping  
Actuator: Red, PBT+15%GF  
Name Plate: White, ABS with Black hot stamping  
Bottom: Black, PBT+15%GF  
Nut: Black, PA#66  
Bolt: Brass  
Hex Nut: Ni-plated, Brass

1 NUT ASSY



tolerances Unless otherwise specified ±0.3

C3\WORK14\A23-7B

05/27/16	曹盈芳	依營業Judy要求, 加高本體隔板高度				△
Date	Name	Descriptions				△
Drawn	Checked	Approved	SCI BOM No.	1340043	Model Name	Battery SWITCH
曹盈芳		<i>[Signature]</i>	Customer No.		Model No.	A23-7B
05/27/16		5/27/16	Unit	mm	SHIN CHIN INDUSTRIAL CO., LTD.	
						REV. 1

# Mouser Electronics

Authorized Distributor

Click to View Pricing, Inventory, Delivery & Lifecycle Information:

[Shin Chin:](#)

[A23-7B](#)