

## TPS61500 High-Brightness, LED Driver With Integrated 3-A, 40-V Power Switch

### 1 Features

- 2.9-V to 18-V Input Voltage Range
- 3-A, 40-V Internal Power Switch
  - Four 3-W LEDs From 5-V Input
  - Eight 3-W LEDs From 12-V Input
- High-Efficiency Power Conversion: Up to 93%
- Frequency Set by External Resistor: 200 kHz to 2.2 MHz
- User-Defined Soft Start Into Full Load
- Programmable Overvoltage Protection
- Analog and Pure PWM Brightness Dimming
- 14-Pin HTSSOP Package With PowerPAD™

### 2 Applications

- Monitor Backlight
- 1-W or 3-W High-Brightness LED

### 3 Description

The TPS61500 is a monolithic switching regulator with integrated 3-A, 40-V power switch. It is an ideal driver for high brightness 1-W or 3-W LED. The device has a wide input voltage range to support application with input voltage from multi-cell batteries or regulated 5-V or 12-V power rails.

The LED current is set with an external sensor resistor R3, and the feedback voltage that is regulated to 200 mV by current mode PWM (pulse width modulation) control loop, as shown in [Typical Application Circuit](#). The device supports analog and pure PWM dimming methods for LED brightness control. Connecting a capacitor to the DIMC pin configures the device to be used for analog dimming, and the LED current varies proportional to the duty cycle of an external PWM signal. Floating the DIMC pin configures the device for pure PWM dimming with the average LED current being the PWM signal's duty cycle times a set LED current.

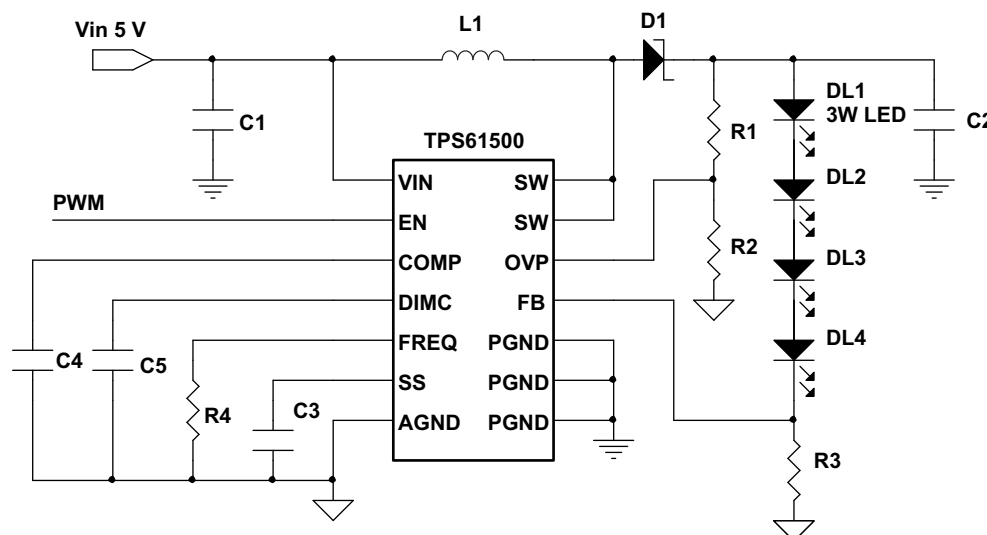
The device features a programmable soft-start function to limit inrush current during start-up, and it has other built-in protection features, such as pulse-by-pulse overcurrent limit, overvoltage protection, and thermal shutdown. The TPS61500 is available in 14-pin HTSSOP package with PowerPAD.

#### Device Information<sup>(1)</sup>

PART NUMBER	PACKAGE	BODY SIZE (NOM)
TPS61500	HTSSOP (14)	5.00 mm x 4.40 mm

(1) For all available packages, see the orderable addendum at the end of the data sheet.

#### Typical Application Circuit



## Table of Contents

<b>1 Features</b> .....	<b>1</b>	7.4 Device Functional Modes.....	<b>11</b>
<b>2 Applications</b> .....	<b>1</b>	<b>8 Application and Implementation</b> .....	<b>12</b>
<b>3 Description</b> .....	<b>1</b>	8.1 Application Information.....	<b>12</b>
<b>4 Revision History</b> .....	<b>2</b>	8.2 Typical Applications .....	<b>12</b>
<b>5 Pin Configuration and Functions</b> .....	<b>3</b>	<b>9 Power Supply Recommendations</b> .....	<b>18</b>
<b>6 Specifications</b> .....	<b>4</b>	<b>10 Layout</b> .....	<b>18</b>
6.1 Absolute Maximum Ratings .....	4	10.1 Layout Guidelines .....	18
6.2 ESD Ratings.....	4	10.2 Layout Example .....	18
6.3 Recommended Operating Conditions.....	4	10.3 Thermal Considerations.....	19
6.4 Thermal Information .....	5	<b>11 Device and Documentation Support</b> .....	<b>20</b>
6.5 Electrical Characteristics.....	5	11.1 Device Support.....	20
6.6 Typical Characteristics.....	7	11.2 Trademarks .....	20
<b>7 Detailed Description</b> .....	<b>9</b>	11.3 Electrostatic Discharge Caution.....	20
7.1 Overview .....	9	11.4 Glossary .....	20
7.2 Functional Block Diagram .....	9	<b>12 Mechanical, Packaging, and Orderable Information</b> .....	<b>20</b>
7.3 Feature Description.....	10		

## 4 Revision History

NOTE: Page numbers for previous revisions may differ from page numbers in the current version.

### Changes from Revision E (March 2018) to Revision F Page

- Editorial changes only, no technical revisions ..... **1**

### Changes from Revision D (June 2017) to Revision E Page

- Changed ground symbol of R3 change from PGND to AGND in *Typical Application Circuit* ..... **1**
- Changed ground symbol of R3 change from PGND to AGND in *Figure 7* ..... **12**
- Changed ground symbol of R3 change from PGND to AGND in *Figure 11* ..... **17**

### Changes from Revision C (March 2015) to Revision D Page

- Changed "Analog and PWM dimming frequency" to "PWM dimming frequency" in ROC table; add separate row for "Analog dimming frequency"..... **4**
- Added sentence at end of *Analog Dimming Method* ..... **11**

### Changes from Revision B (March 2012) to Revision C Page

- Added *Pin Configuration and Functions* section, *ESD Ratings* table, *Feature Description* section, *Device Functional Modes*, *Application and Implementation* section, *Power Supply Recommendations* section, *Layout* section, *Device and Documentation Support* section, and *Mechanical, Packaging, and Orderable Information* section ..... **1**

### Changes from Revision A (February 2012) to Revision B Page

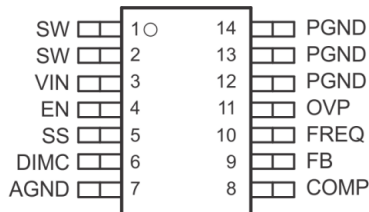
- Changed the ORDERING INFORMATION table PACKAGE MARKING From: TPS61500PWP To: 61500 ..... **1**

### Changes from Original (December 2008) to Revision A Page

- Replaced the *Dissipation Ratings* Table with *Thermal Information*..... **4**

## 5 Pin Configuration and Functions

**PWP Package**  
**14-Pin HTSSOP With Thermal Pad**  
**Top View**



### Pin Functions

PIN		I/O	DESCRIPTION
NAME	NO.		
AGND	7	I	Signal ground of the IC
COMP	8	O	Output of the transconductance error amplifier. An external RC network is connected to this pin.
DIMC	6	I	Analog and PWM dimming method option pin. A capacitor connected to the pin to set the time constant of reference for analog dimming. Float this pin for PWM dimming.
EN	4	I	Enable pin. When the voltage of this pin falls below the enable threshold for more than 10 ms, the IC turns off. This pin is also used for PWM signal input for LED brightness dimming.
FB	9	I	Feedback pin for positive voltage regulation. A resistor connects to this pin to program LED current.
FREQ	10	O	Switch frequency program pin. An external resistor is connected to this pin. See <a href="#">Application Information</a> for information on how to size the FREQ resistor.
OVP	11	I	Overvoltage protection for LED driver. The voltage is 1.229 V. Using a resistor divider can program the threshold of OVP.
PGND	12-14	I	Power ground of the IC. It is connected to the source of the PWM switch.
SS	5	O	Soft start programming pin. A capacitor between the SS pin and GND pin programs soft-start timing. See <a href="#">Application and Implementation</a> for information on how to size the SS capacitor
SW	1, 2	I	This is the switching node of the IC. Connect SW to the switched side of the inductor.
Thermal Pad	—	—	Solder the thermal pad to the analog ground. If possible, use thermal via to connect to top and internal ground plane layers for ideal power dissipation.
VIN	3	I	The input pin to the IC. Connect VIN to a supply voltage between 2.9 V and 18 V. It is acceptable for the voltage on the pin to be different from the boost power stage input for applications requiring voltage beyond $V_{IN}$ range.

## 6 Specifications

### 6.1 Absolute Maximum Ratings

over operating free-air temperature range (unless otherwise noted) <sup>(1)</sup>

	MIN	MAX	UNIT
Supply voltages on pin VIN <sup>(2)</sup>	-0.3	20	V
Voltages on pins EN <sup>(2)</sup>	-0.3	20	V
Voltage on pin FB, FREQ and COMP, OVP <sup>(2)</sup>	-0.3	3	V
Voltage on pin DIMC, SS <sup>(2)</sup>	-0.3	7	V
Voltage on pin SW <sup>(2)</sup>	-0.3	40	V
Continuous power dissipation	See <a href="#">Thermal Information</a>		
Operating junction temperature	-40	150	°C
Storage temperature, T <sub>stg</sub>	-65	150	°C

- (1) Stresses beyond those listed under *Absolute Maximum Ratings* may cause permanent damage to the device. These are stress ratings only and functional operation of the device at these or any other conditions beyond those indicated under *Recommended Operating Conditions* is not implied. Exposure to absolute-maximum-rated conditions for extended periods may affect device reliability.
- (2) All voltage values are with respect to network ground terminal.

### 6.2 ESD Ratings

			VALUE	UNIT
V <sub>(ESD)</sub>	Electrostatic discharge	Human body model (HBM), per ANSI/ESDA/JEDEC JS-001 <sup>(1)</sup>	±2000	V
		Charged-device model (CDM), per JEDEC specification JESD22-C101 <sup>(2)</sup>	±500	

- (1) JEDEC document JEP155 states that 500-V HBM allows safe manufacturing with a standard ESD control process.
- (2) JEDEC document JEP157 states that 250-V CDM allows safe manufacturing with a standard ESD control process.

### 6.3 Recommended Operating Conditions

		MIN	NOM	MAX	UNIT
V <sub>IN</sub>	Input voltage	2.9		18	V
V <sub>O</sub>	Output voltage	V <sub>IN</sub>		38	V
L	Inductor <sup>(1)</sup>	4.7		47	μH
C <sub>I</sub>	Input capacitor	4.7		—	μF
C <sub>O</sub>	Output capacitor	4.7		10	μF
C <sub>dim</sub>	Analog dimming capacitor <sup>(2)</sup>	0.1		—	μF
PWM	PWM dimming frequency <sup>(3)</sup>	200		1000	Hz
	Analog dimming frequency <sup>(3)</sup>	200		40 000	
T <sub>A</sub>	Operating ambient temperature	-40		85	°C
T <sub>J</sub>	Operating junction temperature	-40		125	°C

- (1) The inductance value depends on the switching frequency and end applications. While larger values may be used, values between 4.7 μH and 47 μH have been successfully tested in various applications. Refer to [Selecting the Inductor](#) for details.
- (2) The C<sub>dim</sub> with the internal resistor (25 kΩ typical) forms a RC filter that generates the FB reference voltage according to the duty cycle of PWM signal. To optimize the RC filter and reduce the output ripple, the value larger than 0.1 μF of C<sub>dim</sub> is recommended.
- (3) When analog dimming, the maximum PWM frequency is set by on the RC filter to optimize the output ripple. When PWM dimming, the PWM frequency is set by the device loop response.

## 6.4 Thermal Information

THERMAL METRIC <sup>(1)</sup>		TPS61500	UNIT
		PWP (HTSSOP)	
		14 PINS	
R <sub>θJA</sub>	Junction-to-ambient thermal resistance	45.2	°C/W
R <sub>θJC(top)</sub>	Junction-to-case (top) thermal resistance	34.9	°C/W
R <sub>θJB</sub>	Junction-to-board thermal resistance	30.1	°C/W
ψ <sub>JT</sub>	Junction-to-top characterization parameter	1.5	°C/W
ψ <sub>JB</sub>	Junction-to-board characterization parameter	29.9	°C/W
R <sub>θJC(bot)</sub>	Junction-to-case (bottom) thermal resistance	5.8	°C/W

(1) For more information about traditional and new thermal metrics, see the [Semiconductor and IC Package Thermal Metrics](#) application report.

## 6.5 Electrical Characteristics

FSW = 1.2 MHz (Rfreq = 80 kΩ), V<sub>in</sub> = 3.6 V, CRTL = V<sub>in</sub>, T<sub>A</sub> = –40°C to +85°C, typical values are at T<sub>A</sub> = 25°C (unless otherwise noted)

PARAMETER		TEST CONDITIONS	MIN	TYP	MAX	UNIT
<b>SUPPLY CURRENT</b>						
V <sub>IN</sub>	Input voltage range		2.9		18	V
I <sub>Q</sub>	Operating quiescent current into VIN	Device PWM switching without load, V <sub>IN</sub> = 3.6 V			3.5	mA
I <sub>SD</sub>	Shutdown current	EN = GND, V <sub>IN</sub> = 3.6 V			1.5	μA
V <sub>UVLO</sub>	Undervoltage lockout threshold	V <sub>IN</sub> falling		2.5	2.7	V
V <sub>hys</sub>	Undervoltage lockout hysteresis			130		mV
<b>ENABLE AND REFERENCE CONTROL</b>						
V <sub>enh</sub>	EN logic high voltage	V <sub>IN</sub> = 2.9 V to 18 V	1.2			V
V <sub>enl</sub>	EN logic low voltage	V <sub>IN</sub> = 2.9 V to 18 V			0.4	V
R <sub>en</sub>	EN pulldown resistor		400	800	1600	kΩ
T <sub>off</sub>	Shutdown delay, SS discharge	EN high to low	10			ms
<b>VOLTAGE AND CURRENT CONTROL</b>						
V <sub>REF</sub>	Voltage feedback regulation voltage		195	200	205	mV
I <sub>FB</sub>	Voltage feedback input bias current				200	nA
V <sub>EA_OFF</sub>	Error amplifier offset		–10	0	10	mV
I <sub>sink</sub>	COMP pin sink current	V <sub>FB</sub> = V <sub>REF</sub> + 200 mV, V <sub>COMP</sub> = 1 V		40		μA
I <sub>source</sub>	COMP pin source current	V <sub>FB</sub> = V <sub>REF</sub> – 200 mV, V <sub>COMP</sub> = 1 V		40		μA
V <sub>CCLP</sub>	COMP pin clamp voltage	High clamp		3		V
		Low clamp		0.75		
V <sub>CTH</sub>	COMP pin threshold	Duty cycle = 0%		0.95		V
G <sub>ea</sub>	Error amplifier transconductance		240	340	440	μmho
R <sub>ea</sub>	Error amplifier output resistance			10		MΩ
f <sub>ea</sub>	Error amplifier crossover frequency			500		kHz

**Electrical Characteristics (continued)**

FSW = 1.2 MHz (Rfreq = 80 kΩ), Vin = 3.6 V, CRTL = Vin, TA = –40°C to +85°C, typical values are at TA = 25°C (unless otherwise noted)

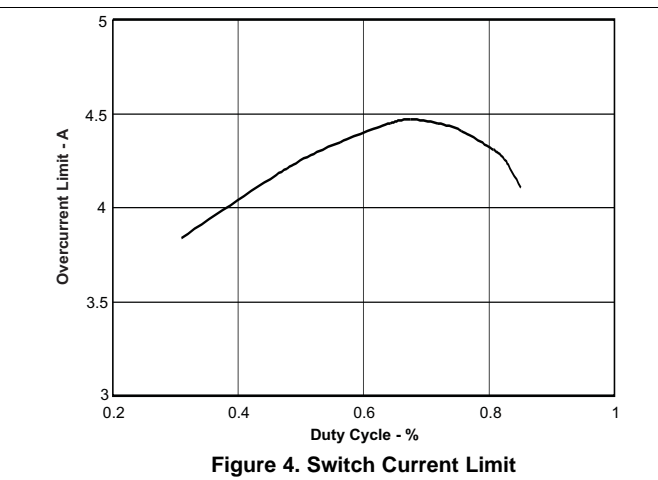
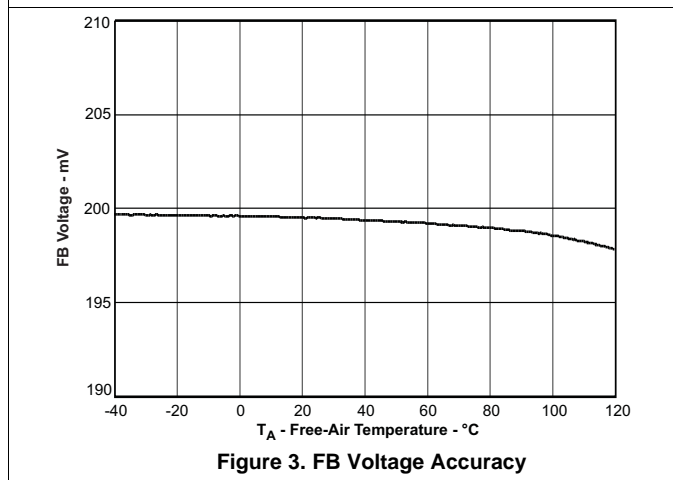
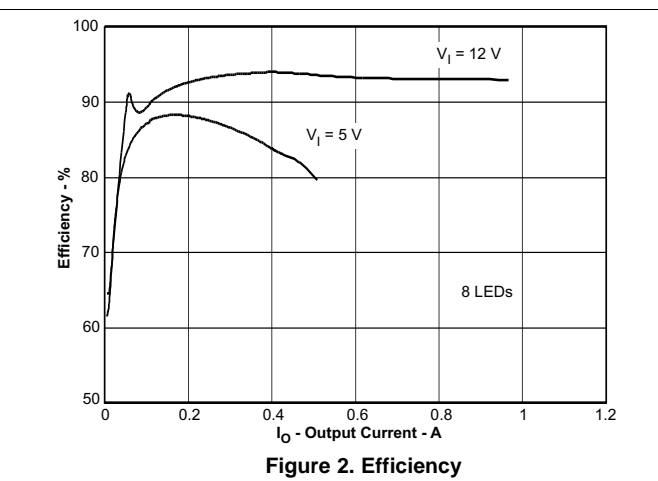
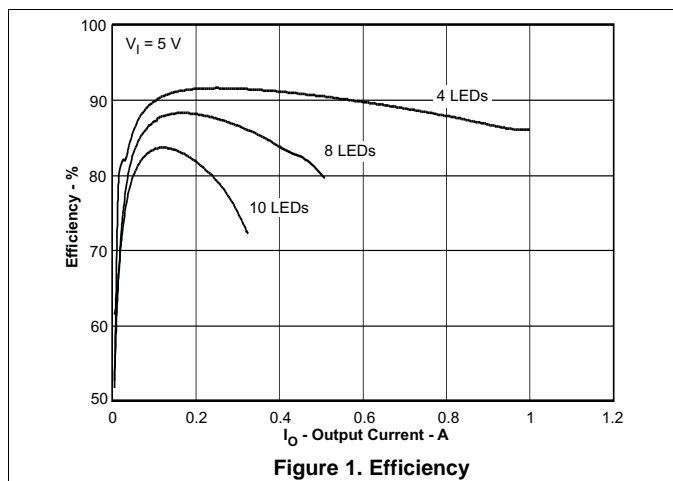
PARAMETER		TEST CONDITIONS	MIN	TYP	MAX	UNIT
<b>FREQUENCY</b>						
f <sub>S</sub>	Oscillator frequency	Rfreq = 480 kΩ Rfreq = 80 kΩ Rfreq = 40 kΩ	0.16 1.0 1.76	0.21 1.2 2.2	0.26 1.4 2.64	MHz
D <sub>max</sub>	Maximum duty cycle	Rfreq = 80 kΩ	89%	93%		
V <sub>FREQ</sub>	FREQ pin voltage			1.229		V
T <sub>min_on</sub>	Minimum on pulse width	Rfreq = 80 kΩ		60		ns
R <sub>dim_fil</sub>	Dimming filter resistance			25		kΩ
<b>POWER SWITCH</b>						
R <sub>DS(ON)</sub>	N-channel MOSFET on-resistance	V <sub>IN</sub> = V <sub>GS</sub> = 3.6 V		0.13	0.25	Ω
		V <sub>IN</sub> = V <sub>GS</sub> = 3 V			0.3	
I <sub>LN_NFET</sub>	N-channel leakage current	V <sub>DS</sub> = 40 V, T <sub>A</sub> = 25°C			1	μA
<b>OC, OVP and SS</b>						
I <sub>LIM</sub>	N-Channel MOSFET current limit	D = D <sub>max</sub>	3	3.8	5	A
I <sub>SS</sub>	Soft-start bias current	V <sub>SS</sub> = 0 V		6		μA
V <sub>OVP</sub>	Overvoltage protection threshold		1.192	1.229	1.266	V
V <sub>OVP_hys</sub>	Overvoltage protection hysteresis			40		mV
<b>THERMAL SHUTDOWN</b>						
T <sub>shutdown</sub>	Thermal shutdown threshold			160		°C
T <sub>hysteresis</sub>	Thermal shutdown threshold hysteresis			15		°C

## 6.6 Typical Characteristics

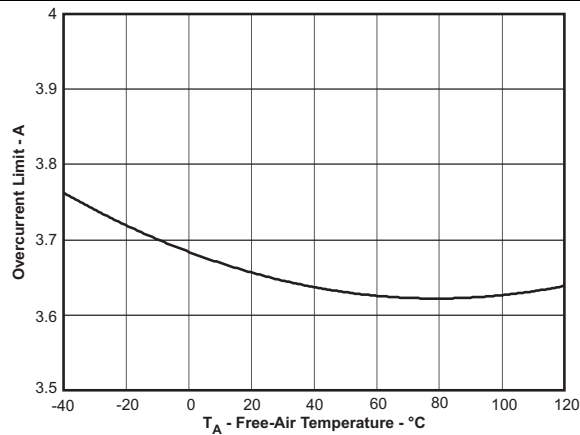
Table 1. Table of Graphs

		FIGURE
Efficiency	$V_{IN} = 5\text{ V}$ , 4 LEDs, 8 LEDs, 10 LEDs	Figure 1
Efficiency	$V_{IN} = 5\text{ V}$ , 12 V; $V_{OUT} = 8\text{ LEDs}$	Figure 2
FB voltage accuracy	vs Temperature	Figure 3
Switch current limit	vs Duty cycle	Figure 4
Switch current limit	vs Temperature	Figure 5

Circuit of [Typical Application Circuit](#); L1 = D104C2-10  $\mu\text{H}$ ; D1 = SS3P6L-E3/86A, R4 = 80 k $\Omega$ , C4 = 470 nF, C2 = 10  $\mu\text{F}$ , LED = OSRAM LCW W5SM,  $I_{LED} = 400\text{ mA}$ ; unless otherwise noted.



Circuit of *Typical Application Circuit*; L1 = D104C2-10  $\mu$ H; D1 = SS3P6L-E3/86A, R4 = 80 k $\Omega$ , C4 = 470 nF, C2 = 10  $\mu$ F, LED = OSRAM LCW W5SM, I<sub>LED</sub> = 400 mA; unless otherwise noted.



**Figure 5. Switch Current Limit**





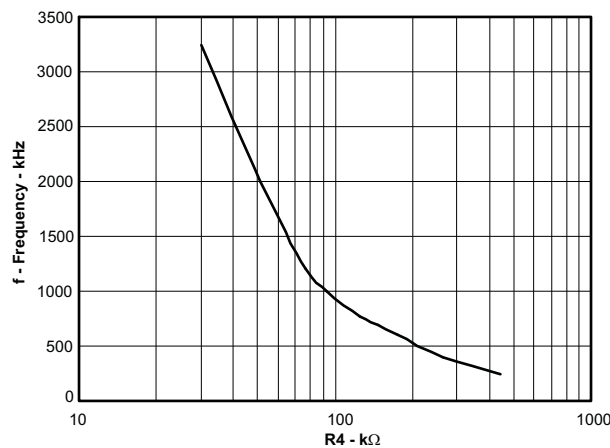
## 7.3 Feature Description

### 7.3.1 Switching Frequency

The switch frequency is determined by a resistor connected to the **FREQ** pin of the TPS61500. Do not leave this pin open. A resistor must always be connected for proper operation. See [Table 2](#) and [Figure 6](#) for resistor values and corresponding frequencies.

**Table 2. Switching Frequency vs External Resistor**

R4 (kΩ)	f <sub>sw</sub> (kHz)
443	240
256	400
176	600
80	1200
51	2000



**Figure 6. Switching Frequency vs External Resistor**

Increasing switching frequency reduces the value of external capacitors and inductors, but also reduces the power conversion efficiency. The user must set the frequency for compromise between efficiency and solution size.

### 7.3.2 Soft Start

The TPS61500 has a built-in soft-start circuit that significantly reduces the start-up current spike and output voltage overshoot. When the device is enabled, an internal bias current (typically 6 μA) charges a capacitor (C3) on the **SS** pin. The voltage at the capacitor clamps the output of the internal error amplifier that determines the duty cycle of PWM control, thereby the input inrush current is eliminated. Once the capacitor reaches 1.8 V, the soft-start cycle is completed, and the soft-start voltage no longer clamps the error amplifier output. Refer to [Figure 14](#) and [Figure 10](#) for the soft-start waveform. A 47-nF capacitor eliminates the output overshoot and reduces the peak inductor current for most applications.

When the **EN** is pulled low for 10 ms, the IC enters shutdown, and the **SS** capacitor discharges through a 5-kΩ resistor for the next soft start.

### 7.3.3 Enable and Thermal Shutdown

The TPS61500 enters shutdown when the **EN** voltage is less than 0.4 V for more than 10 ms. In shutdown, the input supply current for the device is less than 1.5 μA (maximum). The **EN** pin has an internal 800-kΩ pulldown resistor to disable the device when it is floating.

An internal thermal shutdown turns off the device when the typical junction temperature of 160°C is exceeded. The device restarts when the junction temperature drops by 15°C.

### 7.3.4 Undervoltage Lockout (UVLO)

An undervoltage lockout prevents mis-operation of the device at input voltages below typical 2.5 V. When the input voltage is below the undervoltage threshold, the device remains off and the internal switch FET is turned off. The undervoltage lockout threshold is set below minimum operating voltage of 2.9 V to avoid any transient VIN dip triggering the UVLO and causing the device to reset. For the input voltages between UVLO threshold and 2.9 V, the device maintains its operation, but the specifications are not ensured.

### 7.3.5 Overvoltage Protection

When the FB pin is shorted to ground or an LED fails open circuit, the output voltage can increase to potentially damaging voltages. To present the device and the output capacitor from exceeding the maximum voltage rating, utilize the OVP pin with an external resistor divider to program an OVP threshold, as shown in the typical application. The OVP pin is set at 1.229 V, and the OVP threshold should be higher than the normal operating output voltage.

## 7.4 Device Functional Modes

### 7.4.1 PWM Dimming Method

LED brightness is controlled by peak LED current and duty cycle of external PWM signal. See [Figure 11](#), [Figure 12](#), and [Figure 13](#), for the PWM dimming operating and linearity. Additional external switch FETs connect/disconnect LED string during PWM on/off period, shown in [Figure 7](#). Simultaneously, the TPS61500 samples and holds the COMP voltage to speed up LED current regulation during the on period. Because the device and the external switch FETs must have several hundred microseconds to regulate the LED current, the frequency and minimum duty cycle of the PWM signal are application dependent. For example, 2% is the minimum duty cycle for a 200-Hz PWM signal.

The PWM dimming method offers better control of color because current through LED is kept constant each cycle.

### 7.4.2 Analog Dimming Method

When capacitor C5 is connected to the DIMC pin, the FB regulation voltage is scaled proportional to the external PWM signal's duty cycle; therefore, it achieves LED brightness change, shown in [Figure 7](#). The relationship between the duty cycle and LED current is given by [Equation 1](#):

$$I_{LED} = \frac{V_{FB}}{R3} \times \text{Duty}$$

where

- Duty is the duty cycle of the PWM signal. (1)

The device chops up the internal 200-mV reference voltage at the duty cycle of the PWM signal. The pulsed reference voltage is then filtered by a low pass filter that is composed of an internal 25-kΩ resistor and the external capacitor C5. The output of the filter is connected to the error amplifier as the reference voltage for the FB pin. Therefore, although a PWM signal is used for brightness dimming, only the LED DC current is modulated. This eliminates the audible noise that often occurs when the LED current is pulsed during PWM dimming. Unlike other methods for filtering the PWM signal, the device analog dimming method is independent of the PWM logic voltage level which often has large variations.

For optimum performance, TI recommends that the value of C5 be as large as possible to provide adequate filtering for the PWM frequency. For example, when the PWM frequency is 5-kHz, C5 equal to 1 μF is sufficient. The recommended minimum PWM on time at start-up is 200 μs. After start-up, TI recommends a minimum PWM duty cycle of 1%.

## 8 Application and Implementation

### NOTE

Information in the following applications sections is not part of the TI component specification, and TI does not warrant its accuracy or completeness. TI's customers are responsible for determining suitability of components for their purposes. Customers should validate and test their design implementation to confirm system functionality.

### 8.1 Application Information

The TPS61500 integrates a 3-A, 40-V low-side switch FET for driving up to 10 high brightness LEDs in series. The device regulates the FB pin voltage at 200 mV with current mode PWM control, and the LED current is sensed through a low value resistor in series with LEDs. The TPS61500 supports analog and pure PWM dimming methods for LED brightness control. Connecting a capacitor to the DIMC pin configures the device to be used for analog dimming, and the LED current varies proportional to the duty cycle of an external PWM signal. Floating the DIMC pin configures the device for pure PWM dimming with the average LED current being the PWM signal's duty cycle times a set LED current.

### 8.2 Typical Applications

#### 8.2.1 Analog Dimming Method

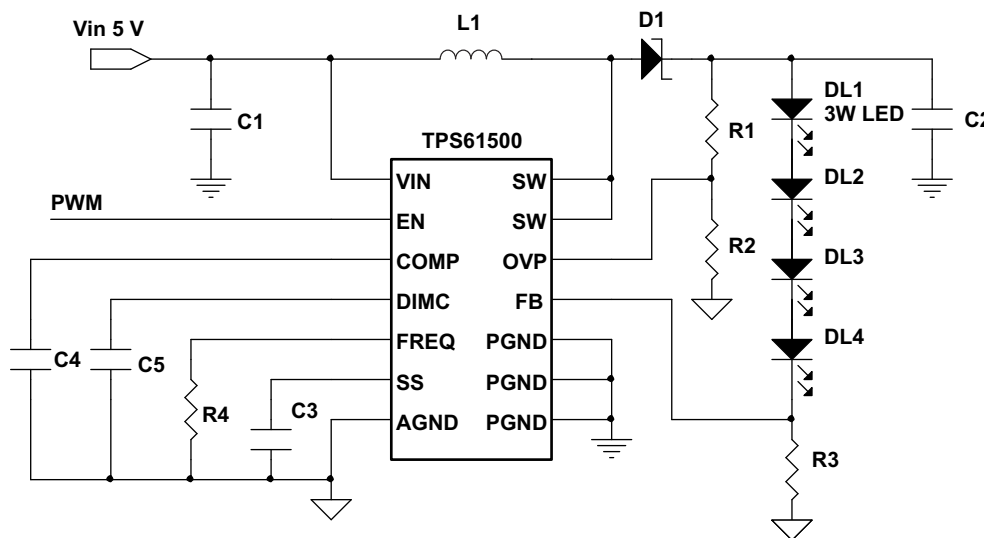


Figure 7. Analog Dimming Method

##### 8.2.1.1 Design Requirements

Table 3. Design Parameters

PARAMETERS	VALUES
Input voltage	5 V $\pm$ 20%
LED forward voltage	3.5 V
LED current	400 mA
Number of LEDs	4
Dimming method	Analog

### 8.2.1.2 Detailed Design Procedure

#### 8.2.1.2.1 Programming the Overvoltage Protection

Select the values of R1 and R2 according to [Equation 2](#).

$$V_{\text{OVP}} = 1.229 \text{ V} \times \left( \frac{R1}{R2} + 1 \right) \quad (2)$$

For example, the total forward voltage of four 3-W LED is 14V, then use R1 of 120 k and R2 of 10 k to program the threshold of 16 V. In the OVP mode, the device regulates the output voltage at the OVP threshold.

When the fault is clear and the OVP pin voltage falls 40 mV below 1.229 V, IC resumes the output regulation for LED current.

#### 8.2.1.2.2 Programming the LED Current

LED current can be determined by the value of the feedback resistor R3 and the FB pin regulation voltage of 200 mV as shown in [Equation 3](#):

$$I_{\text{LED}} = \frac{V_{\text{FB}}}{R3} \quad (3)$$

The output current tolerance depends on the FB accuracy and the current sensor resistor accuracy.

#### 8.2.1.2.3 Implementing Dimming

The TPS61500 provides two LED current dimming methods.

- Floating the DIMC pin, an external PWM signal via the EN pin, providing pure PWM dimming method.
- Connecting a capacitor larger than 100-nF to the DIMC pin, an external PWM signal via the EN pin, providing analog dimming. In this application, a 1-μF capacitor is connected to the DIMC pin.

#### 8.2.1.2.4 Computing the Maximum Output Current

The overcurrent limit in a boost converter limits the maximum input current and thus maximum input power for a given input voltage. Maximum output power is less than maximum input power due to power conversion losses. Therefore, the current limit setting, input voltage, output voltage and efficiency can all change maximum current output. The current limit clamps the peak inductor current; therefore, the ripple has to be subtracted to derive maximum DC current. The ripple current is a function of switching frequency, inductor value and duty cycle. [Equation 4](#) and [Equation 5](#) take into account of all the above factors for maximum output current calculation.

$$I_p = \frac{1}{\left[ L \times F_s \times \left( \frac{1}{V_{\text{out}} + V_f} - \frac{1}{V_{\text{in}}} + \frac{1}{V_{\text{in}}} \right) \right]}$$

where

- $I_p$  = inductor peak-to-peak ripple
- $L$  = inductor value
- $V_f$  = Schottky diode forward voltage
- $F_s$  = switching frequency
- $V_{\text{out}}$  = output voltage =  $\sum V_{\text{LEDs}} + V_{\text{REF}}$  (4)

$$I_{\text{LED\_max}} = \frac{V_{\text{in}} \times (I_{\text{lim}} - I_p/2) \times \eta}{V_{\text{out}}}$$

where

- $I_{\text{LED\_max}}$  = maximum LED current from the boost converter
- $I_{\text{lim}}$  = overcurrent limit
- $V_{\text{LED}}$  = LED forward voltage at  $I_{\text{LED}}$
- $\eta$  = efficiency estimate based on similar applications (5)

For instance, when  $V_{\text{IN}}$  is 12 V, 8 LEDs output is equivalent to  $V_{\text{OUT}}$  of 24 V, the inductor is 10 μH, the Schottky forward voltage is 0.4 V, and the switching frequency is 1.2 MHz; then the maximum output current is approximately 1 A in typical condition.

### 8.2.1.2.5 Selecting the Inductor

The selection of the inductor affects steady state operation as well as transient behavior and loop stability. These factors make it the most important component in power regulator design. There are three important inductor specifications, inductor value, DC resistance, and saturation current. Considering inductor value alone is not enough.

Inductor values can have  $\pm 20\%$  tolerance with no current bias. When the inductor current approaches saturation level, its inductance can fall to some percentage of its 0-A value depending on how the inductor vendor defines saturation current.

Using an inductor with a smaller inductance value forces discontinuous PWM where the inductor current ramps down to zero before the end of each switching cycle. This reduces the maximum output current of the boost converter, causes large input voltage ripple and reduces efficiency. In general, large inductance value provides much more output and higher conversion efficiency. Small inductance value can give better the load transient response. For these reasons, TI recommends a 4.7- $\mu\text{H}$  to 22- $\mu\text{H}$  inductor value range. [Table 4](#) lists the recommended inductor for the TPS61500.

Meanwhile, the TPS61500 can program the switching frequency. Normally, small inductance value is suitable for high frequency and vice versa. The device has built-in slope compensation to avoid sub-harmonic oscillation associated with current mode control. If the inductor value is lower than 4.7  $\mu\text{H}$ , the slope compensation may not be adequate, and the loop can be unstable. Therefore, customers should verify the inductor in their application if it is different from the recommended values.

**Table 4. Recommended Inductors for TPS61500**

PART NUMBER	L ( $\mu\text{H}$ )	DCR MAX (m $\Omega$ )	SATURATION CURRENT (A)	SIZE (L x W x H mm)	VENDOR <sup>(1)</sup>
D104C2	10	44	3.6	10.4 x 10.4 x 4.8	TOKO
VLF10040	15	42	3.1	10.0 x 9.7 x 4.0	TDK
CDRH105RNP	22	61	2.9	10.5 x 10.3 x 5.1	Sumida
MSS1038	15	50	3.8	10.0 x 10.2 x 3.8	Coilcraft

(1) See [Third-Party Products](#) disclaimer.

### 8.2.1.2.6 Selecting the Schottky Diode

The high switching frequency of the TPS61500 demands a high-speed rectification for optimum efficiency. Ensure that the diode's average and peak current rating exceed the average output current and peak inductor current. In addition, reverse breakdown voltage of the diode must exceed the switch FET rating voltage of 40 V. TI recommends the VISHAY SS3P6L-E3/86A the TPS61500 device. The power dissipation of the diode package must be larger than the  $I_{\text{OUT(max)}} \times V_D$

### 8.2.1.2.7 Selecting the Compensation Capacitor and Resistor

The TPS61500 has an external compensation, COMP pin, which allows the loop response to be optimized for each application. The COMP pin is the output of the internal error amplifier. An external ceramic capacitor, C4, is connected to the COMP pin to stabilize the feedback loop. Use 470 nF for C4.

### 8.2.1.2.8 Selecting the Input and Output Capacitor

The output capacitor is selected mainly to meet the requirements for the output ripple and loop stability. This ripple voltage is related to the capacitor capacitance and its equivalent series resistance (ESR). Assuming a capacitor with zero ESR, the minimum capacitance needed for a given ripple can be calculated by

$$C_{\text{out}} = \frac{(V_{\text{out}} - V_{\text{in}})I_{\text{out}}}{V_{\text{out}} \times F_s \times V_{\text{ripple}}}$$

where

- $V_{\text{ripple}}$  = peak-to-peak output ripple (6)

The additional output ripple component caused by ESR is calculated using:

$$V_{\text{ripple\_ESR}} = I_{\text{out}} \times R_{\text{ESR}} \quad (7)$$

Due to its low ESR,  $V_{\text{ripple\_ESR}}$  can be neglected for ceramic capacitors, but must be considered if tantalum or electrolytic capacitors are used.

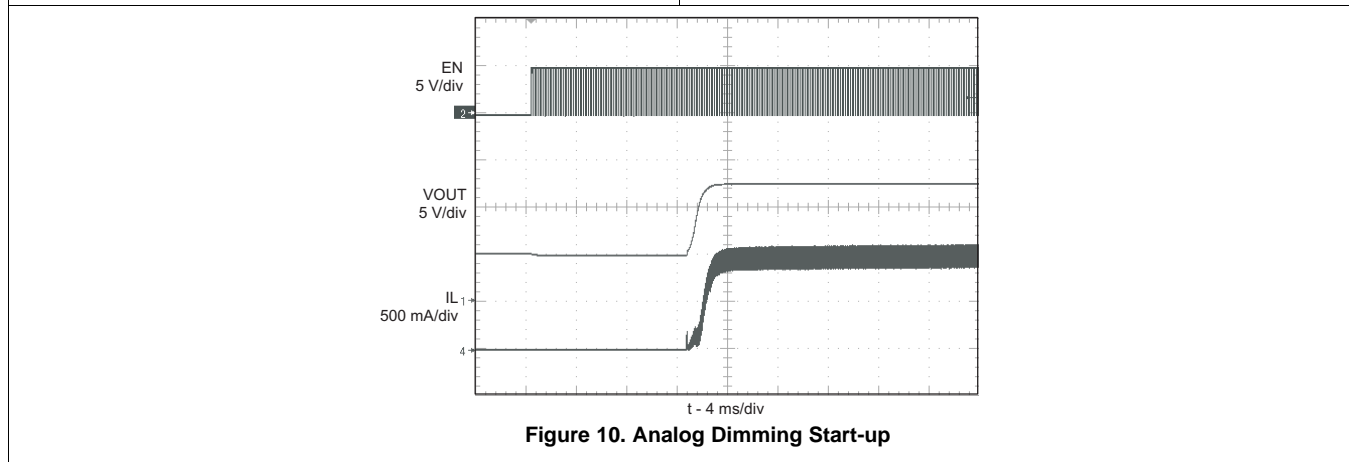
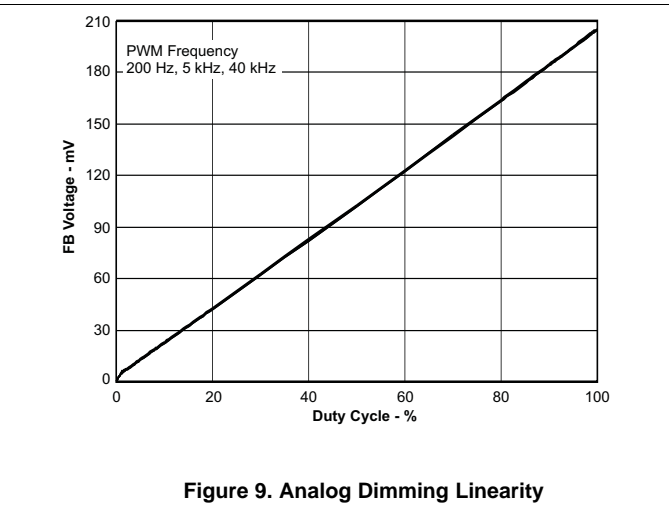
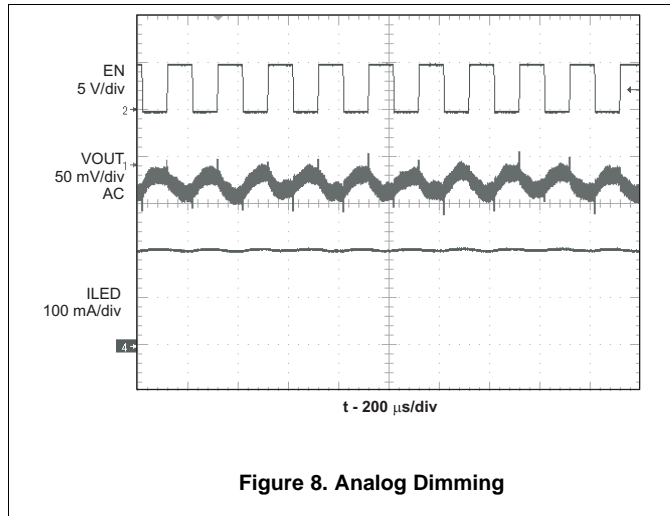
Take care when evaluating a ceramic capacitor's derating under DC bias, aging and AC signal. For example, larger form factor capacitors (in 1206 size) have their self-resonant frequencies in the range of the switching frequency; thus, the effective capacitance is significantly lower. The DC bias can also significantly reduce capacitance. Ceramic capacitors can lose as much as 50% of its capacitance at its rated voltage. Therefore, leave margin on the voltage rating to ensure adequate capacitance at the required output voltage.

TI recommends a capacitor in the range of 1  $\mu\text{F}$  to 4.7  $\mu\text{F}$  for input side. The output requires a capacitor in the range of 1  $\mu\text{F}$  to 10  $\mu\text{F}$ . The output capacitor affects the loop stability of the boost regulator. If the output capacitor is below the range, the boost regulator can potentially become unstable.

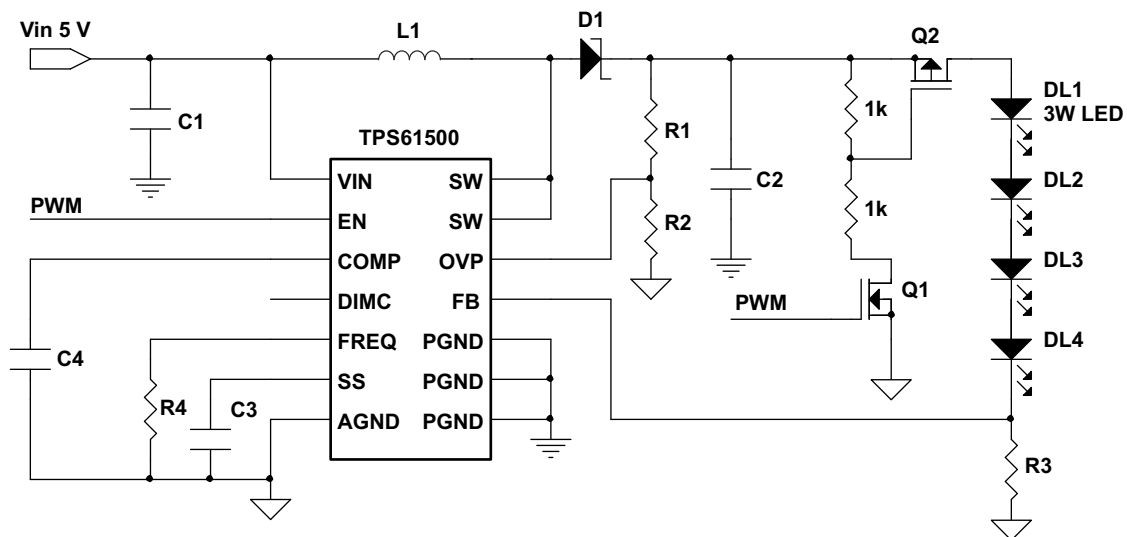
The popular vendors for high-value ceramic capacitors are:

- **TDK** (<http://www.component.tdk.com/components.php>)
- **Murata** (<http://www.murata.com/cap/index.html>)

### 8.2.1.3 Application Curves



### 8.2.2 Pure PWM Dimming Method





### 8.2.2.1 Design Requirements

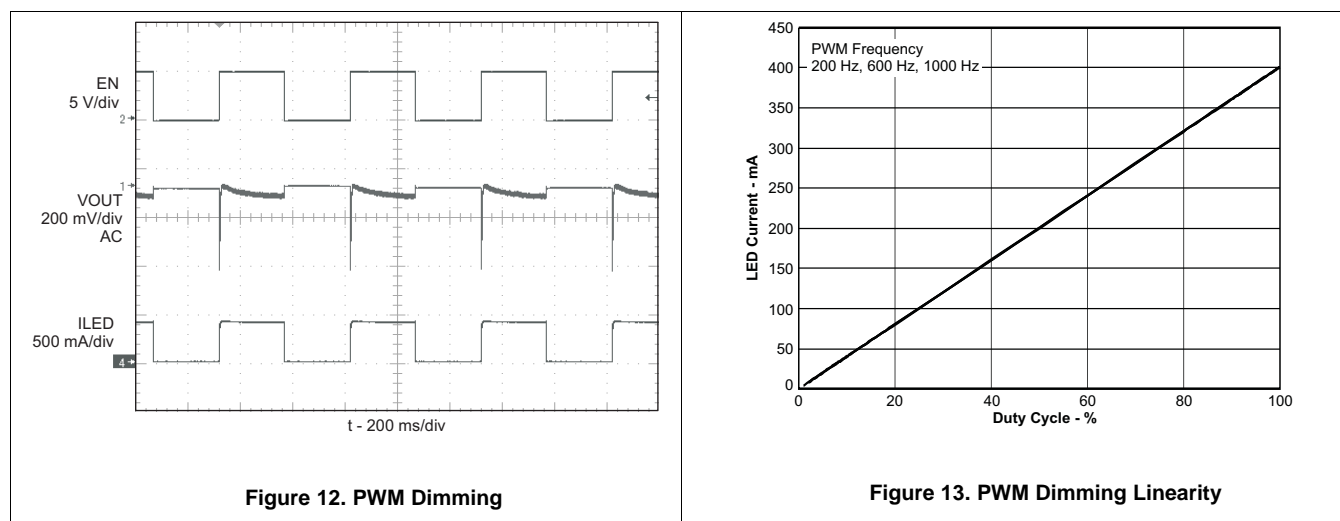
**Table 5. Design Parameters**

PARAMETERS	VALUES
Input voltage	5 V $\pm$ 20%
LED forward voltage	3.5 V
LED current	400 mA
Number of LEDs	4
Dimming method	PWM

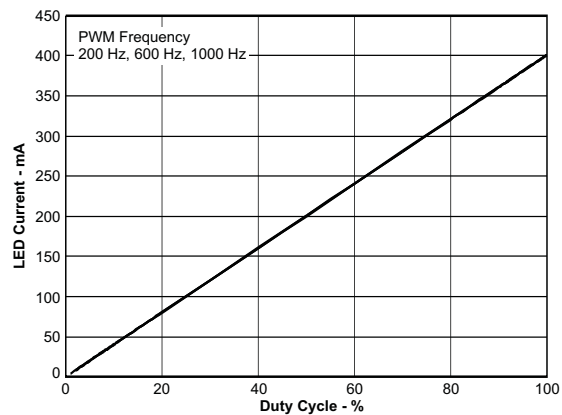
### 8.2.2.2 Detailed Design Procedure

Refer to [Detailed Design Procedure](#) in the [Analog Dimming Method](#) section.

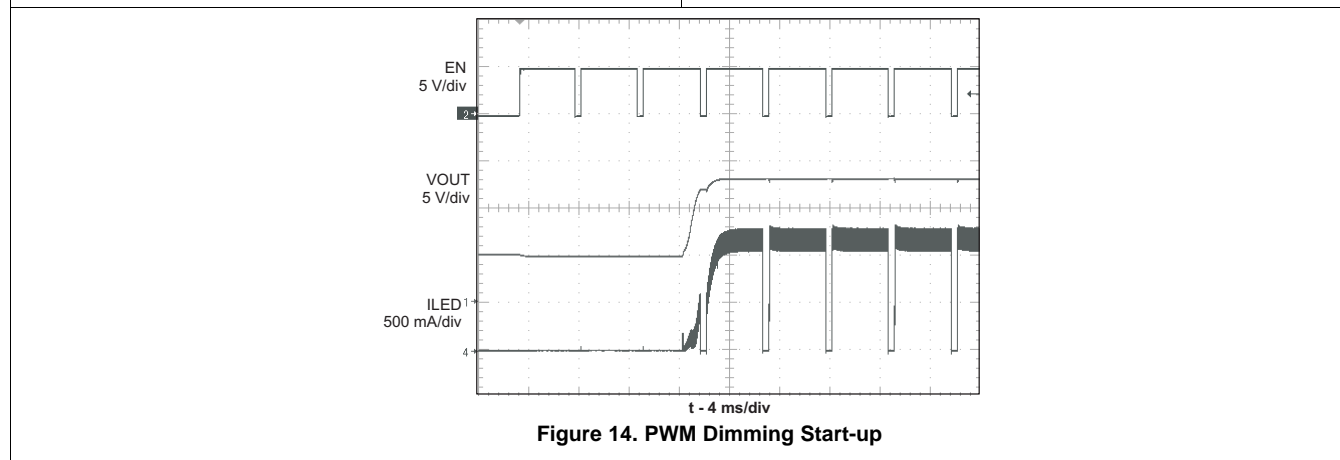
### 8.2.2.3 Application Curves



**Figure 12. PWM Dimming**



**Figure 13. PWM Dimming Linearity**



**Figure 14. PWM Dimming Start-up**

## 9 Power Supply Recommendations

The TPS61500 is designed to operate from an input voltage supply range between 2.9 V and 18 V. The power supply to the TPS61500 must have a current rating according to the supply voltage, output voltage, and output current of the TPS61500.

## 10 Layout

### 10.1 Layout Guidelines

As for all switching power supplies, especially those running at high switching frequency and high currents, layout is an important design step. If layout is not carefully done, the regulator could suffer from instability as well as noise problems. To maximize efficiency, switch rise and fall times are very fast. To prevent radiation of high frequency noise (for example, EMI), proper layout of the high frequency switching path is essential. Minimize the length and area of all traces connected to the SW pin and always use a ground plane under the switching regulator to minimize interplane coupling. The high current path including the switch, Schottky diode, and output capacitor, contains nanosecond rise and fall times and must be kept as short as possible. In order to reduce the input supply ripple, the input capacitor must be close both to the VIN and GND pins.

### 10.2 Layout Example

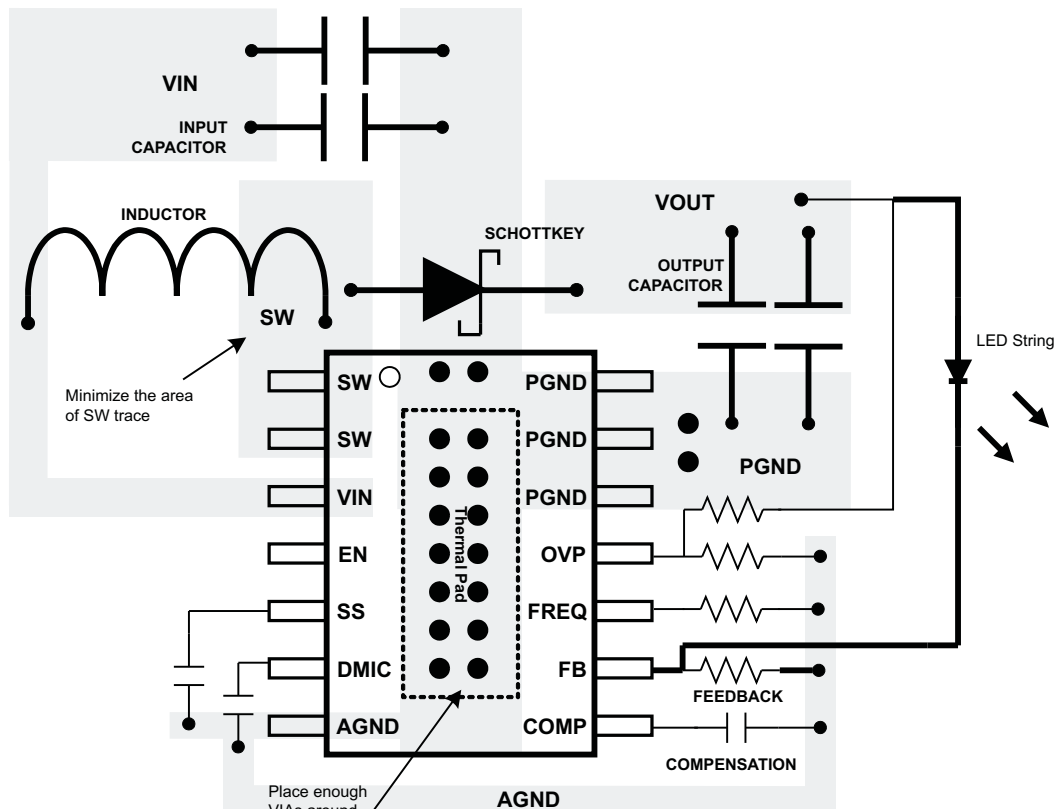


Figure 15. Recommended Layout Example

### 10.3 Thermal Considerations

As mentioned before, the maximum device junction temperature must be restricted to 125°C under normal operating conditions. This restriction limits the power dissipation of the TPS61500. Calculate the maximum allowable dissipation,  $P_D$  (maximum), and keep the actual dissipation less than or equal to  $P_D$  (maximum). The maximum-power-dissipation limit is determined using [Equation 8](#):

$$P_{D(\max)} = \frac{125^{\circ}\text{C} - T_A}{R_{\theta\text{JA}}}$$

where

- $T_A$  is the maximum ambient temperature for the application
- $R_{\theta\text{JA}}$  is the thermal resistance junction-to-ambient given in [Thermal Information](#) (8)

The TPS61500 comes in a thermally enhanced TSSOP package. This package includes a thermal pad that improves the thermal capabilities of the package. The  $R_{\theta\text{JA}}$  of the TSSOP package greatly depends on the PCB layout.

## 11 Device and Documentation Support

### 11.1 Device Support

#### 11.1.1 Third-Party Products Disclaimer

TI'S PUBLICATION OF INFORMATION REGARDING THIRD-PARTY PRODUCTS OR SERVICES DOES NOT CONSTITUTE AN ENDORSEMENT REGARDING THE SUITABILITY OF SUCH PRODUCTS OR SERVICES OR A WARRANTY, REPRESENTATION OR ENDORSEMENT OF SUCH PRODUCTS OR SERVICES, EITHER ALONE OR IN COMBINATION WITH ANY TI PRODUCT OR SERVICE.

#### 11.1.2 Receiving Notification of Documentation Updates

To receive notification of documentation updates, navigate to the device product folder on ti.com. In the upper right corner, click on *Alert me* to register and receive a weekly digest of any product information that has changed. For change details, review the revision history included in any revised document.

#### 11.1.3 Community Resources

The following links connect to TI community resources. Linked contents are provided "AS IS" by the respective contributors. They do not constitute TI specifications and do not necessarily reflect TI's views; see TI's [Terms of Use](#).

**TI E2E™ Online Community** *TI's Engineer-to-Engineer (E2E) Community*. Created to foster collaboration among engineers. At e2e.ti.com, you can ask questions, share knowledge, explore ideas and help solve problems with fellow engineers.

**Design Support** *TI's Design Support* Quickly find helpful E2E forums along with design support tools and contact information for technical support.

### 11.2 Trademarks

PowerPAD, E2E are trademarks of Texas Instruments.  
All other trademarks are the property of their respective owners.

### 11.3 Electrostatic Discharge Caution



These devices have limited built-in ESD protection. The leads should be shorted together or the device placed in conductive foam during storage or handling to prevent electrostatic damage to the MOS gates.

### 11.4 Glossary

**SLYZ022** — *TI Glossary*.

This glossary lists and explains terms, acronyms, and definitions.

## 12 Mechanical, Packaging, and Orderable Information

The following pages include mechanical, packaging, and orderable information. This information is the most current data available for the designated devices. This data is subject to change without notice and revision of this document. For browser-based versions of this data sheet, refer to the left-hand navigation.

**PACKAGING INFORMATION**

Orderable Device	Status (1)	Package Type	Package Drawing	Pins	Package Qty	Eco Plan (2)	Lead/Ball Finish (6)	MSL Peak Temp (3)	Op Temp (°C)	Device Marking (4/5)	Samples
TPS61500PWP	ACTIVE	HTSSOP	PWP	14	90	Green (RoHS & no Sb/Br)	CU NIPDAU	Level-2-260C-1 YEAR	-40 to 85	61500	<a href="#">Samples</a>
TPS61500PWPR	ACTIVE	HTSSOP	PWP	14	2000	Green (RoHS & no Sb/Br)	CU NIPDAU	Level-2-260C-1 YEAR	-40 to 85	61500	<a href="#">Samples</a>

(1) The marketing status values are defined as follows:

**ACTIVE:** Product device recommended for new designs.

**LIFEBUY:** TI has announced that the device will be discontinued, and a lifetime-buy period is in effect.

**NRND:** Not recommended for new designs. Device is in production to support existing customers, but TI does not recommend using this part in a new design.

**PREVIEW:** Device has been announced but is not in production. Samples may or may not be available.

**OBSOLETE:** TI has discontinued the production of the device.

(2) **RoHS:** TI defines "RoHS" to mean semiconductor products that are compliant with the current EU RoHS requirements for all 10 RoHS substances, including the requirement that RoHS substance do not exceed 0.1% by weight in homogeneous materials. Where designed to be soldered at high temperatures, "RoHS" products are suitable for use in specified lead-free processes. TI may reference these types of products as "Pb-Free".

**RoHS Exempt:** TI defines "RoHS Exempt" to mean products that contain lead but are compliant with EU RoHS pursuant to a specific EU RoHS exemption.

**Green:** TI defines "Green" to mean the content of Chlorine (Cl) and Bromine (Br) based flame retardants meet JS709B low halogen requirements of <=1000ppm threshold. Antimony trioxide based flame retardants must also meet the <=1000ppm threshold requirement.

(3) MSL, Peak Temp. - The Moisture Sensitivity Level rating according to the JEDEC industry standard classifications, and peak solder temperature.

(4) There may be additional marking, which relates to the logo, the lot trace code information, or the environmental category on the device.

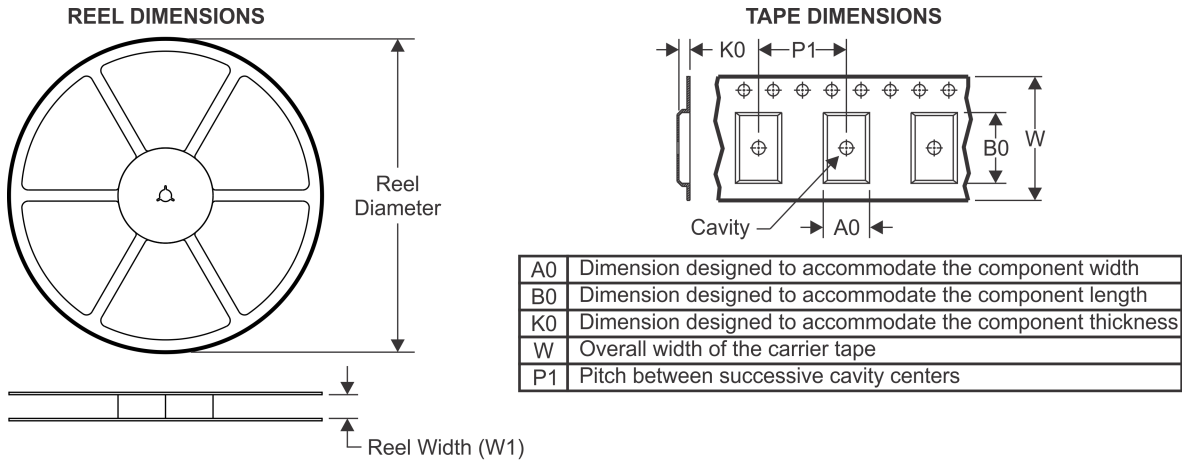
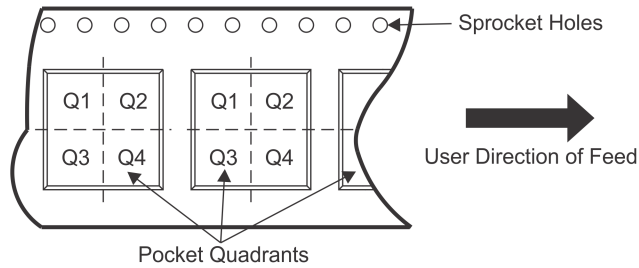
(5) Multiple Device Markings will be inside parentheses. Only one Device Marking contained in parentheses and separated by a "~" will appear on a device. If a line is indented then it is a continuation of the previous line and the two combined represent the entire Device Marking for that device.

(6) Lead/Ball Finish - Orderable Devices may have multiple material finish options. Finish options are separated by a vertical ruled line. Lead/Ball Finish values may wrap to two lines if the finish value exceeds the maximum column width.

**Important Information and Disclaimer:**The information provided on this page represents TI's knowledge and belief as of the date that it is provided. TI bases its knowledge and belief on information provided by third parties, and makes no representation or warranty as to the accuracy of such information. Efforts are underway to better integrate information from third parties. TI has taken and continues to take reasonable steps to provide representative and accurate information but may not have conducted destructive testing or chemical analysis on incoming materials and chemicals. TI and TI suppliers consider certain information to be proprietary, and thus CAS numbers and other limited information may not be available for release.

In no event shall TI's liability arising out of such information exceed the total purchase price of the TI part(s) at issue in this document sold by TI to Customer on an annual basis.



**TAPE AND REEL INFORMATION**

**QUADRANT ASSIGNMENTS FOR PIN 1 ORIENTATION IN TAPE**


\*All dimensions are nominal

Device	Package Type	Package Drawing	Pins	SPQ	Reel Diameter (mm)	Reel Width W1 (mm)	A0 (mm)	B0 (mm)	K0 (mm)	P1 (mm)	W (mm)	Pin1 Quadrant
TPS61500PWPR	HTSSOP	PWP	14	2000	330.0	12.4	6.9	5.6	1.6	8.0	12.0	Q1

TAPE AND REEL BOX DIMENSIONS



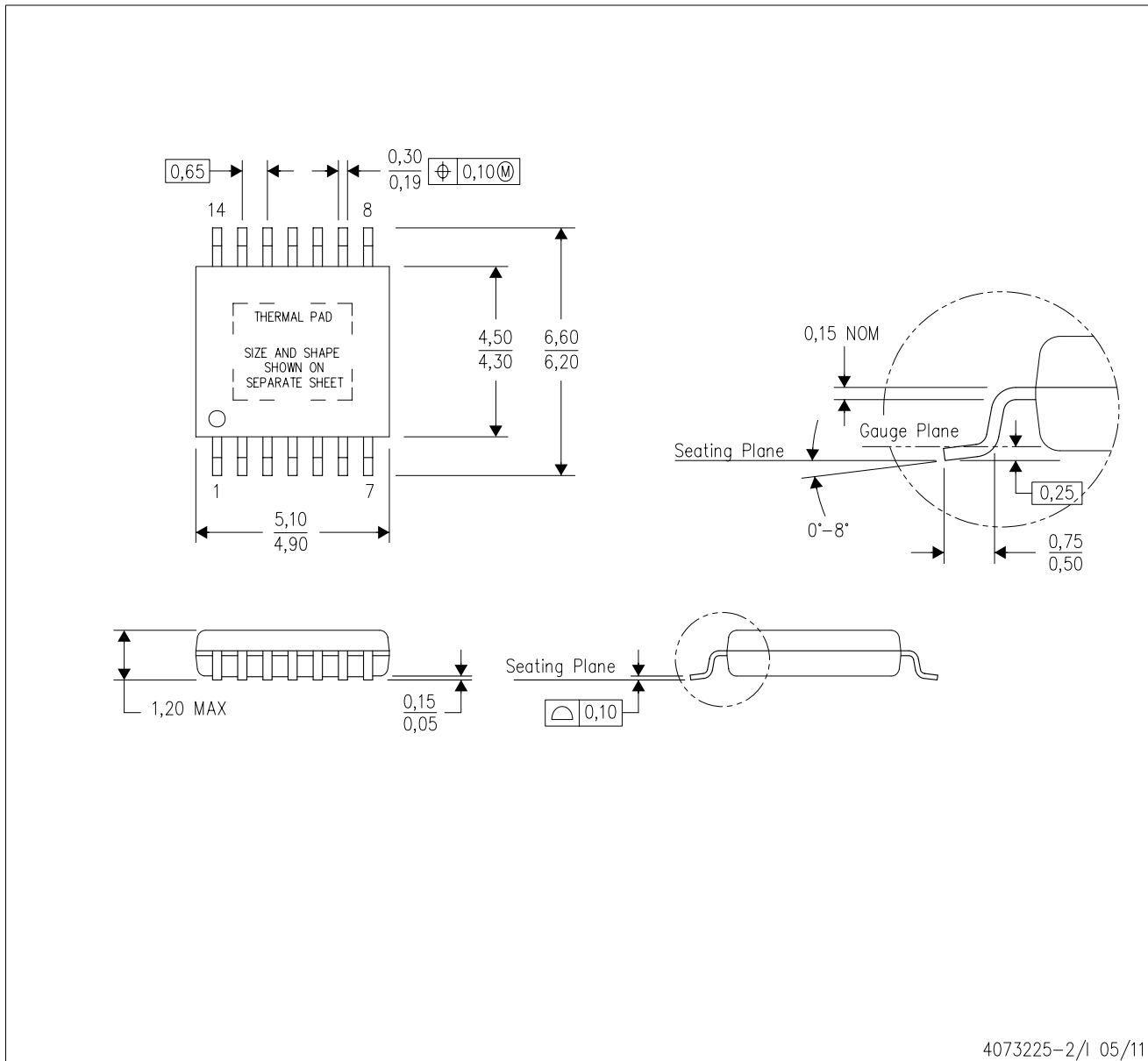
\*All dimensions are nominal

Device	Package Type	Package Drawing	Pins	SPQ	Length (mm)	Width (mm)	Height (mm)
TPS61500PWPR	HTSSOP	PWP	14	2000	350.0	350.0	43.0



PWP (R-PDSO-G14)

PowerPAD™ PLASTIC SMALL OUTLINE



4073225-2/1 05/11

- NOTES:
- A. All linear dimensions are in millimeters.
  - B. This drawing is subject to change without notice.
  - C. Body dimensions do not include mold flash or protrusions. Mold flash and protrusion shall not exceed 0.15 per side.
  - D. This package is designed to be soldered to a thermal pad on the board. Refer to Technical Brief, PowerPad Thermally Enhanced Package, Texas Instruments Literature No. SLMA002 for information regarding recommended board layout. This document is available at [www.ti.com](http://www.ti.com) <<http://www.ti.com>>.
  - E. See the additional figure in the Product Data Sheet for details regarding the exposed thermal pad features and dimensions.
  - E. Falls within JEDEC MO-153

PowerPAD is a trademark of Texas Instruments.

## THERMAL PAD MECHANICAL DATA

PWP (R-PDSO-G14)

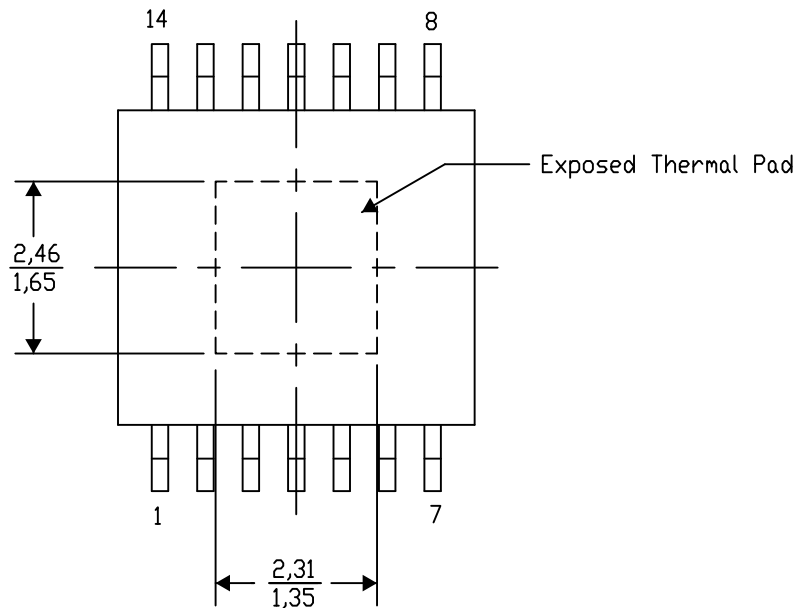
PowerPAD™ SMALL PLASTIC OUTLINE

### THERMAL INFORMATION

This PowerPAD™ package incorporates an exposed thermal pad that is designed to be attached to a printed circuit board (PCB). The thermal pad must be soldered directly to the PCB. After soldering, the PCB can be used as a heatsink. In addition, through the use of thermal vias, the thermal pad can be attached directly to the appropriate copper plane shown in the electrical schematic for the device, or alternatively, can be attached to a special heatsink structure designed into the PCB. This design optimizes the heat transfer from the integrated circuit (IC).

For additional information on the PowerPAD package and how to take advantage of its heat dissipating abilities, refer to Technical Brief, PowerPAD Thermally Enhanced Package, Texas Instruments Literature No. SLMA002 and Application Brief, PowerPAD Made Easy, Texas Instruments Literature No. SLMA004. Both documents are available at [www.ti.com](http://www.ti.com).

The exposed thermal pad dimensions for this package are shown in the following illustration.



Top View

Exposed Thermal Pad Dimensions

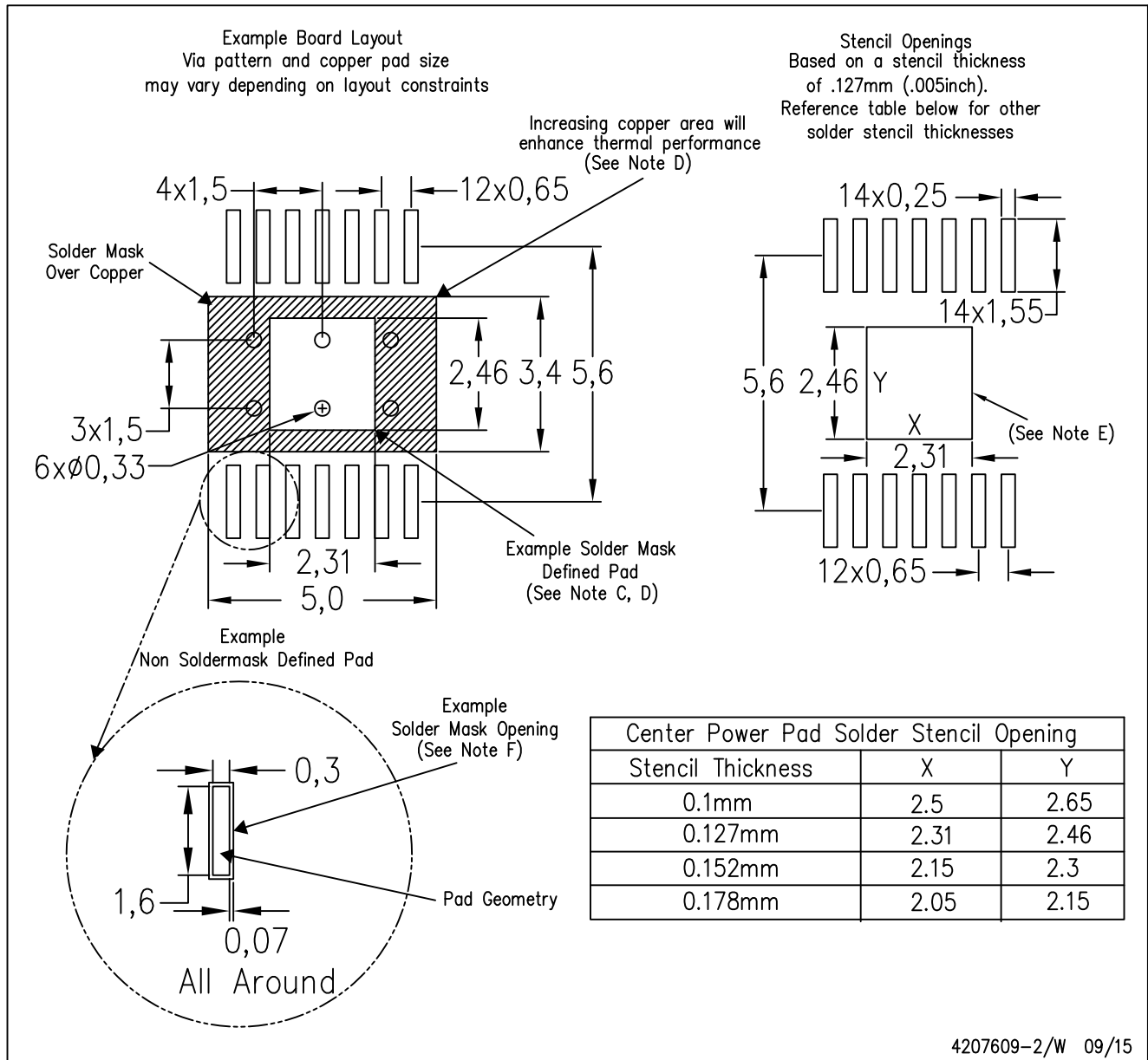
4206332-2/AO 01/16

NOTE: A. All linear dimensions are in millimeters

PowerPAD is a trademark of Texas Instruments

PWP (R-PDSO-G14)

PowerPAD™ PLASTIC SMALL OUTLINE



4207609-2/W 09/15

- NOTES:
- A. All linear dimensions are in millimeters.
  - B. This drawing is subject to change without notice.
  - C. Customers should place a note on the circuit board fabrication drawing not to alter the center solder mask defined pad.
  - D. This package is designed to be soldered to a thermal pad on the board. Refer to Technical Brief, PowerPAD Thermally Enhanced Package, Texas Instruments Literature No. SLMA002, SLMA004, and also the Product Data Sheets for specific thermal information, via requirements, and recommended board layout. These documents are available at [www.ti.com](http://www.ti.com) <<http://www.ti.com>>. Publication IPC-7351 is recommended for alternate designs.
  - E. Laser cutting apertures with trapezoidal walls and also rounding corners will offer better paste release. Customers should contact their board assembly site for stencil design recommendations. Example stencil design based on a 50% volumetric metal load solder paste. Refer to IPC-7525 for other stencil recommendations.
  - F. Customers should contact their board fabrication site for solder mask tolerances between and around signal pads.

# THERMAL PAD MECHANICAL DATA

PWP (R-PDSO-G14)

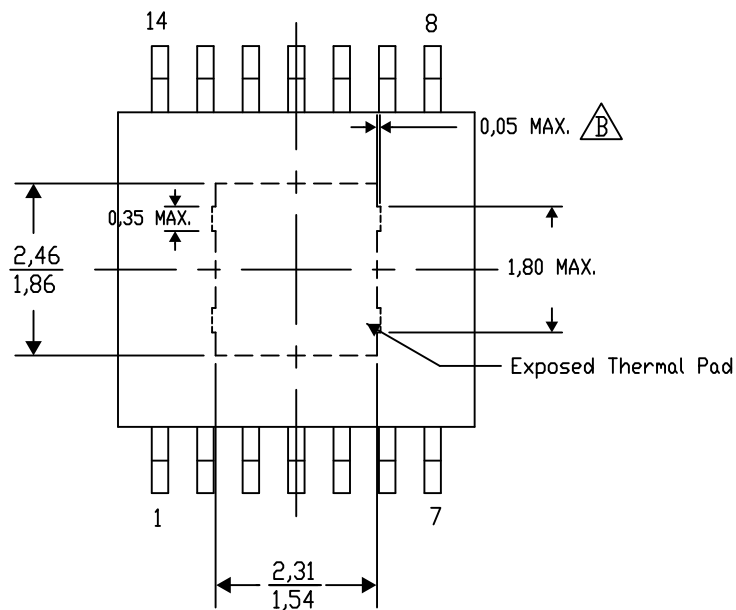
PowerPAD™ SMALL PLASTIC OUTLINE

## THERMAL INFORMATION

This PowerPAD™ package incorporates an exposed thermal pad that is designed to be attached to a printed circuit board (PCB). The thermal pad must be soldered directly to the PCB. After soldering, the PCB can be used as a heatsink. In addition, through the use of thermal vias, the thermal pad can be attached directly to the appropriate copper plane shown in the electrical schematic for the device, or alternatively, can be attached to a special heatsink structure designed into the PCB. This design optimizes the heat transfer from the integrated circuit (IC).

For additional information on the PowerPAD package and how to take advantage of its heat dissipating abilities, refer to Technical Brief, PowerPAD Thermally Enhanced Package, Texas Instruments Literature No. SLMA002 and Application Brief, PowerPAD Made Easy, Texas Instruments Literature No. SLMA004. Both documents are available at [www.ti.com](http://www.ti.com).

The exposed thermal pad dimensions for this package are shown in the following illustration.



Top View

Exposed Thermal Pad Dimensions

4206332-44/AO 01/16

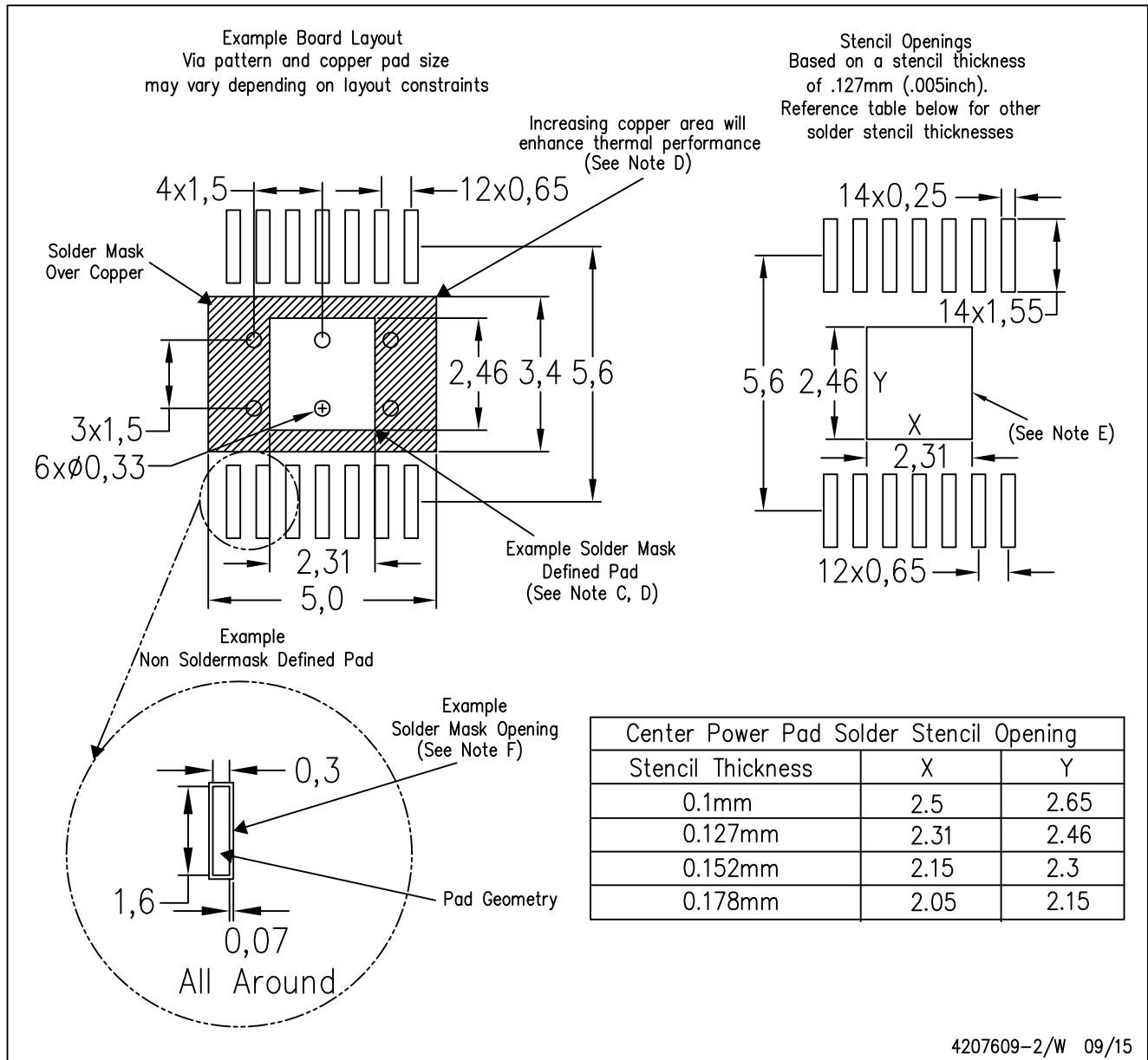
NOTE: A. All linear dimensions are in millimeters

$\triangle B$  Exposed tie strap features may not be present.

PowerPAD is a trademark of Texas Instruments

PWP (R-PDSO-G14)

PowerPAD™ PLASTIC SMALL OUTLINE



4207609-2/W 09/15

- NOTES:
- A. All linear dimensions are in millimeters.
  - B. This drawing is subject to change without notice.
  - C. Customers should place a note on the circuit board fabrication drawing not to alter the center solder mask defined pad.
  - D. This package is designed to be soldered to a thermal pad on the board. Refer to Technical Brief, PowerPAD Thermally Enhanced Package, Texas Instruments Literature No. SLMA002, SLMA004, and also the Product Data Sheets for specific thermal information, via requirements, and recommended board layout. These documents are available at [www.ti.com](http://www.ti.com) <<http://www.ti.com>>. Publication IPC-7351 is recommended for alternate designs.
  - E. Laser cutting apertures with trapezoidal walls and also rounding corners will offer better paste release. Customers should contact their board assembly site for stencil design recommendations. Example stencil design based on a 50% volumetric metal load solder paste. Refer to IPC-7525 for other stencil recommendations.
  - F. Customers should contact their board fabrication site for solder mask tolerances between and around signal pads.

## IMPORTANT NOTICE AND DISCLAIMER

TI PROVIDES TECHNICAL AND RELIABILITY DATA (INCLUDING DATASHEETS), DESIGN RESOURCES (INCLUDING REFERENCE DESIGNS), APPLICATION OR OTHER DESIGN ADVICE, WEB TOOLS, SAFETY INFORMATION, AND OTHER RESOURCES "AS IS" AND WITH ALL FAULTS, AND DISCLAIMS ALL WARRANTIES, EXPRESS AND IMPLIED, INCLUDING WITHOUT LIMITATION ANY IMPLIED WARRANTIES OF MERCHANTABILITY, FITNESS FOR A PARTICULAR PURPOSE OR NON-INFRINGEMENT OF THIRD PARTY INTELLECTUAL PROPERTY RIGHTS.

These resources are intended for skilled developers designing with TI products. You are solely responsible for (1) selecting the appropriate TI products for your application, (2) designing, validating and testing your application, and (3) ensuring your application meets applicable standards, and any other safety, security, or other requirements. These resources are subject to change without notice. TI grants you permission to use these resources only for development of an application that uses the TI products described in the resource. Other reproduction and display of these resources is prohibited. No license is granted to any other TI intellectual property right or to any third party intellectual property right. TI disclaims responsibility for, and you will fully indemnify TI and its representatives against, any claims, damages, costs, losses, and liabilities arising out of your use of these resources.

TI's products are provided subject to TI's Terms of Sale ([www.ti.com/legal/termsofsale.html](http://www.ti.com/legal/termsofsale.html)) or other applicable terms available either on [ti.com](http://ti.com) or provided in conjunction with such TI products. TI's provision of these resources does not expand or otherwise alter TI's applicable warranties or warranty disclaimers for TI products.

Mailing Address: Texas Instruments, Post Office Box 655303, Dallas, Texas 75265  
Copyright © 2019, Texas Instruments Incorporated