

REV. Status
REVISION - 05-08-96 TS
REVISION A REFORMATTED 08/14/96 TS
REVISION B REFORMATTED 08/20/96 TS
REVISION C REFORMATTED 7-14-97 TS
REVISION D CHANGED A.7. 8-23-99 TS
REVISION E ADDED RoHS 1-12-06 MP
REVISION F SAFETY UPDATE 6-24-09 MP
REVISION G CHANGED PHONE# 11-22-19 MP

THREE FLANGE SINGLE PRIMARY 1.1VA PC BOARD POWER TRANSFORMER

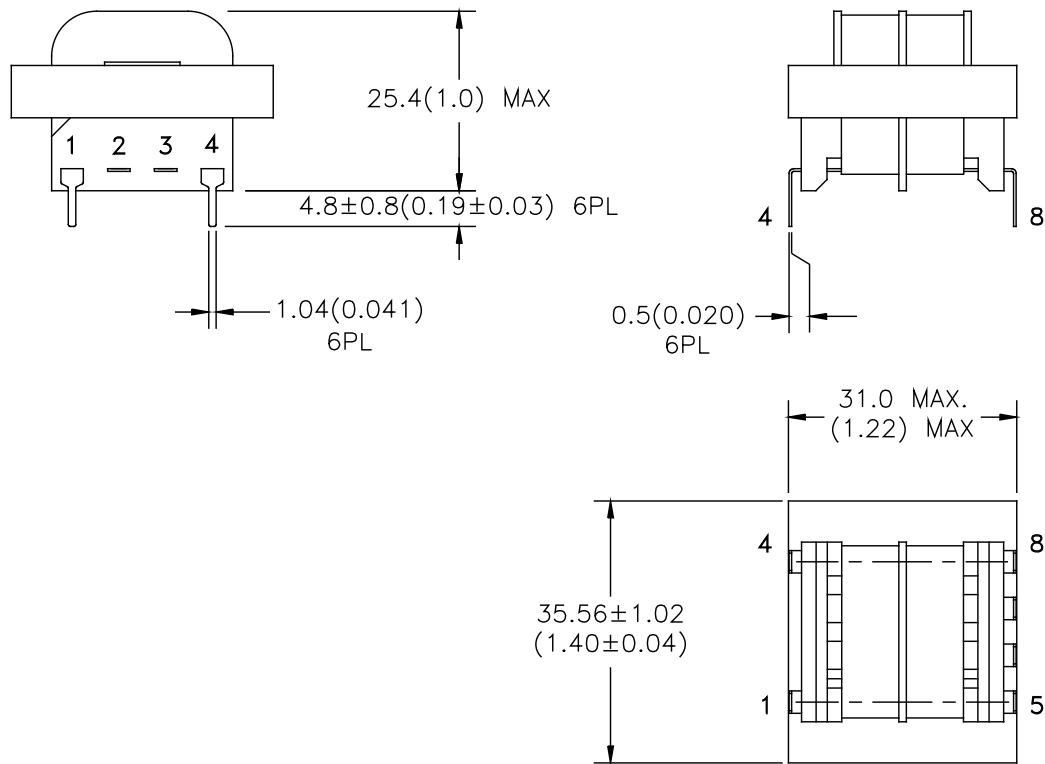
A. Electrical Specifications (@ 25°C)

1. Maximum Power: 1.1VA
2. Input Voltage and Frequency: 115V 50/60 Hz
3. Secondary Voltage: See Table A
4. Voltage Regulation: 24% TYP @ full load to no load
5. Temperature Rise: 35°C TYP (45°C MAX allowed)
6. Insulation Resistance:
100 MΩ MIN @ 500VDC, Pri to Sec, Pri to Core
100 MΩ MIN @ 500VDC, Sec to Core
7. Hi-Pot: 2500 Vrms 1 minute @ Pri to Sec
1500 Vrms 1 minute @ Pri to Core
1500 Vrms 1 minute @ Sec to Core
500 Vrms 1 minute @ Sec to Sec

B. Marking: TAMURA, Tamura part number (see sheet 2), MICROTRAN, Microtran part number (see sheet 2), date code, country of origin, safety logos and input and output ratings

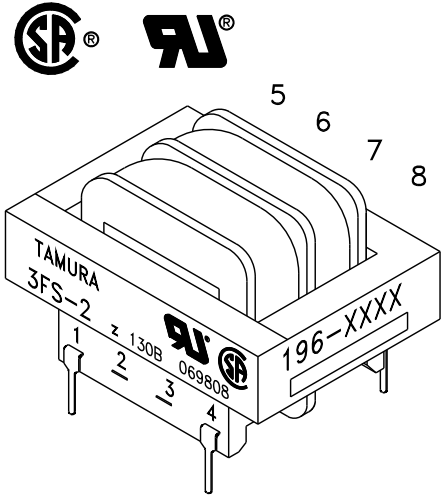
C. Safety:
Insulation Class B (130°C) File No. E92957.
CSA 22.2 No. 66-1988, File No. 069808.
UL 1585, Class 2 or 3, Inherently limited,
File No. E95844.
UL 506, General Purpose, File No. E91239.

D. Mechanical Specifications:



MODEL NUMBER

3FS-2XX & PSS2-XX



PREPARED BY:
C. POPPE

ENGINEER:
M. PITCHAI
SAFETY ENGINEER

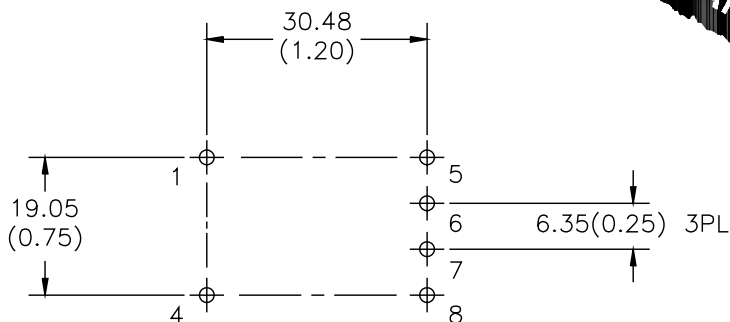
DRAWING CONTROL NO. P-A1-11031	REV G	MODEL DESCRIPTION SIZE 2 SF3 & PSS FAMILY POWER TRANSFORMER	MODEL SPECIFICATION 3FS-2XX & PSS2-XX
CONTENTS OF THIS DRAWING ARE SUBJECT TO CHANGE WITHOUT PRIOR NOTICE		TAMURA CORPORATION OF AMERICA 1040 SOUTH ANDREASEN DRIVE, #100 ESCONDIDO, CA. 92029 (760) 871-2009	DIM: mm[In] SCL: NONE Sh: 1 OF 2
APPROVED: M. PITCHAI			PROPRIETARY NOTICE: THIS DRAWING PRINT OR DOCUMENT AND SUBJECT MATTER DISCLOSED HEREIN ARE PROPRIETARY ITEMS TO WHICH TAMURA RETAINS THE EXCLUSIVE RIGHT OF DISSEMINATION, REPRODUCTION, MANUFACTURE AND SALE. THIS DRAWING, PRINT OR DOCUMENT IS SUBMITTED IN CONFIDENCE FOR CONSIDERATION BY THE RECIPIENT ALONE UNLESS PERMISSION FOR FURTHER DISCLOSURE IS EXPRESSLY GRANTED IN WRITING.

E. Mounting Footprint:

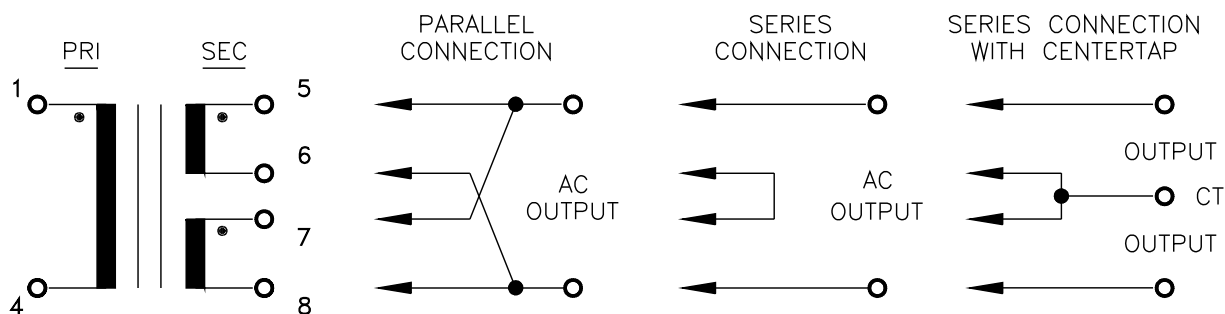


MODEL NUMBER

3FS-2XX & PSS2-XX



F. Schematic Diagram:



*not UL - recognized for series connect.

G. Table A: (NOTE: all parts are dual marked with both part numbers)

TAMURA PART NO.	MICROTRAN PART NO.	PARALLEL CONNECTION		SERIES CONNECTION		SERIES CONNECTION WITH CT	
		AC VOLTS	RMS AMPS	AC VOLTS	RMS AMPS	AC VOLTS	RMS AMPS
3FS-210	PSS2-10	5.0	0.220	10.0	0.110	5.0-CT-5.0	0.110
3FS-212	PSS2-12	6.3	0.180	12.6	0.090	6.3-CT-6.3	0.090
3FS-216	PSS2-16	8.0	0.140	16.0	0.070	8.0-CT-8.0	0.070
3FS-220	PSS2-20	10.0	0.110	20.0	0.055	10.0-CT-10.0	0.055
3FS-224	PSS2-24	12.0	0.090	24.0	0.045	12.0-CT-12.0	0.045
3FS-228	PSS2-28	14.0	0.080	28.0	0.040	14.0-CT-14.0	0.040
3FS-236	PSS2-36	18.0	0.060	36.0	0.030	18.0-CT-18.0	0.030
3FS-248	PSS2-48	24.0	0.046	48.0	0.023	24.0-CT-24.0	0.023
3FS-256	PSS2-56	28.0	0.040	56.0	0.020	28.0-CT-28.0	0.020
3FS-2120	PSS2-120	60.0	0.020	120.0*	0.010	60.0-CT-60.0	0.010

PREPARED BY:

C. POPPE

ENGINEER:

M. PITCHAI

SAFETY ENGINEER

DRAWING CONTROL NO. P-A1-11031
REV G

MODEL DESCRIPTION
SIZE 2 3FS & PSS FAMILY
POWER TRANSFORMER
TAMURA CORPORATION OF AMERICA
1040 SOUTH ANDREASEN DRIVE, #100 ESCONDIDO, CA. 92029
(760) 871-2009

MODEL SPECIFICATION
3FS-2XX & PSS2-XX

DIM: mm[In] SCL: NONE Sh: 2 OF 2

APPROVED:

M. PITCHAI

PROPRIETARY NOTICE: THIS DRAWING PRINT OR DOCUMENT AND SUBJECT MATTER DISCLOSED HEREIN ARE PROPRIETARY ITEMS TO WHICH TAMURA RETAINS THE EXCLUSIVE RIGHT OF DISSEMINATION, REPRODUCTION, MANUFACTURE AND SALE. THIS DRAWING, PRINT OR DOCUMENT IS SUBMITTED IN CONFIDENCE FOR CONSIDERATION BY THE RECIPIENT ALONE UNLESS PERMISSION FOR FURTHER DISCLOSURE IS EXPRESSLY GRANTED IN WRITING.

Mouser Electronics

Authorized Distributor

Click to View Pricing, Inventory, Delivery & Lifecycle Information:

Tamura:

[3FS-228](#) [3FS-236](#) [3FS-224](#) [3FS-248](#) [3FS-220](#) [3FS-210](#) [3FS-216](#) [3FS-212](#) [3FS-256](#)