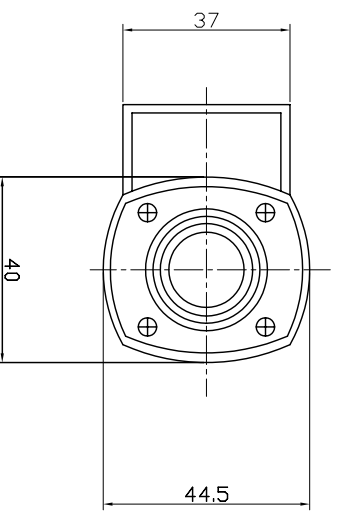
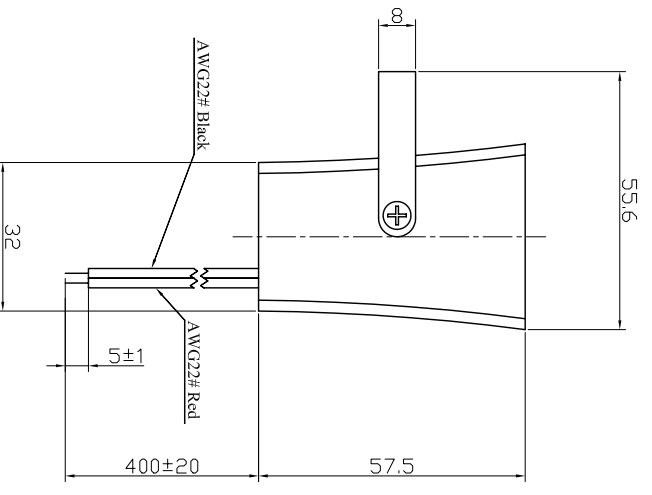


SPECIFICATION

- 1. Rated Voltage 12 VDC
- 2. Operating Voltage 6~16VDC
- 3. Max. Rated Current 250mA/12VDC
- 4. Resonant Frequency 1.5~3.5KHz
- 5. Min. Sound Pressure Level..... 100dB at 12VDC/100cm
- 6. Tone Nature Six Tone
- 7. Case Material ABS
- 8. Operating Temperature -20~+60°C
- 9. Store Temperature -30~+70°C
- 10. Weight 51g



| | | | | | | |
|-----------------------------------|-------------|-----------|----------|---|--------------|----------------|
| | | | | | | |
| No. | DESCRIPTION | APPROVED | DATE | KEPO NINGBO KEEP IMPROVING ELECTRONIC CO.,LTD http://www.chinaacoustic.com Electronic siren KPS-4516 | | |
| TOLERANCES UNLESS NOTED OTHERWISE | | APPROVALS | DATE | | | |
| xxx .x | | DRAWN | | | | |
| xxx .x | | CHECKED | | UNIT | DWG NO. | KP3.840.457.01 |
| 90° ANGLES ±° | | APPROVED | | SCALE | NOT TO SCALE | SHEET |
| FIRST ANGLE PROJECTION | | | 03.04.02 | | | VER 1.0 |

