


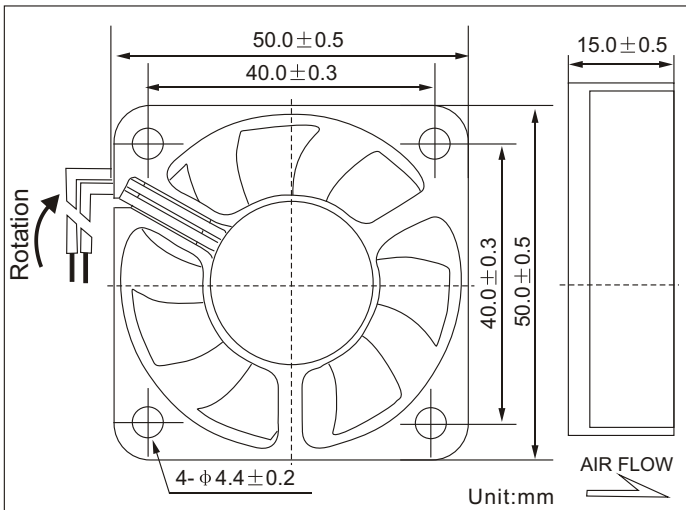


FSY51X05L(M)(H) FSY51X12L(M)(H) FSY51X24L(M)(H)

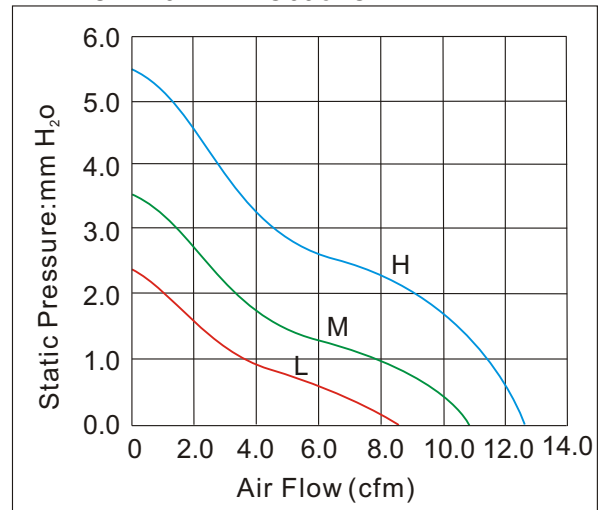
Features

Size: 50×50×15mm(1.97×1.97×0.59in)
 Frame/Impeller: Reinforced Plastic UL94V-0
 Bearings: Ball Bearing&Sleeve Bearing
 Life Expectancy:50,000 Hours at 20°C-Ball
 30,000 Hours at 20°C-Sleeve
 Approvals: UL CUL TUV CE RoHS
 Weight: 25g

 E318377 CE TUV AE50078978
 ▪ RoHS Compliant



Air Flow vs Air Pressure



Performance

| Model | Bearing System X | | | Rated Voltage (V) | Current (A) | Input Power (W) | Nominal Speed (R.P.M) | Air Flow (CFM) | Air Pressure (mm-H ₂ O) | Noise (dBA) |
|-----------|------------------|---|---|-------------------|-------------|-----------------|-----------------------|----------------|------------------------------------|-------------|
| | S | B | D | | | | | | | |
| FSY51X05L | ✓ | ✓ | ✓ | 5 | 0.22 | 1.10 | 4000 | 8.25 | 2.30 | 26 |
| FSY51X05M | ✓ | ✓ | ✓ | 5 | 0.25 | 1.27 | 5000 | 10.20 | 3.65 | 32 |
| FSY51X05H | ✓ | ✓ | ✓ | 5 | 0.28 | 1.40 | 6000 | 12.25 | 5.43 | 35 |
| FSY51X12L | ✓ | ✓ | ✓ | 12 | 0.10 | 1.20 | 4000 | 8.25 | 2.30 | 26 |
| FSY51X12M | ✓ | ✓ | ✓ | 12 | 0.13 | 1.56 | 5000 | 10.20 | 3.65 | 32 |
| FSY51X12H | ✓ | ✓ | ✓ | 12 | 0.15 | 1.80 | 6000 | 12.25 | 5.43 | 35 |
| FSY51X24L | ✓ | ✓ | ✓ | 24 | 0.06 | 1.44 | 4000 | 8.25 | 2.30 | 26 |
| FSY51X24M | ✓ | ✓ | ✓ | 24 | 0.08 | 1.92 | 5000 | 10.20 | 3.65 | 32 |
| FSY51X24H | ✓ | ✓ | ✓ | 24 | 0.10 | 2.40 | 6000 | 12.25 | 5.43 | 35 |

Product specification contained herein may be changed without prior notice.

It is therefore advisable to contact FONSONING ELECTRONICS before proceeding with the design of equipment incorporating this product.