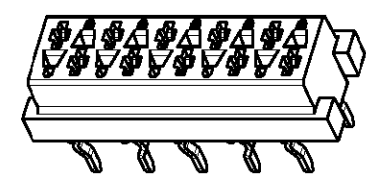
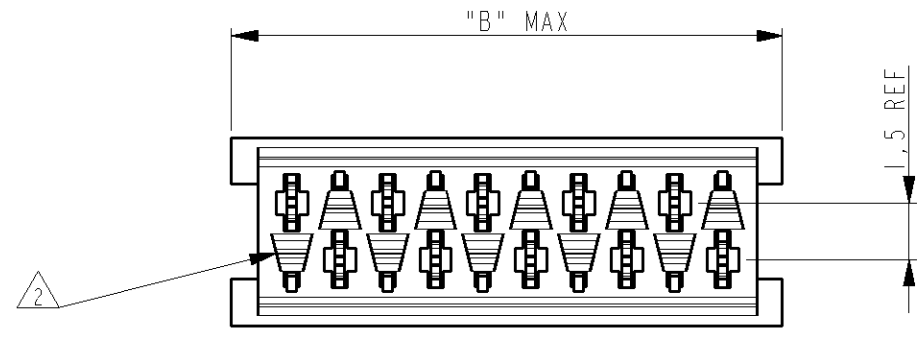


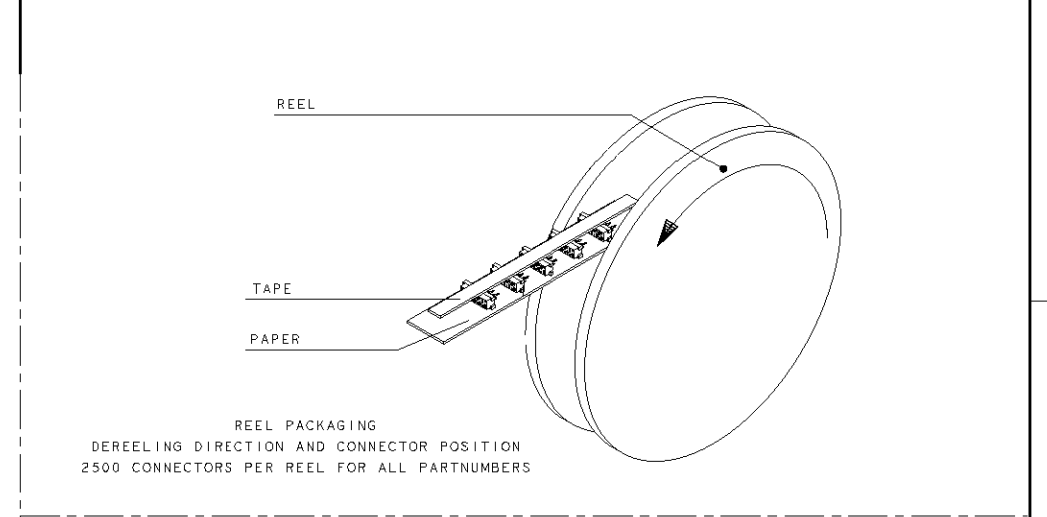
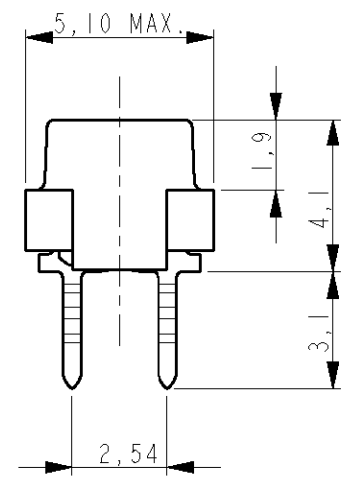
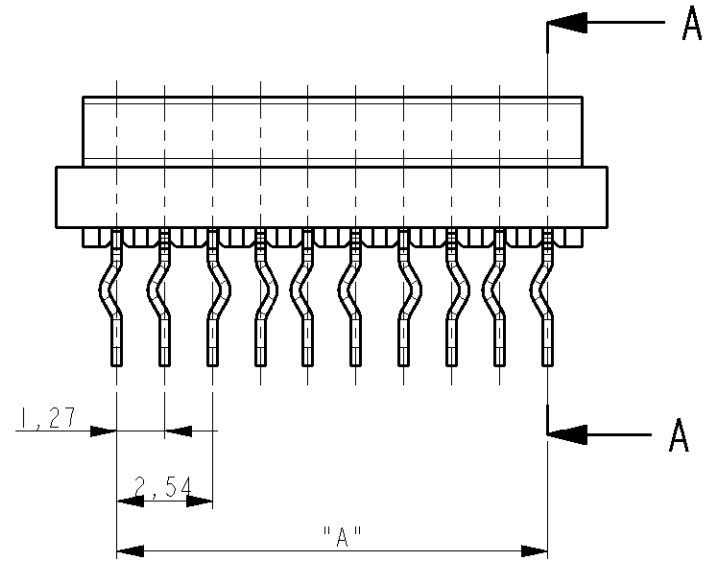
THIS DRAWING IS UNPUBLISHED. RELEASED FOR PUBLICATION
 © COPYRIGHT - BY TYCO ELECTRONICS CORPORATION, ALL RIGHTS RESERVED.

LOC H DIST -

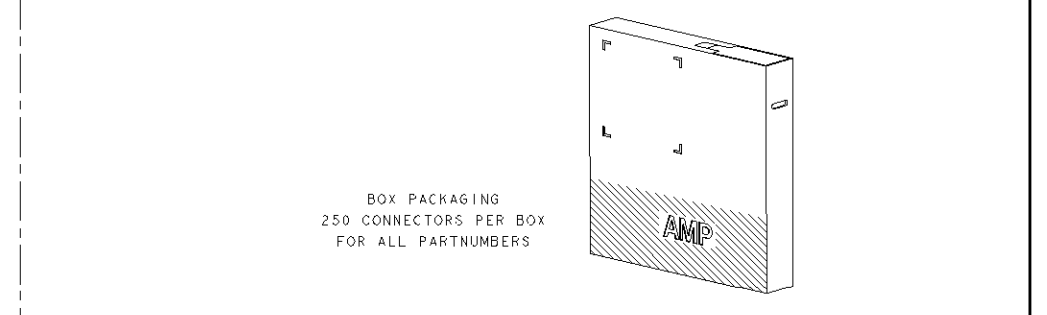
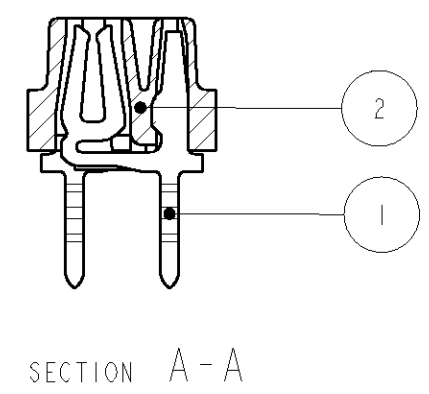
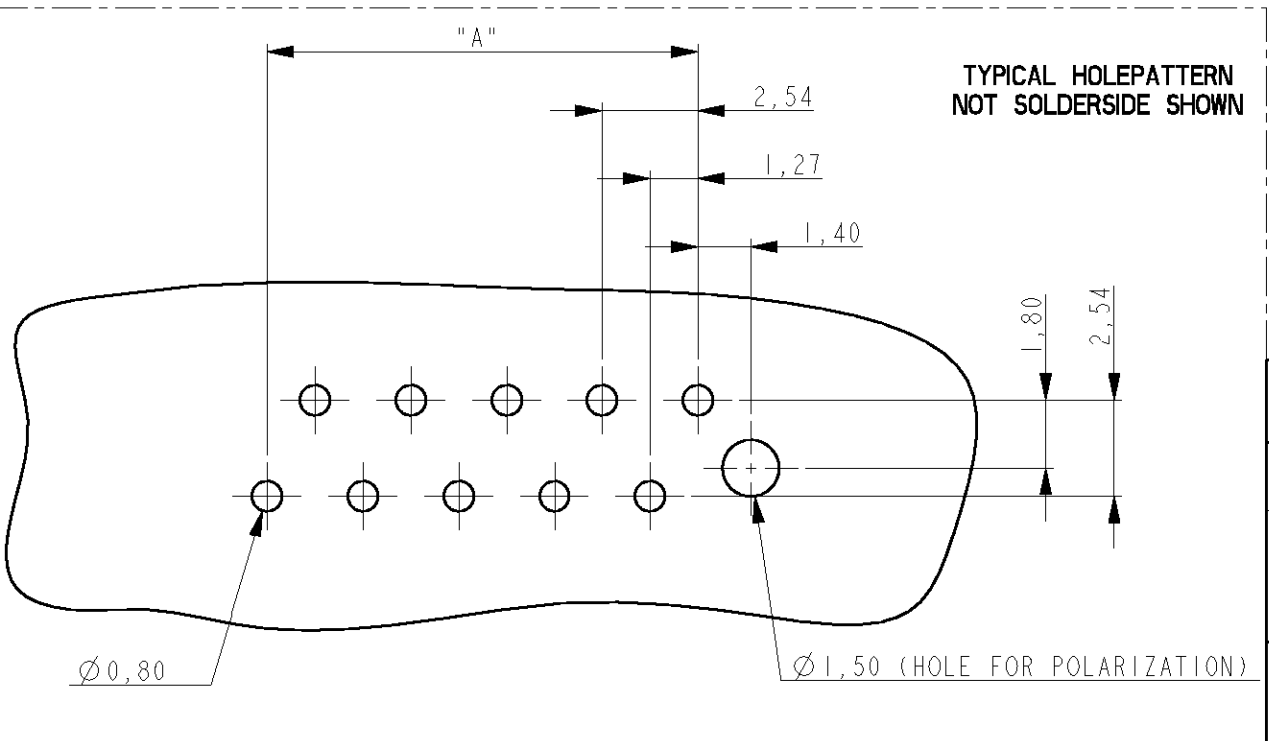
REVISIONS					
P	LTR	DESCRIPTION	DATE	DWN	APVD
T		EH00-0846-00	04 AUG 00	MG	MG
U		EH01-0893-03	29 JUL 03	PW	PJ
V		EH01-0232-04	16 FEB 04	JvdH	EL



PARTNUMBER BOX PACKAGING	PARTNUMBER REEL PACKAGING	NUMBER OF POSITIONS	"A"	"B" MAX.
7-215079-4	0-215079-4	4	3,81	7,1
7-215079-6	0-215079-6	6	6,35	9,7
7-215079-8	0-215079-8	8	8,89	12,2
8-215079-0	1-215079-0	10	11,43	14,7
8-215079-2	1-215079-2	12	13,97	17,3
8-215079-4	1-215079-4	14	16,51	19,8
8-215079-6	1-215079-6	16	19,05	22,4
8-215079-8	1-215079-8	18	21,59	24,9
9-215079-0	2-215079-0	20	24,13	27,4



- NOTES:
- 1 DIRECTION OF KINK IS OPTIONAL
 - 2 CORING OUTS ARE OPTIONAL
 - 3 1-215079-0 AS DRAWN
 - 4 TIN OVER NICKEL PLATING.



2	FEMALE HOUSING	PBT 20 % G.F.	
1	FEMALE CONTACT	PHOSFOR BRONZE	4
ITEM NO.	DESCRIPTION	MATERIAL	FINISH

THIS DRAWING IS A CONTROLLED DOCUMENT FOR TYCO ELECTRONICS CORPORATION. IT IS SUBJECT TO CHANGE AND THE CONTROLLING ENGINEERING ORGANIZATION SHOULD BE CONTACTED FOR THE LATEST REVISION.

DIMENSIONS:	TOLERANCES UNLESS OTHERWISE SPECIFIED:
mm	
0 PLC	±
1 PLC	±
2 PLC	±
3 PLC	±
4 PLC	±
ANGLES	±
MATERIAL	FINISH
-	-

DWN	M. GOSSELINK		TYCO ELECTRONICS NEDERLAND B.V.	
CHK	-		's-HERTOGENBOSCH, THE NETHERLANDS	
APVD	-	NAME	Micro-MaTch	
PRODUCT SPEC	108-19052	FEMALE ON BOARD CONNECTOR		
APPLICATION SPEC	-	SIZE	CAGE CODE	DRAWING NO
WEIGHT	-	A3	00779	C-215079
CUSTOMER DRAWING		SCALE	SHEET	REV
		5:1	1	V