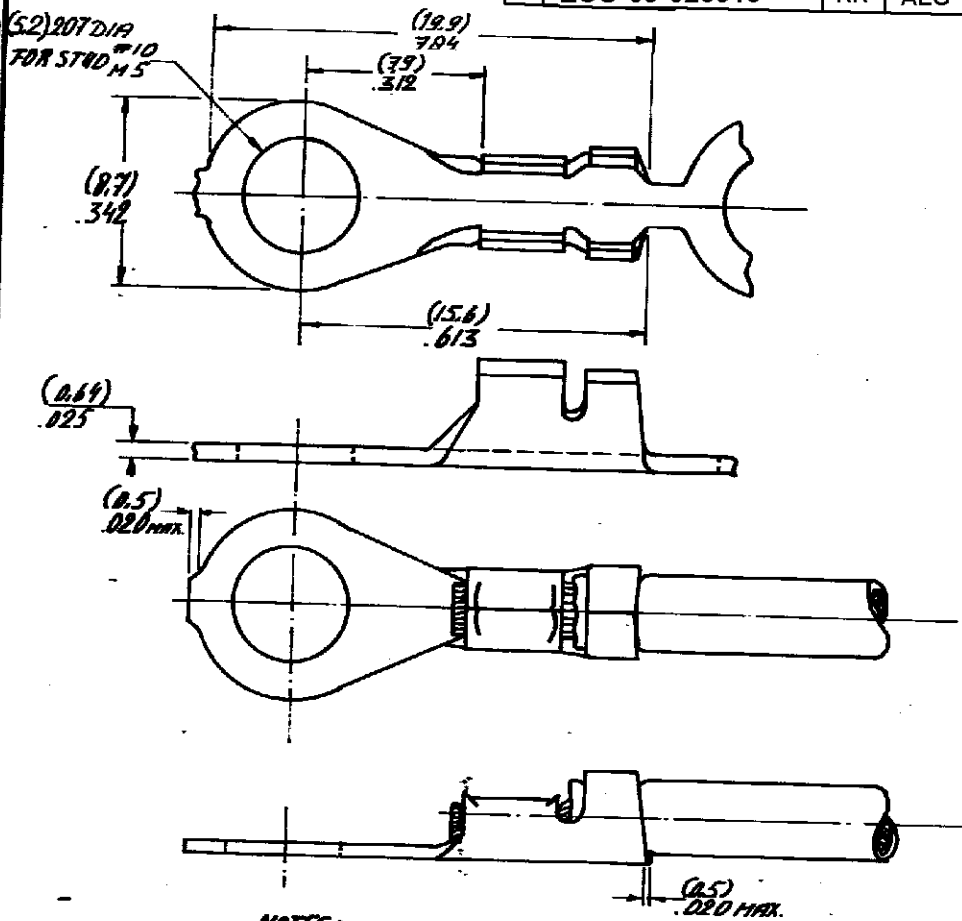


DRAWING MADE IN AMERICAN PROJECTION

LTR.	REVISION RECORD	DR.	CHK.	DATE
D1	ECO-09-026346	KK	AEG	25NOV09

PART NO. C.160102



NOTES:

- ④ OBSOLETE PARTS: OBSOLETE CIS STREAMLINING PER D.RENAUD/D.SINISI
- ① FOR USE ON MINIATURE APPLICATORS (LEFT-RIGHT FEED) AMP. & MOTOR APPLICATION
- ② FOR USE ON STANDARD AND MINIATURE APPLICATORS
- ③ REFILED WITH PAPER COVER
- ⑤ OBSOLETE

DIMENSIONS IN () DO NOT SCALE PRINT

160102-6	PHOSPH. BRONZE	-H	② ③
160102-5	BRASS	-H	② ③
160102-4	BRASS	-H	② ③
160102-3	PHOSPH. BR.	-H	② ③
160102-2	BRASS	TIN	② ③
160102-1	BRASS	-H	② ③

CUSTOMER COPY FOR REFERENCE ONLY

©1980 BY AMP-HOLLAND N.V. ALL RIGHTS RESERVED A-MP PRODUCTS COVERED BY PATENTS AND/OR PATENTS PENDING.



AMP-HOLLAND B.V.
's-Hertogenbosch

ORDER NO.	MATERIAL	PLATING
DATE	DATE	DATE
DATE	DATE	DATE

WIRE AWG	WIRE SIZE	FIRST USED
20-16 AWG	330-120 DIA	
0.5-1.5mm	2.0-3.0	
SCALE	SIZE	NO
N.T.S.	A	C.160102
DATE	DATE	DATE

RING TONGUE WITH INS. SUPPORT

REV D1