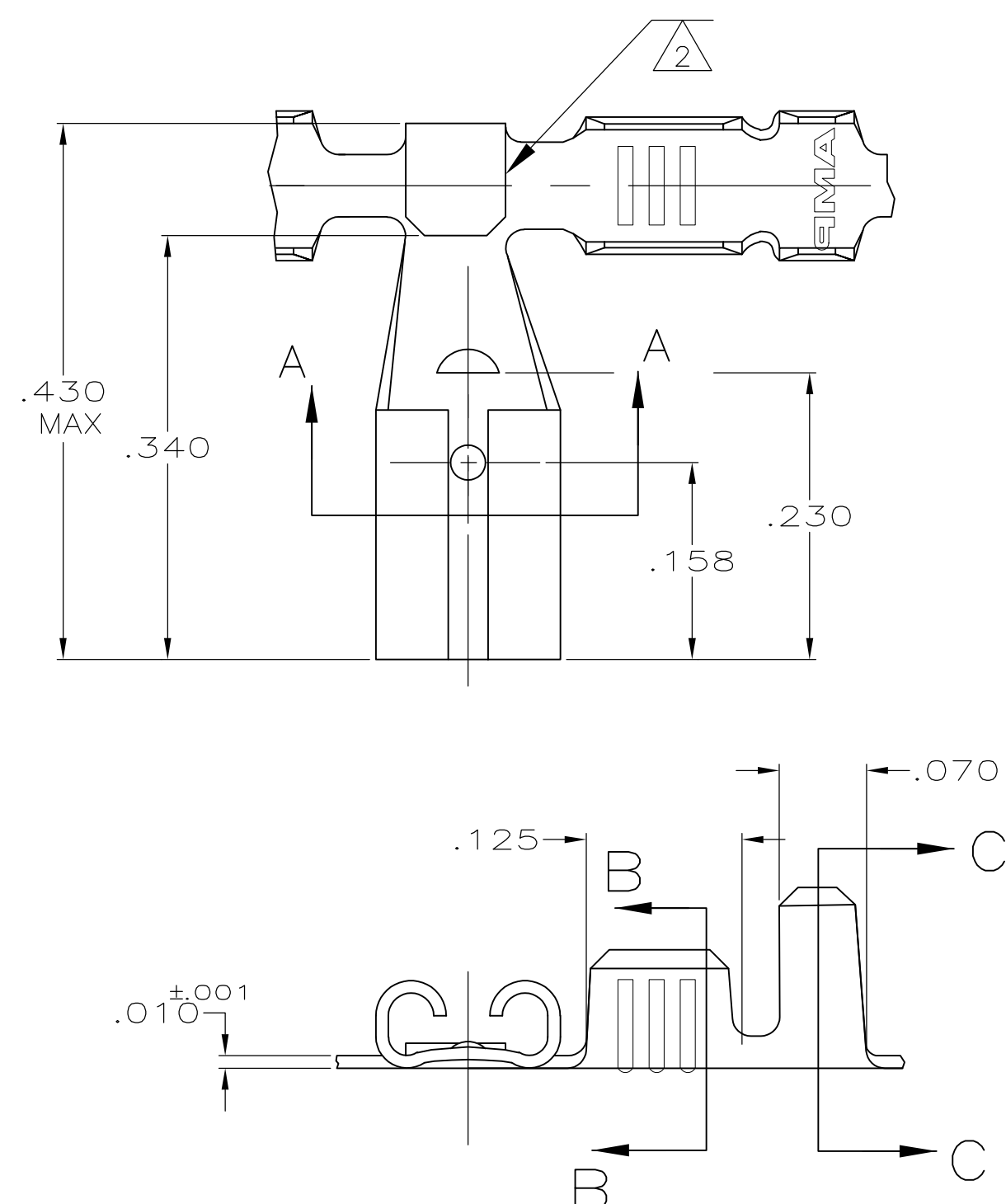
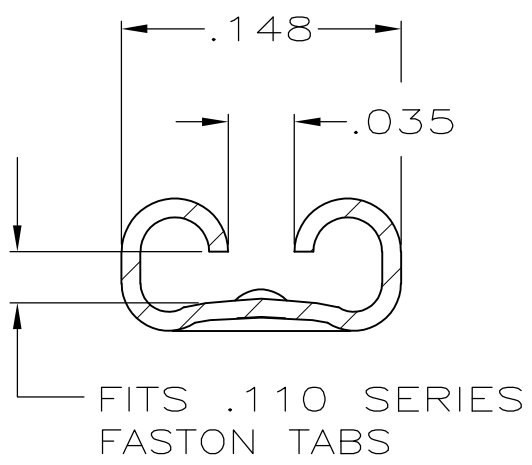


THIS DRAWING IS UNPUBLISHED. RELEASED FOR PUBLICATION
 © COPYRIGHT BY TYCO ELECTRONICS CORPORATION. ALL INTERNATIONAL RIGHTS RESERVED.

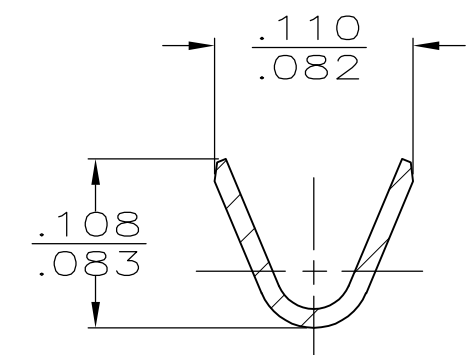
LOC	DIST	REVISIONS			
P	LTR	DESCRIPTION	DATE	DWN	APVD
AF	50	C1	REVISED PER ECR-08-029681	05DEC08	HMR PD



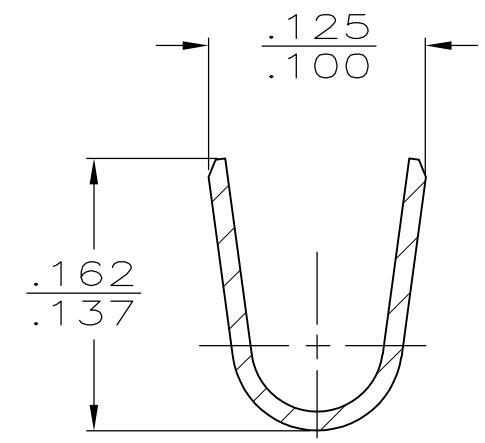
1 CONTINUOUS STRIP ON REELS
 2 GAP PERMISSABLE IN THIS AREA



SECTION A-A
SCALE 10:1



SECTION B-B
SCALE 10:1



SECTION C-C
SCALE 10:1

2	NICKEL	CR STEEL	.060-.100 DIA	22-18 AWG	.032	62336-2
	PRE-TIN	H04 BRASS				62336-1
	FINISH	MATERIAL	INSULATION RANGE	WIRE SIZE	MATING TAB THK ±.001	PART NO

THIS DRAWING IS A CONTROLLED DOCUMENT.		DWN JR RUTH 4/22/91	Tyco Electronics Corporation Harrisburg, PA 17105-3608			
DIMENSIONS: INCHES		CHK MS FEHER 4/22/91	NAME RECEPTACLE, FASTON, FLAG, .110 SERIES			
TOLERANCES UNLESS OTHERWISE SPECIFIED:		APVD C MEYERS 4/22/91	PRODUCT SPEC D REINER 4/22/91			
MATERIAL SEE TABLE		FINISH SEE TABLE	APPLICATION SPEC	SIZE A3	CAGE CODE 00779	DRAWING NO C-62336
CUSTOMER DRAWING			WEIGHT -	RESTRICTED TO -	SCALE 8:1	SHEET 1 OF 1
				REV C1		