

# 01P UMNL PLUG HSG NATL ✓ ACTIVE

MATE-N-LOK | Universal MATE-N-LOK

TE Part # 1-350867-0

TE Internal #: 1-350867-0

[View on TE.com >](#)



Connectors > Power Connectors > Rectangular Power > Rectangular Power Connectors



Product Type: **Housing**

Housing Type: **Plug**

Connector System: **Wire-to-Wire**

Number of Positions: **1**

Sealable: **No**

## Features

### Product Type Features

Product Type	Housing
Housing Type	Plug
Connector System	Wire-to-Wire
Sealable	No
Connector & Contact Terminates To	Wire & Cable
Contact Type	Socket

### Configuration Features

Number of Positions	1
Number of Rows	1

### Electrical Characteristics

Operating Voltage	600 VAC
-------------------	---------

### Contact Features

Multiple Contact Types	Without
Contact Retention	Without

### Termination Features



Termination Method to Wire & Cable	Crimp
------------------------------------	-------

### Mechanical Attachment

Connector Mounting Type	Cable Mount (Free-Hanging)
-------------------------	----------------------------

### Housing Features

UL Flammability Rating	UL 94V-2
------------------------	----------

Housing Color	Natural
---------------	---------

Housing Material	Nylon
------------------	-------

### Usage Conditions

Operating Temperature Range	-55 – 105 °C[-67 – 221 °F]
-----------------------------	----------------------------

### Operation/Application

Assembly Integration Feature	Without
------------------------------	---------

Circuit Application	Power & Signal
---------------------	----------------

### Industry Standards

Glow Wire Rating	Standard Part - Not Glow Wire
------------------	-------------------------------

UL Rating	Recognized
-----------	------------

Agency/Standard Number	E28476
------------------------	--------

VDE Tested	Yes
------------	-----

Agency/Standard	UL
-----------------	----

### Packaging Features

Packaging Method	Package
------------------	---------

Packaging Quantity	1
--------------------	---

### Other

For Use With	Appropriate Universal MATE-N-LOK Cap
--------------	--------------------------------------

### Product Compliance

[For compliance documentation, visit the product page on TE.com>](#)

EU RoHS Directive 2011/65/EU	Compliant
------------------------------	-----------

EU ELV Directive 2000/53/EC	Compliant
-----------------------------	-----------

China RoHS 2 Directive MIIT Order No 32, 2016	No Restricted Materials Above Threshold
---	---

EU REACH Regulation (EC) No. 1907/2006	Current ECHA Candidate List: JAN 2019 (197) Candidate List Declared Against: JAN 2019 (197)
--	--

Halogen Content	Low Halogen - Br, Cl, F, I < 900 ppm per homogenous material. Also BFR/CFR/PVC Free
Solder Process Capability	Not applicable for solder process capability

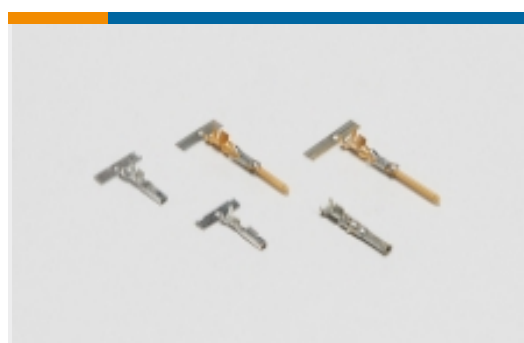
Product Compliance Disclaimer

This information is provided based on reasonable inquiry of our suppliers and represents our current actual knowledge based on the information they provided. This information is subject to change. The part numbers that TE has identified as EU RoHS compliant have a maximum concentration of 0.1% by weight in homogenous materials for lead, hexavalent chromium, mercury, PBB, PBDE, DBP, BBP, DEHP, DIBP, and 0.01% for cadmium, or qualify for an exemption to these limits as defined in the Annexes of Directive 2011/65/EU (RoHS2). Finished electrical and electronic equipment products will be CE marked as required by Directive 2011/65/EU. Components may not be CE marked. Additionally, the part numbers that TE has identified as EU ELV compliant have a maximum concentration of 0.1% by weight in homogenous materials for lead, hexavalent chromium, and mercury, and 0.01% for cadmium, or qualify for an exemption to these limits as defined in the Annexes of Directive 2000/53/EC (ELV). Regarding the REACH Regulations, TE's information on SVHC in articles for this part number is still based on the European Chemical Agency (ECHA) 'Guidance on requirements for substances in articles' (Version: 2, April 2011), applying the 0.1% weight on weight concentration threshold at the finished product level. TE is aware of the European Court of Justice ruling of September 10th, 2015 also known as O5A (Once An Article Always An Article) stating that, in case of 'complex object', the threshold for a SVHC must be applied to both the product as a whole and simultaneously to each of the articles forming part of its composition. TE has evaluated this ruling based on the new ECHA "Guidance on requirements for substances in articles" (June 2017, version 4.0) and will be updating its statements accordingly.

### Compatible Parts



Connector Contacts(7)



Power Contacts(144)



Rectangular Power Connectors(1)

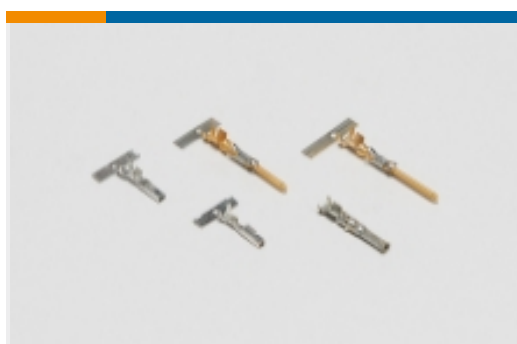
### Also in the Series | Universal MATE-N-LOK



Circular Power Connectors (2)



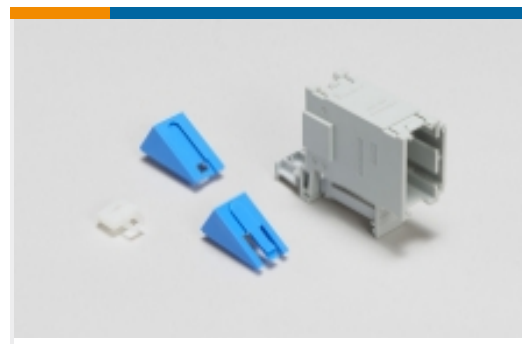
Connector Contacts(11)



Power Contacts(208)



Rectangular Boots & Strain Relief(35)



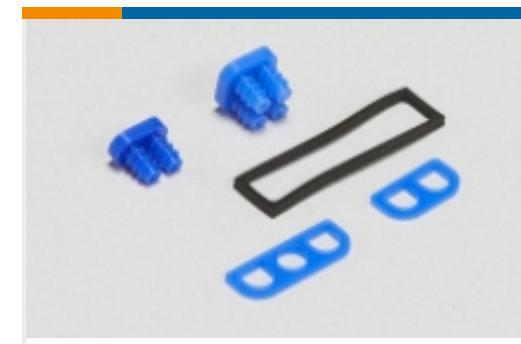
Rectangular Connector Adapters(7)



Rectangular Connector Housings(3)



Rectangular Connector Keying Plugs(3)



Rectangular Connector Seals(26)



Rectangular Power Connectors(717)

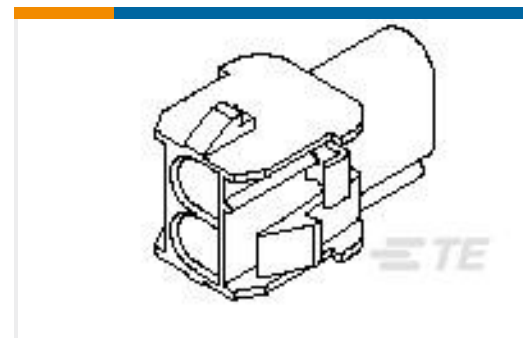


Wire-to-Board Headers & Receptacles(3)

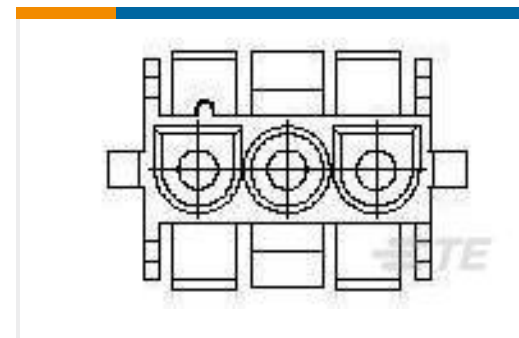
## Customers Also Bought



TE Part #770421-1  
01P UMNL CAP HSG NATL



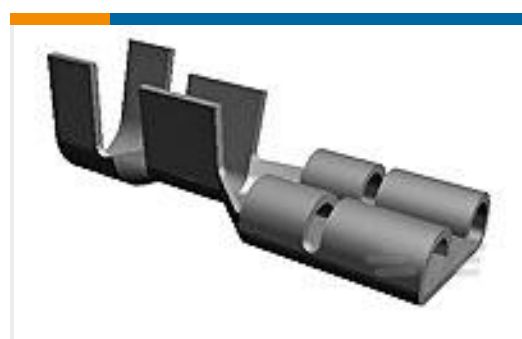
TE Part #794815-1  
02P UMNL CAP HSG,HI TEMP



TE Part #794900-1  
03P UMNL HI TEMP CAP HSG



TE Part #40955  
RING 20-16 AWG .0295 X .390 TPBR



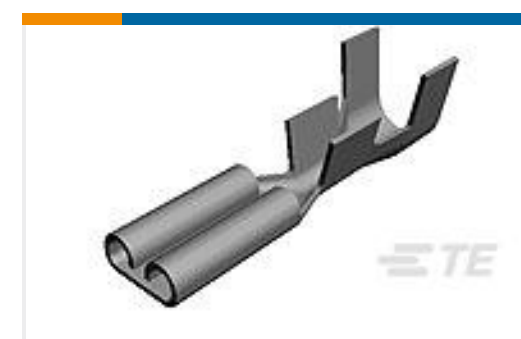
TE Part #63609-2  
FASTON 250 RECEPTACLE 22-18 AWG TPBR



TE Part #61397-1  
RING TERMINAL CRIMP 18-14 AWG TPBR



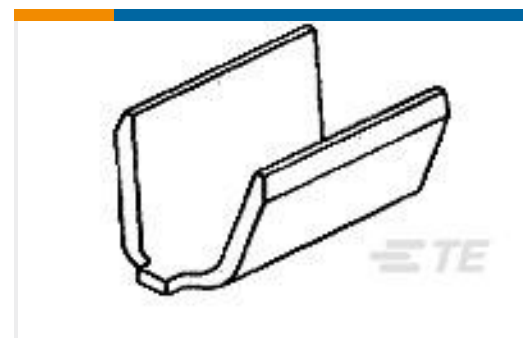
TE Part #42742-2  
FASTON 250 FLAG REC 18-12 AWG TPBR



TE Part #41728  
FASTON 250(6.3 MM) REC 16-12 AWG TPBR



TE Part #1217094-1  
RCPT 250 POS-LOCK 18-14 0126BR



TE Part #63625-1  
SPLICE 5000-16000 .025 BR

## Documents



### Product Drawings

#### 01P UMNL PLUG HSG NATL

English

---

### CAD Files

#### Customer View Model

[ENG\\_CVM\\_1-350867-0\\_M.2d\\_dxf.zip](#)

English

#### Customer View Model

[ENG\\_CVM\\_1-350867-0\\_M.3d\\_igs.zip](#)

English

#### Customer View Model

[ENG\\_CVM\\_1-350867-0\\_M.3d\\_stp.zip](#)

English

### 3D PDF

English

---

### Datasheets & Catalog Pages

#### SOFT\_SHELL\_PIN\_SOCKET\_CONNECTORS\_STANDARD\_DENSITY

English

---

### Product Specifications

#### Application Specification

English

---

### Product Environmental Compliance

#### MD\_1-350867-0\_031820182310\_dmtec

English

[MD\\_1-350867-0\\_031820182310\\_dmtec](#)

English

---

### Instruction Sheets

#### Instruction Sheet (U.S.)

English

#### Instruction Sheet (U.S.)

English

---

### Agency Approvals

#### VDE Certificate

English