

100 50SR BSHELL KIT,M JSCREW ✓ ACTIVE

TE Part # 5749854-1

TE Internal #: 5749854-1

[View on TE.com >](#)



Connectors > D-Shaped Connectors > D-Sub Accessories > Locking & Mounting



Screw Length: 6.35 mm, 36.93 mm [.25 in, 1.454 in]

Connector System: **Wire-to-Board**

Number of Positions: **100**

Sealable: **No**

Connector & Contact Terminates To: **Wire & Cable**

Features

Product Type Features

Connector System	Wire-to-Board
Sealable	No
Connector & Contact Terminates To	Wire & Cable

Configuration Features

Number of Positions	100
---------------------	-----

Mechanical Attachment

Screw Length	6.35 mm, 36.93 mm [.25 in][1.454 in]
Connector Mounting Type	Cable Mount (Free-Hanging)

Usage Conditions

Operating Temperature Range	-55 – 105 °C[-67 – 221 °F]
-----------------------------	----------------------------

Product Compliance

[For compliance documentation, visit the product page on TE.com>](#)

EU RoHS Directive 2011/65/EU	Compliant with Exemptions
EU ELV Directive 2000/53/EC	Compliant with Exemptions

China RoHS 2 Directive MIIT Order No 32, 2016	Restricted Materials Above Threshold
EU REACH Regulation (EC) No. 1907/2006	Current ECHA Candidate List: JAN 2019 (197) Candidate List Declared Against: JUN 2013 (144)
Halogen Content	Low Halogen - Br, Cl, F, I < 900 ppm per homogenous material. Also BFR/CFR/PVC Free
Solder Process Capability	Not applicable for solder process capability

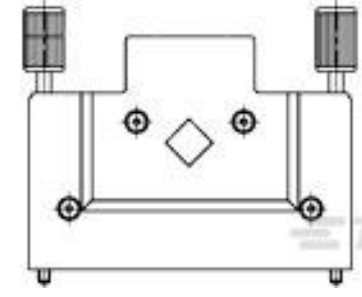
Product Compliance Disclaimer

This information is provided based on reasonable inquiry of our suppliers and represents our current actual knowledge based on the information they provided. This information is subject to change. The part numbers that TE has identified as EU RoHS compliant have a maximum concentration of 0.1% by weight in homogenous materials for lead, hexavalent chromium, mercury, PBB, PBDE, DBP, BBP, DEHP, DIBP, and 0.01% for cadmium, or qualify for an exemption to these limits as defined in the Annexes of Directive 2011/65/EU (RoHS2). Finished electrical and electronic equipment products will be CE marked as required by Directive 2011/65/EU. Components may not be CE marked. Additionally, the part numbers that TE has identified as EU ELV compliant have a maximum concentration of 0.1% by weight in homogenous materials for lead, hexavalent chromium, and mercury, and 0.01% for cadmium, or qualify for an exemption to these limits as defined in the Annexes of Directive 2000/53/EC (ELV). Regarding the REACH Regulations, TE's information on SVHC in articles for this part number is still based on the European Chemical Agency (ECHA) 'Guidance on requirements for substances in articles' (Version: 2, April 2011), applying the 0.1% weight on weight concentration threshold at the finished product level. TE is aware of the European Court of Justice ruling of September 10th, 2015 also known as O5A (Once An Article Always An Article) stating that, in case of 'complex object', the threshold for a SVHC must be applied to both the product as a whole and simultaneously to each of the articles forming part of its composition. TE has evaluated this ruling based on the new ECHA "Guidance on requirements for substances in articles" (June 2017, version 4.0) and will be updating its statements accordingly.

Customers Also Bought



TE Part #5750752-1
68 50SR BKSHLL KIT W /BOOT



TE Part #5786152-3
68 50SR BKSHL KIT W/JS, UNPNTD,



TE Part #5749070-9
100 50SR VERT RCPT ASSY



TE Part #5748476-1
KIT,PLUG,62P,HDP-22, SHLD ENCLS



TE Part #5749081-1
100 50SR BSHLL KIT,M J-SCR



TE Part #5749621-9
100 50S CABLE PLUG CONN/COV KI



TE Part #5749111-8
100 50SR CABLE PLUG ASSY



TE Part #3-747580-1
SHLDNG FERRULE, PLTD, BULK PKG



Documents

Product Drawings

100 50SR BSHELL KIT,M JSCREW

English

CAD Files

3D PDF

3D

Customer View Model

[ENG_CVM_CVM_5749854-1_O.2d_dxf.zip](#)

English

Customer View Model

[ENG_CVM_CVM_5749854-1_O.3d_igs.zip](#)

English

Customer View Model

[ENG_CVM_CVM_5749854-1_O.3d_stp.zip](#)

English

Datasheets & Catalog Pages

[AMPLIMITE Subminiature D Connectors - .050 Series Connector](#)

English

Product Specifications

[Application Specification](#)

English

Product Environmental Compliance

[TE Material Declaration](#)

English