

AMP-LATCH 15.2 HIGH TAPE ✓ ACTIVE

AMP-LATCH

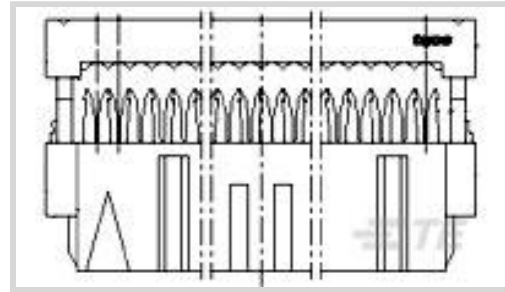
TE Part # 2-215915-0

TE Internal #: 2-215915-0

[View on TE.com >](#)



Connectors > PCB Connectors > Wire-to-Board Connectors > FFC, FPC & Ribbon Connectors > Ribbon Cable Connectors



Connector System: **Wire-to-Board**

Number of Positions: **20**

Centerline (Pitch): **2.54 mm [.1 in]**

Termination Method to Wire & Cable: **Insulation Displacement Crimp (IDC)**

Row-to-Row Spacing: **2.54 mm [.1 in]**

Features

Product Type Features

Product Type	Connector
Wire/Cable Type	Ribbon Cable
Connector System	Wire-to-Board
Row-to-Row Spacing	2.54 mm[.1 in]
Connector Style	Receptacle
Connector & Contact Terminates To	Wire & Cable

Configuration Features

Number of Positions	20
Number of Rows	2

Contact Features

Contact Thickness	30 μ m
Contact Mating Area Plating Material	Gold
Contact Current Rating (Max)	1 A

Termination Features

Termination Method to Wire & Cable	Insulation Displacement Crimp (IDC)
------------------------------------	-------------------------------------

Mechanical Attachment

Mating Alignment Type	Polarization
Mating Connector Lock	With
Mating Connector Lock Type	Latch

Connector Mounting Type

Cable Mount (Free-Hanging)

Housing Features

Housing Color

Gray

Centerline (Pitch)

2.54 mm[.1 in]

Usage Conditions

Operating Temperature Range

-65 – 105 °C[-85 – 221 °F]

Operation/Application

Circuit Application

Signal

Product Compliance

For compliance documentation, visit the product page on [TE.com](#)>

EU RoHS Directive 2011/65/EU

Compliant

EU ELV Directive 2000/53/EC

Compliant

China RoHS 2 Directive MIIT Order No 32, 2016

No Restricted Materials Above Threshold

EU REACH Regulation (EC) No. 1907/2006

Current ECHA Candidate List: JAN 2019 (197)
Candidate List Declared Against: JUN 2018 (191)

Halogen Content

Not Low Halogen - contains Br or Cl > 900 ppm.

Solder Process Capability

Not applicable for solder process capability

Product Compliance Disclaimer

This information is provided based on reasonable inquiry of our suppliers and represents our current actual knowledge based on the information they provided. This information is subject to change. The part numbers that TE has identified as EU RoHS compliant have a maximum concentration of 0.1% by weight in homogenous materials for lead, hexavalent chromium, mercury, PBB, PBDE, DBP, BBP, DEHP, DIBP, and 0.01% for cadmium, or qualify for an exemption to these limits as defined in the Annexes of Directive 2011/65/EU (RoHS2). Finished electrical and electronic equipment products will be CE marked as required by Directive 2011/65/EU. Components may not be CE marked. Additionally, the part numbers that TE has identified as EU ELV compliant have a maximum concentration of 0.1% by weight in homogenous materials for lead, hexavalent chromium, and mercury, and 0.01% for cadmium, or qualify for an exemption to these limits as defined in the Annexes of Directive 2000/53/EC (ELV). Regarding the REACH Regulations, TE's information on SVHC in articles for this part number is still based on the European Chemical Agency (ECHA) 'Guidance on requirements for substances in articles' (Version: 2, April 2011), applying the 0.1% weight on weight concentration threshold at the finished product level. TE is aware of the European Court of Justice ruling of September 10th, 2015 also known as O5A (Once An Article Always An Article) stating that, in case of 'complex object', the threshold for a SVHC must be applied to both the product as a whole and simultaneously to each of the articles forming part of its composition. TE has evaluated this ruling based on the new ECHA "Guidance on requirements for substances in articles" (June 2017, version 4.0) and will be updating its statements accordingly.

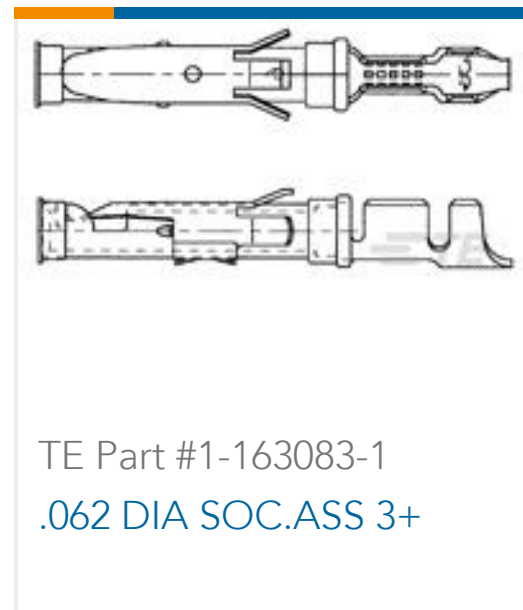
Customers Also Bought

AMP-LATCH 15.2 HIGH TAPE

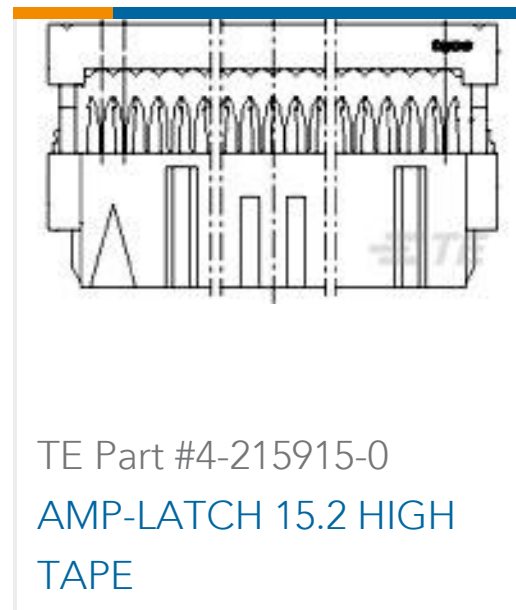
TE Part # 2-215915-0
TE Internal #: 2-215915-0



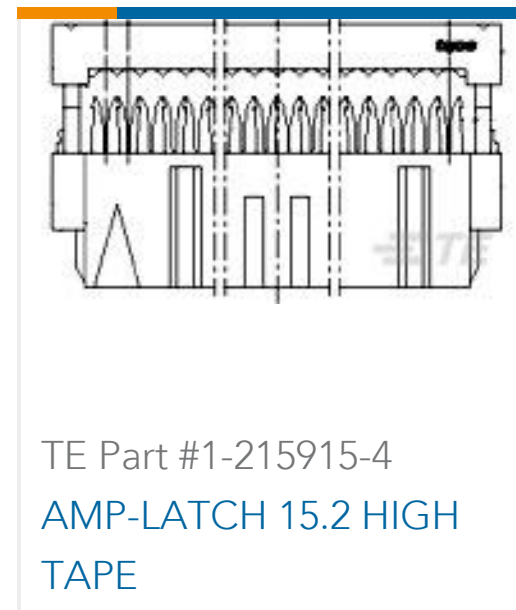
TE Part #102100-1
MOD I RECP PLTD 15 SEL



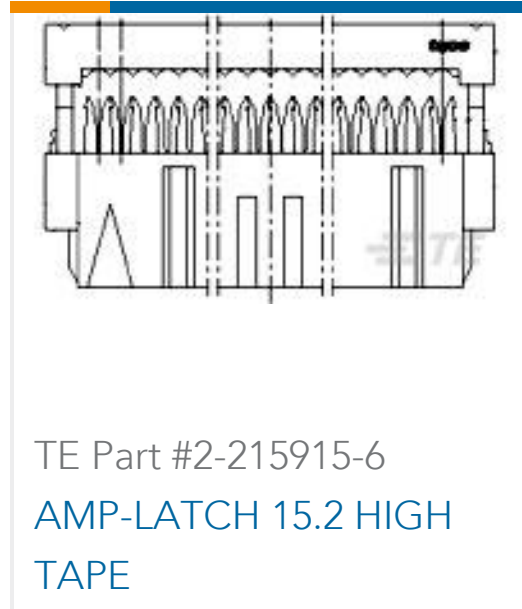
TE Part #1-163083-1
.062 DIA SOC.ASS 3+



TE Part #4-215915-0
AMP-LATCH 15.2 HIGH
TAPE



TE Part #1-215915-4
AMP-LATCH 15.2 HIGH
TAPE



TE Part #2-215915-6
AMP-LATCH 15.2 HIGH
TAPE



TE Part #9-1437357-0
171-40G100M=40P 28A



TE Part #151667-4
FF 375 REC TERMINAL 11-
10 AWG PBR



TE Part #1-826629-5
15P AMPMODU II STIFT
LEI



TE Part #1-925366-5
MOD 4 REC.HSG 1X15P



TE Part #62459-1
MAG-MATE SLOT 27-23
016 TPBR

Documents

Product Drawings

[AMP-LATCH 15.2 HIGH TAPE](#)

English

CAD Files

[3D PDF](#)

3D

Customer View Model

[ENG_CVM_CVM_2-215915-0_F.2d_dxf.zip](#)

English

Customer View Model

[ENG_CVM_CVM_2-215915-0_F.3d_igs.zip](#)

English

Customer View Model

[ENG_CVM_CVM_2-215915-0_F.3d_stp.zip](#)

English