

TCT50-01E07K

Description:

Triad control transformers come with tamper resistant shrouds for safety and a steel bracket welded to the bottom of the transformer for ease of mounting. These transformers are design and have the safety agency recognition for application where a Class 2 transformer is necessary. Some of the applications would include, but not limited to HVAC, Control boards, Lighting, etc.

Electrical Specifications (@25C):

1. Maximum Power: 50VA
2. Input (BLK-WHT): 120V, 50/60 Hz, (Fuse: 0.800A Max)
3. Output (YEL-YEL): 24V @ 2.08Amps, (Fuse: 3.0A Max)
4. Voltage Regulation: 15% TYP @ full load to no load
5. Temperature Rise: <math><40^{\circ}\text{C}</math> TYP
6. Hipot: 1500VAC – Input to Output, Input & Output to Core
7. Recommended Fusing: UL Listed, 3AG time-delay type. Fuse can be use on primary or secondary.

Construction:

Three flange bobbin construction with primaries and secondaries wound side by side for low capacitive coupling. Unit weight is 2.0lbs.

Agency File:

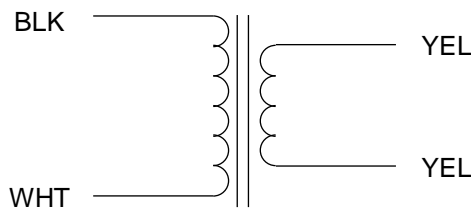
UL: File E65390, UL 5085-3 (1585), Class 2 Transformer
cUL: File E65390, UL 5085-3 (1585) For Canadian Use (CSA 22.2, No.66.3-06)



Connections:

Input: 12 ± 1 " insulated leads, stripped and tinned 0.20 ± 0.08 ", 18AWG stranded
Output: 12 ± 1 " insulated leads, stripped and tinned 0.20 ± 0.08 ", 18AWG stranded

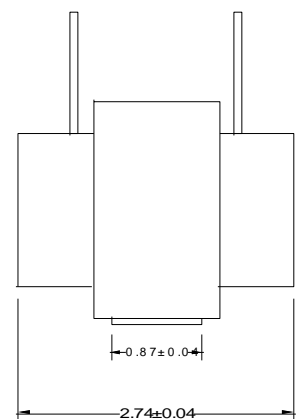
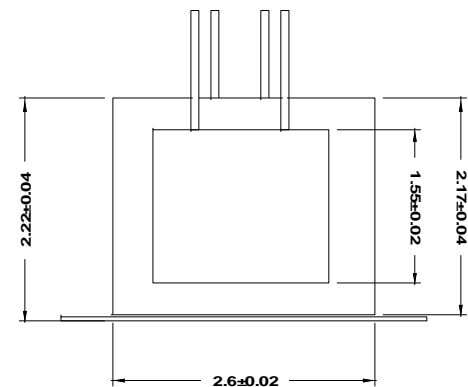
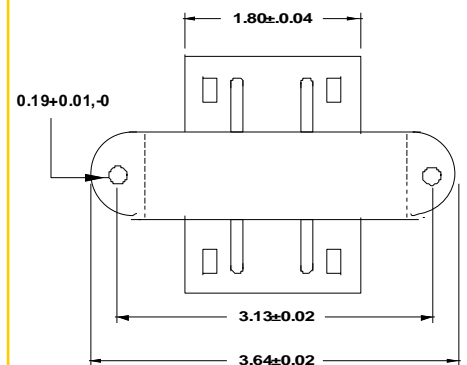
Schematic:



RoHS Compliance: As of manufacturing date February 2016, all standard products meet the requirements of 2015/863/EU, known as the RoHS 3 initiative.

As of April 7, 2008, UL standards 506 and 1585 will be migrated to UL 5085-2 and 5085-3, respectively.

* Upon printing, this document is considered "uncontrolled". Please contact Triad Magnetics' website for the most current version.



Mouser Electronics

Authorized Distributor

Click to View Pricing, Inventory, Delivery & Lifecycle Information:

[Triad Magnetics:](#)

[TCT50-01E07K](#)