



SCHROFF

Project - 0 item(s)

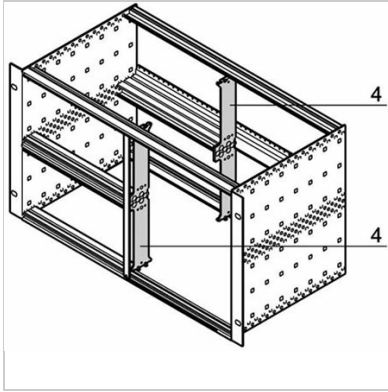
MY PROJECT LIST

- PRODUCTS
- APPLICATIONS
- INDUSTRIES
- NEW PRODUCTS
- CONFIGURATORS
- Products ▾
- Search
-

Home > Splitting extrusion 6 U for combined mounting



Splitting extrusion 6 U for combined mounting



Catalog Number: 64560-010

[Back To Product](#)

- The support member is bolted into the grid holes of the horizontal rails. The support member can also be screwed on.
- Accessory part no. which belongs to main products

Description:

Splitting extrusion

Product family:

- PropacPRO
- CompacPRO
- EuropacPRO
- RatiopacPRO

Type:

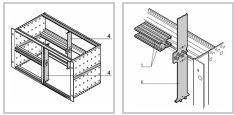
Individual Components

Individual Component Type:

Combined Mounting



Other Views



Select product specifications before modifying or adding to project list or requesting a quote.

[Clear Selection](#)

Quantity

Add Item to Project List +

Documents

- Main Catalog - EuropacPRO
- User manual

Links

- Native CAD files

Recently Viewed

- Splitting extrusion 6 U for combined mounting**

Technical Data

Qty	1 piece
Material	Diecast zinc
Item	4
Description	Splitting extrusion
Description	6 U, die-cast zinc; splitting extrusion is inserted in the grid holes of the horizontal rail; the splitting extrusion can be bolted

Delivery Comprises:

Item	Quantity	Description
4	1	Support member 6 U, Zn die-cast



Countersunk screw, Torx (M4x14), steel zinc plated, PU 100 pcs

24560-145

[Add Item to Project List +](#)

EXPLORE

- [About Us](#)
- [Services & Capabilities](#)
- [News & Events](#)
- [Newsletter Subscriptions](#)
- [Strategic Partnerships](#)
- [Investor Relations](#)

CONTACT

- [Customer Service](#)
- [Find a Sales Office or Distributor](#)
- [Global Locations](#)
- [Product Compliance & Certifications](#)
- [Partner Login](#)

DOWNLOAD

- [Download Center](#)
- [Reference Projects](#)
- [Videos](#)
- [Product Configurators](#)
- [Warranties and Terms of Sale & Procurement](#)

© 2018 nVent. All rights reserved | [Privacy Policy](#) | [Terms of Use](#) | [Cookie Policy](#) | [Imprint](#) | [Site Map](#)

Connect With Us

