

34142 ✓ ACTIVE

PLASTI-GRIP | PLASTI-GRIP

TE Internal #: 34142

PLASTI-GRIP, Rings & Spades, Ring Tongue, 22AWG Wire Size, .3 –

1.42mm² Wire Size, 509 – 3260CMA Wire Size, #6 / M3.5, Stud

Diameter 3.68 mm [.145 in]

[View on TE.com >](#)



Terminals & Splices > Rings & Spades



Terminal & Splice Type: **Ring Tongue**

Wire Size: **509 – 3260 CMA**

Stud Size: **#6, M3.5**

Features

Product Type Features

Shape Description	RING-043
Stud Size	#6, M3.5
Barrel Type	Closed Barrel
Sealable	No
Insulated	Yes
Wire/Cable Type	Regular Wire
Support Style	Insulation Support

Configuration Features

Number of Holes	1
Terminal Angle	Straight

Electrical Characteristics

Voltage (Max)	600 V
---------------	-------

Body Features

Inspection Slot	No
Insulation Sleeve Color	Red
Stripe Color	Red
Plating Material	Copper, Tin

Contact Features

Terminal & Splice Type	Ring Tongue
------------------------	-------------



Terminal Orientation

Offset

Mechanical Attachment

Wire Insulation Support

With

Dimensions

Wire Size

509 – 3260 CMA

Stud Diameter

3.68 mm [.145 in]

Tongue Thickness

.79 mm [.031 in]

Overall Length

17.37 mm [.684 in]

Wire Insulation Diameter (Max)

3.56 mm [.14 in]

Wire Insulation Diameter

2.667 – 3.556 mm [.105 – .14 in]

Usage Conditions

Operating Temperature Range

105 °C [221 °F]

Operation/Application

Heavy Duty

No

Industry Standards

Government Qualified

No

Packaging Features

Packaging Quantity

1000

Packaging Method

Loose Piece

Product Compliance

[For compliance documentation, visit the product page on TE.com>](#)

EU RoHS Directive 2011/65/EU

Compliant

EU ELV Directive 2000/53/EC

Compliant

China RoHS 2 Directive MIIT Order No 32, 2016

No Restricted Materials Above Threshold

EU REACH Regulation (EC) No. 1907/2006

Current ECHA Candidate List: JUN 2020 (209)
 Candidate List Declared Against: JUN 2020 (209)
 Does not contain REACH SVHC

Halogen Content

Low Halogen - Br, Cl, F, I < 900 ppm per homogenous material. Also BFR/CFR/PVC Free

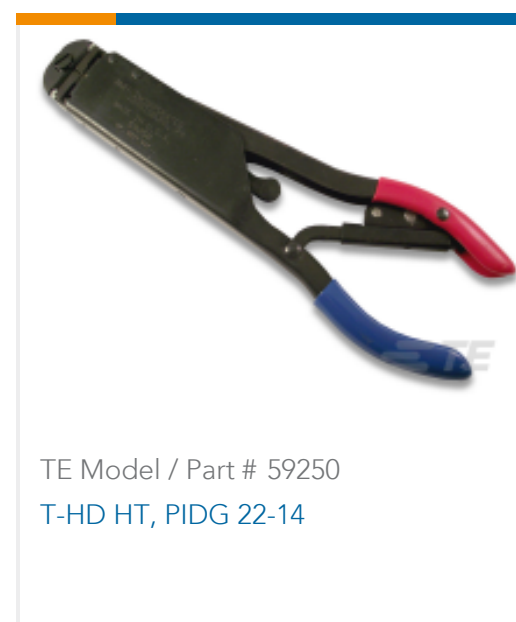
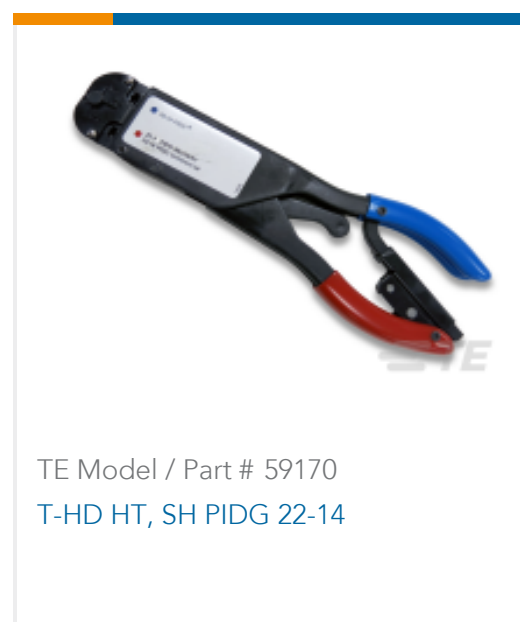
Solder Process Capability

Not applicable for solder process capability

Product Compliance Disclaimer

This information is provided based on reasonable inquiry of our suppliers and represents our current actual knowledge based on the information they provided. This information is subject to change. The part numbers that TE has identified as EU RoHS compliant have a maximum concentration of 0.1% by weight in homogenous materials for lead, hexavalent chromium, mercury, PBB, PBDE, DBP, BBP, DEHP, DIBP, and 0.01% for cadmium, or qualify for an exemption to these limits as defined in the Annexes of Directive 2011/65/EU (RoHS2). Finished electrical and electronic equipment products will be CE marked as required by Directive 2011/65/EU. Components may not be CE marked. Additionally, the part numbers that TE has identified as EU ELV compliant have a maximum concentration of 0.1% by weight in homogenous materials for lead, hexavalent chromium, and mercury, and 0.01% for cadmium, or qualify for an exemption to these limits as defined in the Annexes of Directive 2000/53/EC (ELV). Regarding the REACH Regulation, the information TE provides on SVHC in articles for this part number is based on the latest European Chemicals Agency (ECHA) 'Guidance on requirements for substances in articles' posted at this URL: <https://echa.europa.eu/guidance-documents/guidance-on-reach>

Compatible Parts





TE Model / Part # 9-1377172-4
SMP 0-0034142-0



TE Model / Part # 169404
CERTI-LOK DIE



TE Model / Part # 169400
CERTI-LOK

Also in the Series | PLASTI-GRIP



Compression Connectors(3)



Crimp Wire Pins, Tabs & Ferrules(11)



Rings & Spades(208)



Splices(45)

Customers Also Bought



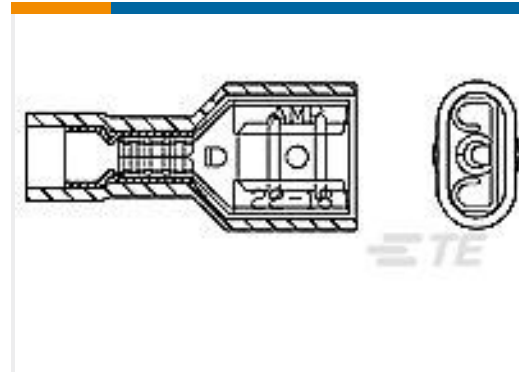
TE Model / Part #9-160583-2
PIDG FASTON RECPT QUICK DISCONNECTS



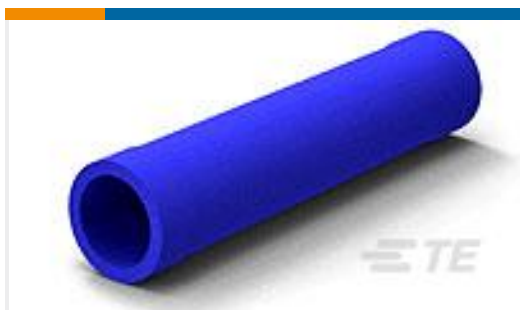
TE Model / Part #205206-3
CRIMP SNAP PLUG ASSY, SIZE 2



TE Model / Part #1658671-1
HDP-22, PLUG, SIZE 2, 26 POSN



TE Model / Part #735278
250 SERIES FASTON REC. PIDG



TE Model / Part #34071
SPLICE, PG BUTT 16-14



TE Model / Part #34158
TERMINAL, PG R 16-14 6



TE Model / Part #34070
PG BUTT SPLC 22-16 COMM 22-18 MIL



TE Model / Part #34160
TERMINAL, PG R 16-14 8



TE Model / Part #34148
PG R 22-16 COMM 22-18 MIL 8



Documents

Product Drawings

[PG R 22-16 COMM 22-18 MIL 6](#)

English

CAD Files

[3D PDF](#)

English

Customer View Model

[ENG_CVM_34142_P.2d_dxf.zip](#)

English

Customer View Model

[ENG_CVM_34142_P.3d_igs.zip](#)

English

Customer View Model

[ENG_CVM_34142_P.3d_stp.zip](#)

English

By downloading the CAD file I accept and agree to the [Terms and Conditions](#) of use.

Product Specifications

[Application Specification](#)

English

Product Environmental Compliance

[MD_34142_030520192358_dmtec](#)

English

[MD_34142_030520192358_dmtec](#)

English

Agency Approvals

[UL Report](#)

English

[UL Report](#)

English

[UL Report](#)

English