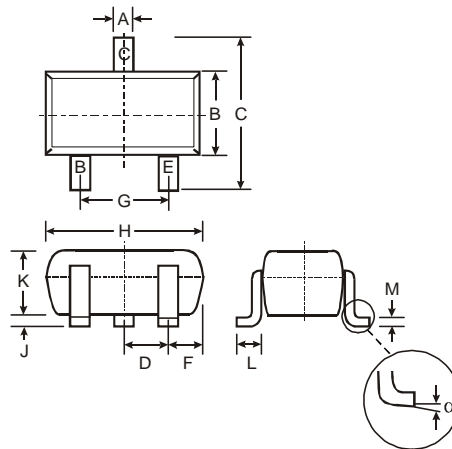


Features

- Ideally Suited for Automatic Insertion
- Complementary PNP Types Available (BC856W-BC858W)
- For Switching and AF Amplifier Applications
- **Lead Free/RoHS Compliant (Note 3)**
- "Green" Device (Note 4 and 5)

Mechanical Data

- Case: SOT-323
- Case Material: Molded Plastic, "Green" Molding Compound, Note 5. UL Flammability Classification Rating 94V-0
- Moisture Sensitivity: Level 1 per J-STD-020C
- Terminals: Solderable per MIL-STD-202, Method 208
- Lead Free Plating (Matte Tin Finish annealed over Alloy 42 leadframe).
- Pin Connections: See Diagram
- Marking Codes (See Table Below & Diagram on Page 3)
- Ordering & Date Code Information: See Page 3
- Weight: 0.006 grams (approximate)



| SOT-323 | | |
|-----------------------------|--------------|------|
| Dim | Min | Max |
| A | 0.25 | 0.40 |
| B | 1.15 | 1.35 |
| C | 2.00 | 2.20 |
| D | 0.65 Nominal | |
| F | 0.30 | 0.40 |
| G | 1.20 | 1.40 |
| H | 1.80 | 2.20 |
| J | 0.0 | 0.10 |
| K | 0.90 | 1.00 |
| L | 0.25 | 0.40 |
| M | 0.10 | 0.18 |
| α | 0° | 8° |
| All Dimensions in mm | | |

| Marking Code (Note 2) | | | |
|-----------------------|----------|---------|---------------|
| Type | Marking | Type | Marking |
| BC846AW | K1Q | BC847CW | K1M |
| BC846BW | K1R | BC848AW | K1J, K1E, K1Q |
| BC847AW | K1E, K1Q | BC848BW | K1K, K1F, K1R |
| BC847BW | K1F, K1R | BC848CW | K1L, K1M |

Maximum Ratings @T_A = 25°C unless otherwise specified

| Characteristic | Symbol | Value | Unit |
|--|-----------------------------------|-------------|------|
| Collector-Base Voltage | V _{CBO} | 80 | V |
| BC846 | | 50 | |
| BC847 | | 30 | |
| Collector-Emitter Voltage | V _{CEO} | 65 | V |
| BC846 | | 45 | |
| BC847 | | 30 | |
| Emitter-Base Voltage | V _{EBO} | 6.0 | V |
| BC846, BC847 | | 5.0 | |
| Collector Current | I _C | 100 | mA |
| Peak Collector Current | I _{CM} | 200 | mA |
| Peak Emitter Current | I _{EM} | 200 | mA |
| Power Dissipation (Note 1) | P _d | 200 | mW |
| Thermal Resistance, Junction to Ambient (Note 1) | R _{θJA} | 625 | °C/W |
| Operating and Storage Temperature Range | T _j , T _{STG} | -65 to +150 | °C |

- Notes:
1. Device mounted on FR-4 PCB, 1 inch x 0.85 inch x 0.062 inch; pad layout as shown on Diodes Inc. suggested pad layout document AP02001, which can be found on our website at <http://www.diodes.com/datasheets/ap02001.pdf>.
 2. Current gain subgroup "C" is not available for BC846W.
 3. No purposefully added lead.
 4. Diodes Inc.'s "Green" policy can be found on our website at http://www.diodes.com/products/lead_free/index.php.
 5. Product manufactured with Date Code 0627 (week 27, 2006) and newer are built with Green Molding Compound. Product manufactured prior to Date Code 0627 are built with Non-Green Molding Compound and may contain Halogens or Sb2O3 Fire Retardants.

Electrical Characteristics @ $T_A = 25^\circ\text{C}$ unless otherwise specified

| Characteristic | Symbol | Min | Typ | Max | Unit | Test Condition |
|---|--|------------------------|-------------------|-------------------|-------------------|---|
| Collector-Base Breakdown Voltage (Note 6) | BC846 BC847 BC848 | $V_{(BR)CBO}$ | 80 50 30 | — — — | — — — | V $I_C = 10\mu\text{A}, I_B = 0$ |
| Collector-Emitter Breakdown Voltage (Note 6) | BC846 BC847 BC848 | $V_{(BR)CEO}$ | 65 45 30 | — — — | — — — | V $I_C = 10\text{mA}, I_B = 0$ |
| Emitter-Base Breakdown Voltage (Note 6) | BC846, BC847 BC848 | $V_{(BR)EBO}$ | 6 5 | — — | — — | V $I_E = 1\mu\text{A}, I_C = 0$ |
| DC Current Gain | Current Gain Group A B C (Note 6) | h_{FE} | 110 200 420 | 180 290 520 | 220 450 800 | — $V_{CE} = 5.0\text{V}, I_C = 2.0\text{mA}$ |
| Collector-Emitter Saturation Voltage (Note 6) | | $V_{CE(SAT)}$ | — | 90 200 | 250 600 | mV $I_C = 10\text{mA}, I_B = 0.5\text{mA}$ $I_C = 100\text{mA}, I_B = 5.0\text{mA}$ |
| Base-Emitter Saturation Voltage (Note 6) | | $V_{BE(SAT)}$ | — | 700 900 | — | mV $I_C = 10\text{mA}, I_B = 0.5\text{mA}$ $I_C = 100\text{mA}, I_B = 5.0\text{mA}$ |
| Base-Emitter Voltage (Note 6) | | $V_{BE(ON)}$ | 580 — | 660 — | 700 770 | mV $V_{CE} = 5.0\text{V}, I_C = 2.0\text{mA}$ $V_{CE} = 5.0\text{V}, I_C = 10\text{mA}$ |
| Collector-Cutoff Current (Note 6) | | I_{CBO} I_{CBO} | — — | — — | 15 5.0 | nA μA $V_{CB} = 30\text{V}$ $V_{CB} = 30\text{V}, T_A = 150^\circ\text{C}$ |
| Gain Bandwidth Product | | f_T | 100 | 300 | — | MHz $V_{CE} = 5.0\text{V}, I_C = 10\text{mA},$ $f = 100\text{MHz}$ |
| Collector-Base Capacitance | | C_{CBO} | — | 3.0 | 4.5 | pF $V_{CB} = 10\text{V}, f = 1.0\text{MHz}$ |
| Noise Figure | | NF | — | — | 10 | dB $V_{CE} = 5\text{V}, I_C = 200\mu\text{A},$ $R_S = 2.0\text{k}\Omega,$ $f = 1.0\text{kHz}, \Delta f = 200\text{Hz}$ |

Notes: 6. Short duration pulse test used to minimize self-heating effect.

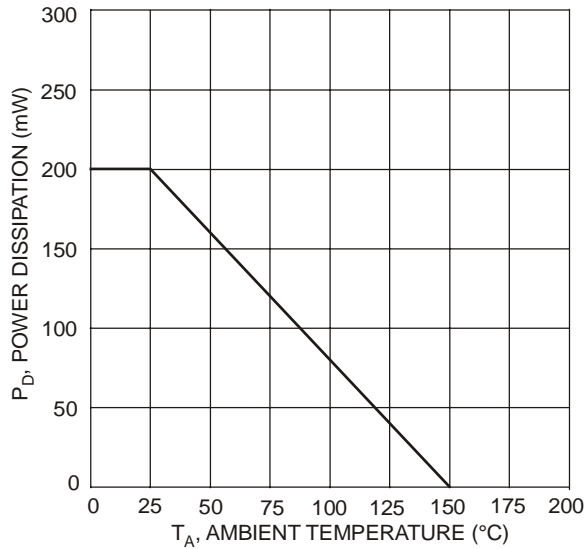


Fig. 1, Max Power Dissipation vs. Ambient Temperature

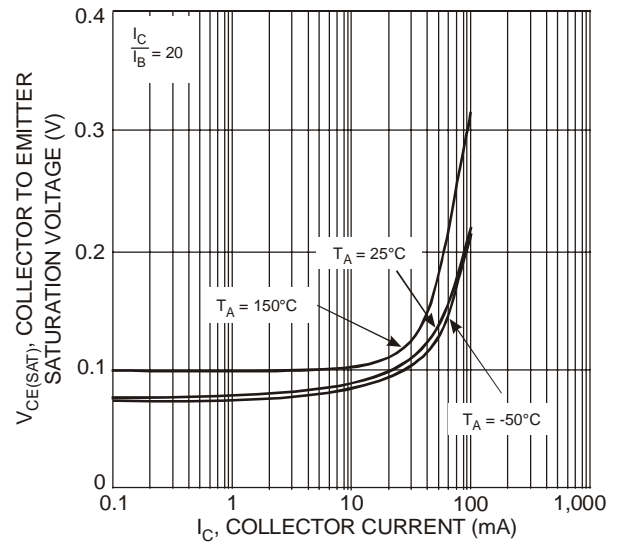


Fig. 2 Collector Emitter Saturation Voltage vs. Collector Current

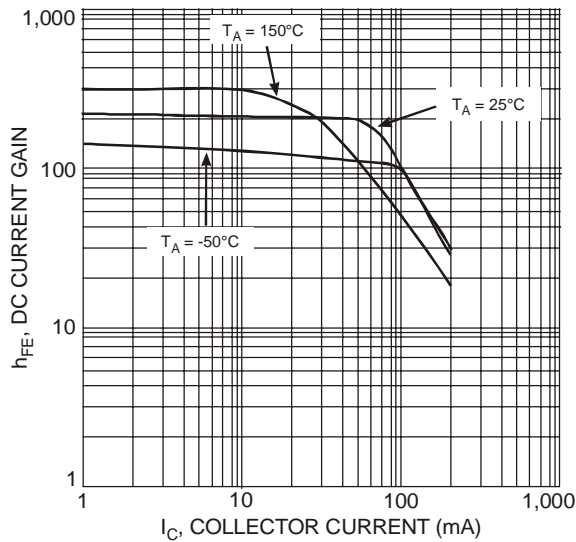


Fig. 3, DC Current Gain vs. Collector Current

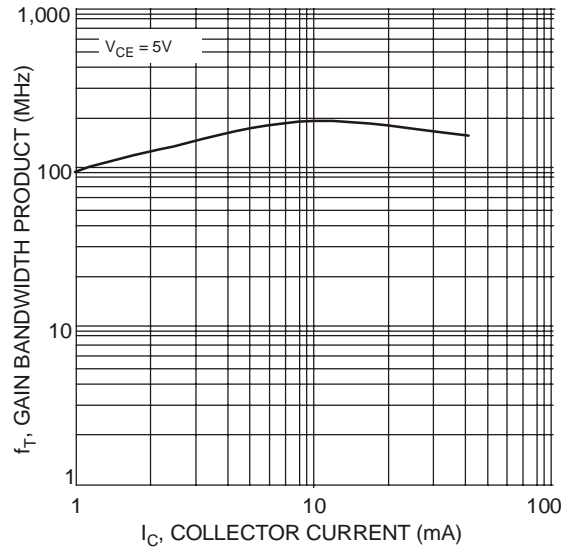


Fig. 4, Gain Bandwidth Product vs. Collector Current

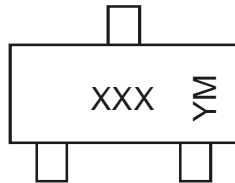
Ordering Information (Note 5 & 7)

| Device | Packaging | Shipping |
|--------------|-----------|------------------|
| BC84xxW-7-F* | SOT-323 | 3000/Tape & Reel |

*xx = device type, e.g. BC846AW-7.

Notes: 7. For packaging details, go to our website at <http://www.diodes.com/datasheets/ap02007.pdf>.

Marking Information



XXX = Product Type Marking Code (See Page 1), e.g. K1Q = BC846AW
 YM = Date Code Marking
 Y = Year ex: N = 2002
 M = Month ex: 9 = September

Date Code Key

| Year | 1998 | 1999 | 2000 | 2001 | 2002 | 2003 | 2004 | 2005 | 2006 | 2007 | 2008 | 2009 | 2010 | 2011 | 2012 |
|------|------|------|------|------|------|------|------|------|------|------|------|------|------|------|------|
| Code | J | K | L | M | N | P | R | S | T | U | V | W | X | Y | Z |

| Month | Jan | Feb | Mar | Apr | May | Jun | Jul | Aug | Sep | Oct | Nov | Dec |
|-------|-----|-----|-----|-----|-----|-----|-----|-----|-----|-----|-----|-----|
| Code | 1 | 2 | 3 | 4 | 5 | 6 | 7 | 8 | 9 | O | N | D |

IMPORTANT NOTICE

Diodes Incorporated and its subsidiaries reserve the right to make modifications, enhancements, improvements, corrections or other changes without further notice to any product herein. Diodes Incorporated does not assume any liability arising out of the application or use of any product described herein; neither does it convey any license under its patent rights, nor the rights of others. The user of products in such applications shall assume all risks of such use and will agree to hold Diodes Incorporated and all the companies whose products are represented on our website, harmless against all damages.

LIFE SUPPORT

Diodes Incorporated products are not authorized for use as critical components in life support devices or systems without the expressed written approval of the President of Diodes Incorporated.