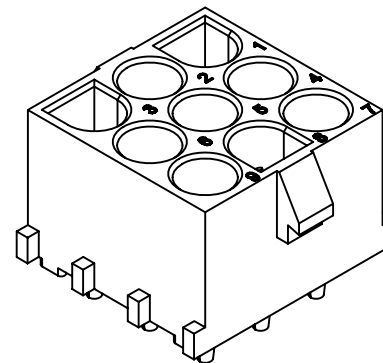


P.C.B LAYOUT



P/N LEGEND

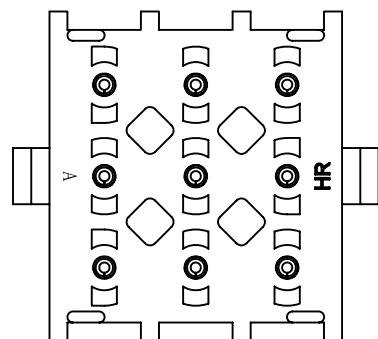
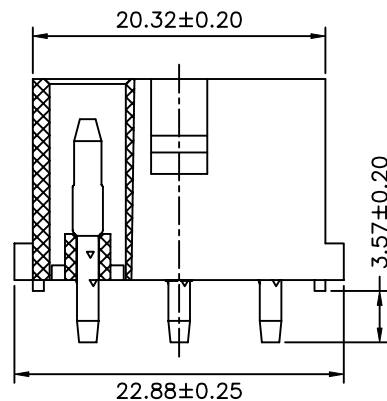
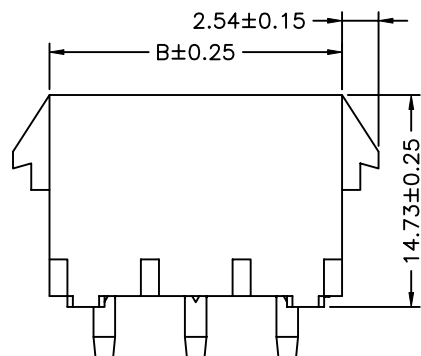
C6350		WV-3XNP	MV2
①	②	③	④
① Series No.			
② Connector type: WV=Vertical			
③ No. of circuits			
④ MV2=M type, Nylon 66,UL94V-2, Translucent			

SPECIFICATIONS

Current Rating: 15A AC,DC
 Voltage Rating: 600V AC,DC
 Temperature Range: -25°C ~ +85°C
 Contact Resistance: 3.5mΩ Max
 Insulation Resistance: 1000MΩ Min
 Withstanding Voltage: 2900V AC/minute
 Pin Material: Brass/Tin-plated
 Material: Nylon 66,UL94V-2
 Color: Translucent

Ordering Information & Dimensions

PART NO.	Dimensions	
	A	B
C6350WV-3X02PMV2	6.35	13.97
C6350WV-3X03PMV2	12.70	20.32
C6350WV-3X04PMV2	19.05	26.67
C6350WV-3X05PMV2	25.40	33.02



						燦達電子工業股份有限公司 JOINT TECH ELECTRONIC IND. CO., LTD.					
UNIT	SCALE	SHEET	TITLE:								
mm	1:1	1 of 1	6.35mm PITCH 180° TRIPLE ROW WAFER, MALE TYPE								
DRAWN BY		APPROVED BY						DRAW NO.:		REV.	
李勤		董正一						C6350WV-3XNPMV2		A2	
2006.02.25		2006.02.25									
GENERAL TOLERANCE											
A2	EN1703020002	2017.03.13	賴永強	X.X±0.25	ANGLE±						
A1	REVISE	2007.09.14	歐陽小強	X.XX±0.15							
A0	NEW RELEASE	2006.02.25	李勤	X.XXX±0.05							
REV.	DESCRIPTION	DATE	NAME								