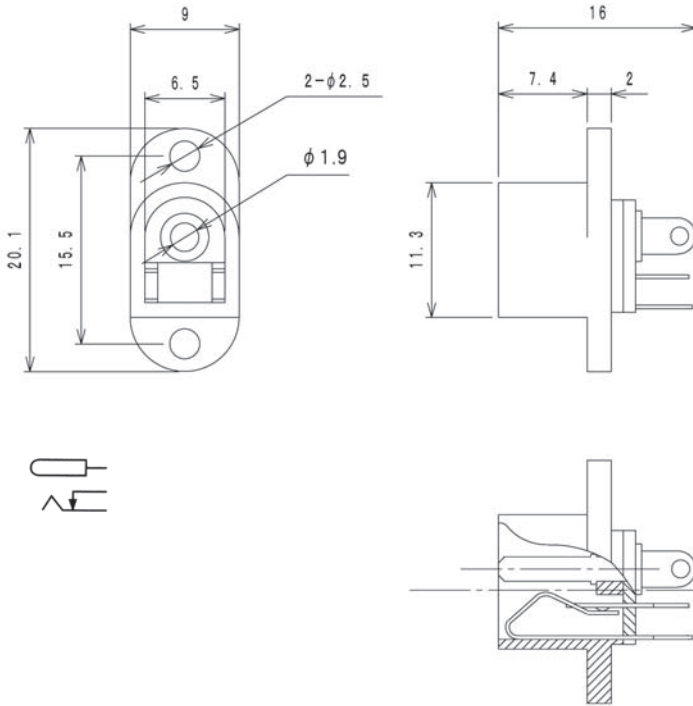


Power supply connectors



Power supply chassis socket, straight version, with fixing flange, break contact and solder eyes



#### Environmental conditions

Temperature range -20 °C/+70 °C

#### Materials

Insulating body POM, HB according to UL94  
 Contact Cu alloy, nickel-plated/silver-plated  
 Insulation PBT (may be PF in a transitional phase)

#### Mechanical data

Diameter opening 6,5 mm  
 Diameter center pin 1,9 mm  
 Mating cycles  $\geq 5000$   
 Insertion force 4–20 N  
 Withdrawal force 3–15 N

#### Electrical data (at $T_{amb}$ 20 °C)

Contact resistance  $\leq 30$  m $\Omega$   
 Rated current 0,5 A  
 Rated voltage 12 V DC  
 Rated impulse voltage 500 V/60 s  
 Insulation resistance  $\geq 100$  M $\Omega$

#### Associated products

Counterparts  
 ☞ 1633 02      ☞ 1633 03      ☞ NES/J 21  
 ☞ NES/J 21 W      ☞ NES/J 210      ☞ XNES/J 210

16

NEB/J 21

Designation	Pole Number	PU (Pieces)	MDQ (Pieces)
NEB/J 21	2	250	750

**Packaging:**

in bulk, in a cardboard box or a plastic bag