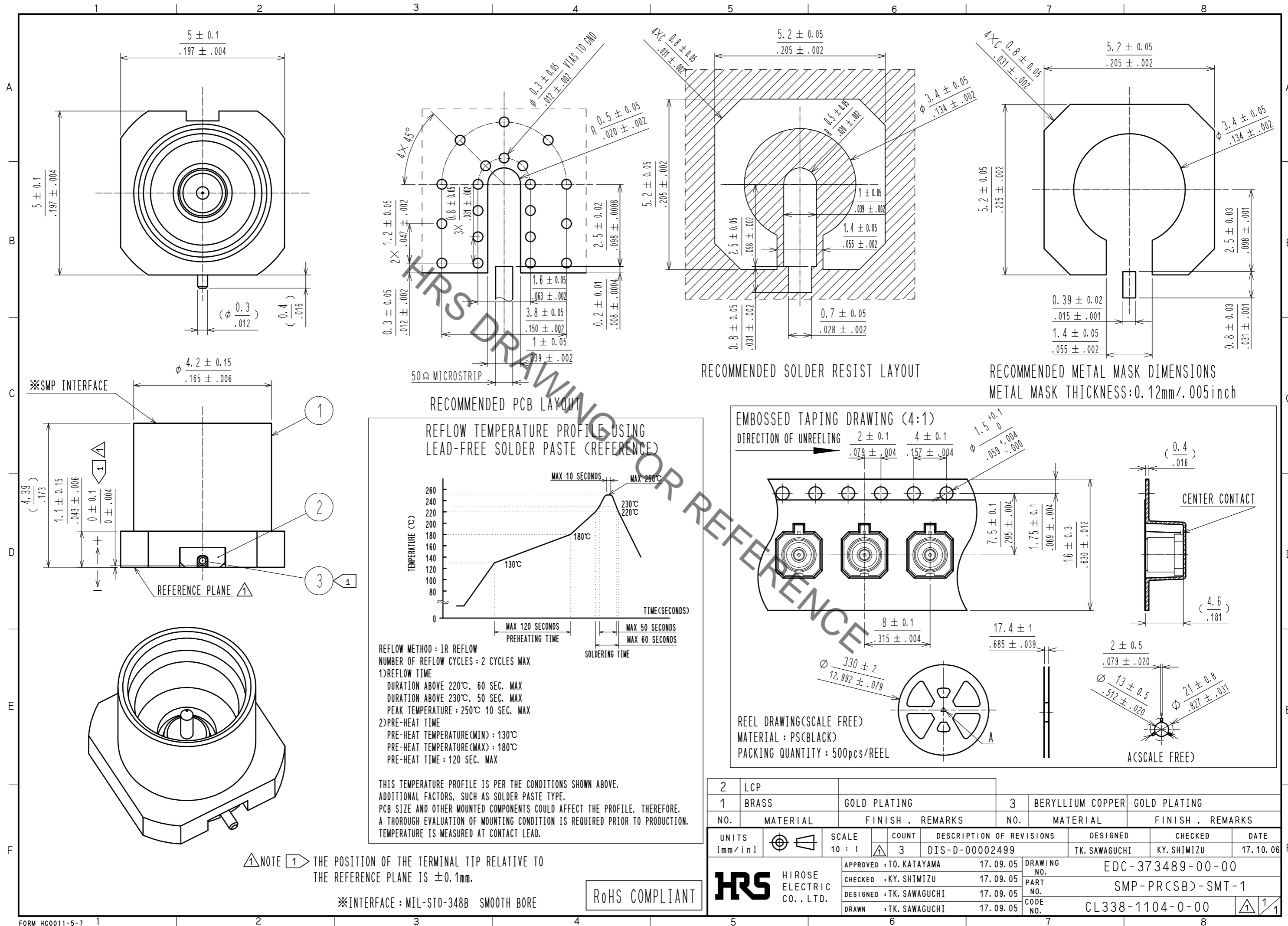


Jan.1.2022 Copyright 2022 HIROSE ELECTRIC CO., LTD. All Rights Reserved.
 In case of consideration for using Automotive equipment / device which demand high reliability, kindly contact our sales window correspondents.



2	LCP		3	BERYLLIUM COPPER	GOLD PLATING				
1	BRASS	GOLD PLATING							
NO.	MATERIAL	FINISH	REMARKS	NO.	MATERIAL	FINISH	REMARKS		
UNITS	[mm/in]	SCALE	10:1	COUNT	3	DESCRIPTION OF REVISIONS	DESIGNED	CHECKED	DATE
						DIS-D-00002499	TK. SAWAGUCHI	KY. SHIMIZU	17.10.06
APPROVED: TO. KATAYAMA		17.09.05		DRAWING NO.		EDC-373489-00-00			
CHECKED: KY. SHIMIZU		17.09.05		PART NO.		SMP-PR(SB)-SMT-1			
DESIGNED: TK. SAWAGUCHI		17.09.05		CODE NO.		CL338-1104-0-00			
DRAWN: TK. SAWAGUCHI		17.09.05							

Mouser Electronics

Authorized Distributor

Click to View Pricing, Inventory, Delivery & Lifecycle Information:

[Hirose Electric:](#)

[SMP-PR\(SB\)-SMT-1](#)