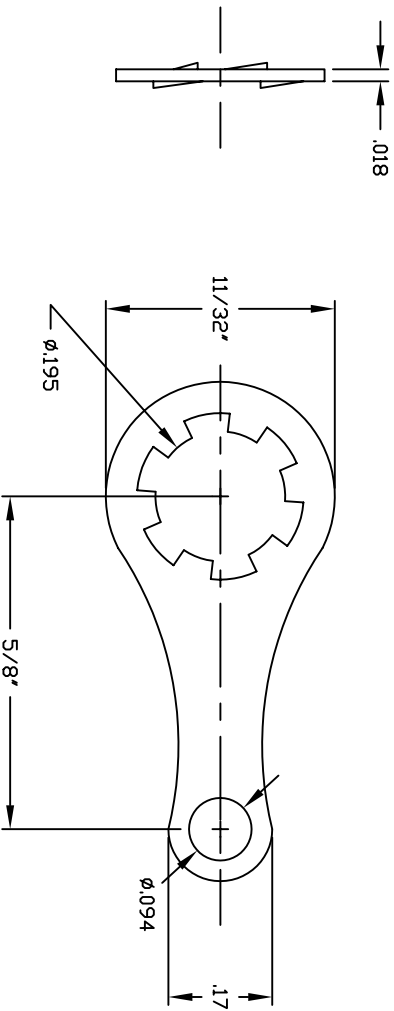


| REVISIONS | |
|-----------|----------------------|
| SYM | DESCRIPTION |
| | REVISED BY DATE APPR |



| | | | |
|---------------------------------------------------|--------|------------------------|----------------|
| MATERIAL BRASS 260 1/2 HARD | | FINISH ELECTRO TIN | |
| DIMENSIONAL TOLERANCES UNLESS OTHERWISE SPECIFIED | | TITLE | |
| .XX | .XXX | 1410-10 | |
| --- | --- | SOLDER LUG | |
| FRACTIONS | ANGLES | CUSTOMER SALES DRAWING | |
| --- | --- | DRAWN: T. LORD | DATE 3/17/11 |
| --- | --- | CHECKED: T. LORD | DATE 3/17/11 |
| HEAT TREAT | --- | APPROVED: T. LORD | DATE 3/17/11 |
| PLOT SCALE: 1=1 | 5X | SIZE | DRAWING NUMBER |
| | | B | SD: 1410-10 |
| | | | ISSUE |
| | | | --- |

ABBATRON
 Electronic Connectors and Hardware
 13680 S. MOSIERTOWN RD
 MEADVILLE, PA 16335