

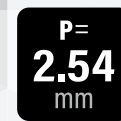
PCN Series

PCN10/PCN12/PCN13 Series

IEC603-2 / DIN41612 Standard Compliant Products



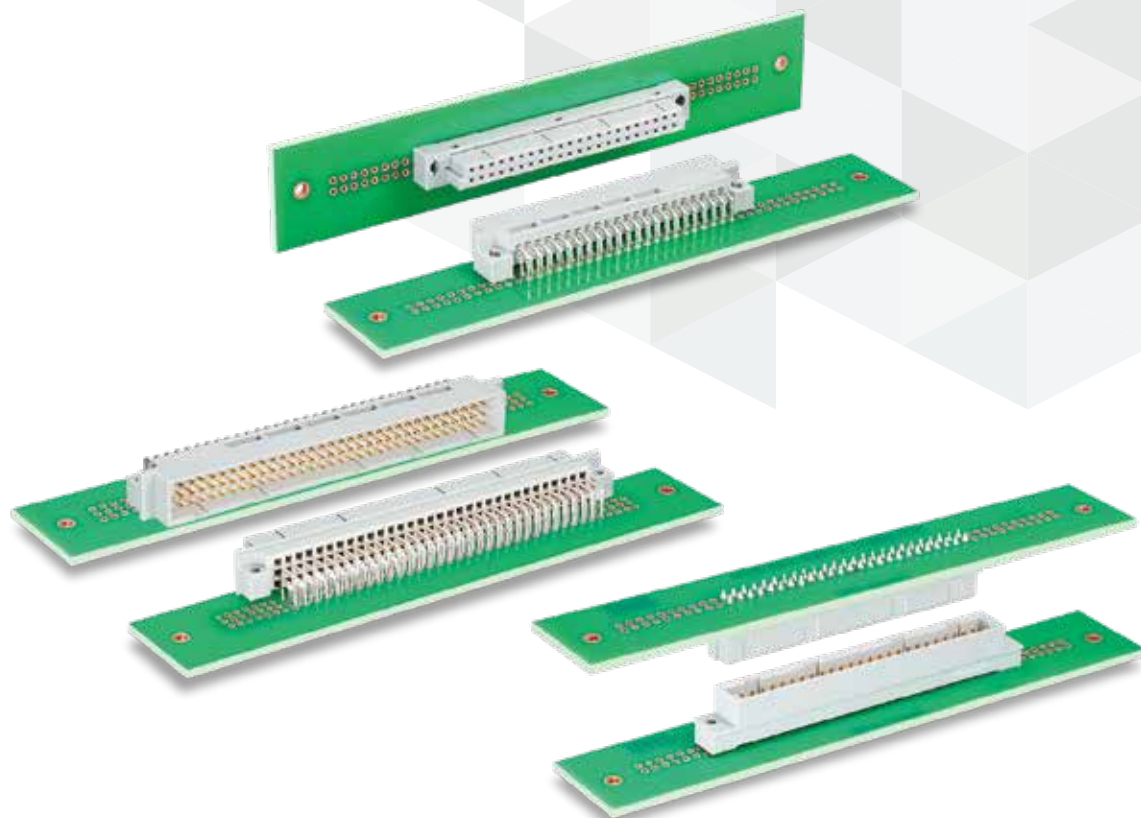
DIN Standard



P=2.54 mm



Wide Variation



Features

1. Complies with DIN Standard

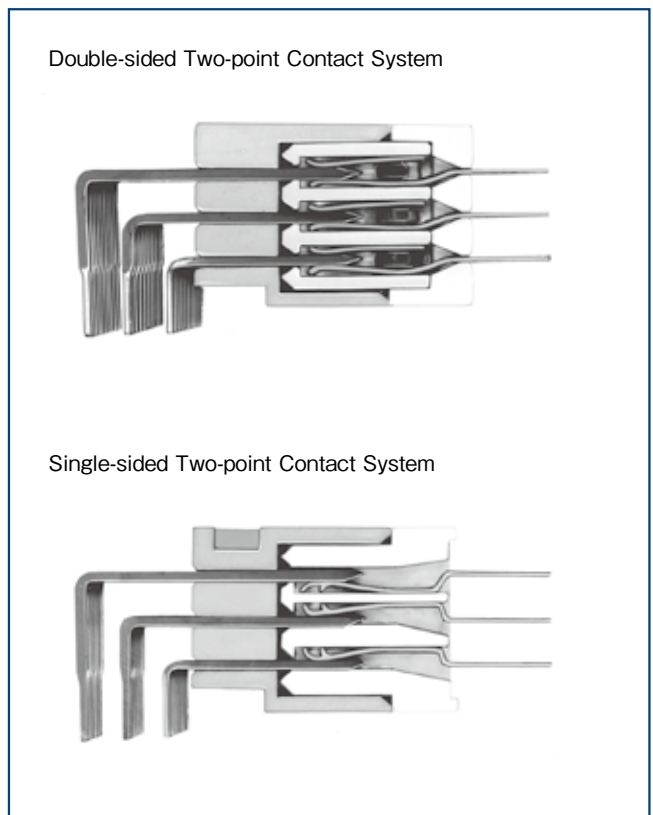
Complies with IEC603-2/DIN41612 standard.

2. Wide pin count variety

16 pin variations available : 10, 16, 20, 24, 28, 30, 32, 44, 48, 50, 64, 96, 100, 128, and 144

3. Two-point Contact Design

PCN10 and PCN12 Series are constructed with highly reliable double-sided two point contacts. The PCN13 Series provides high cost performance with the single-sided two point contact design.



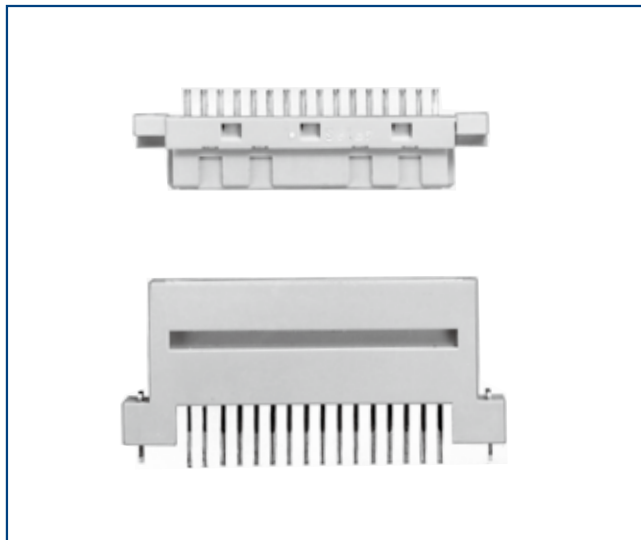
Two-point Contact Design

4. Wide applications

DIN standard types of B,C,R, and Q are available.
Flux penetration prevention type is also available.
The easy lock pin type for temporary board installation is available.

5. Stacking height variation

The PCN10H Series includes 5 stacking height variations : 25, 30, 35, 40 and 45mm.



Stacking Connector

6. Circuit protection

The PCN10MC Series has a sequence design for circuit protection.

7. Cable connector

IDC connectors for ribbon cable are available.
Crimp connectors compatible with 26-30 AWG are also available.

Applications

Computers, Control Equipment, Switches, Measuring Devices, etc.

Product Specifications

Rated Current	2A	Operating Temperature (Note 1)	-55 ~ +85°C
Rated Voltage	300V AC	Operating Humidity Range	85% Max.
		Storage Temperature Range (Note 2)	-10 ~ +60°C
		Storage Humidity Range (Note 2)	40 ~ 70%

Item	Specification	Condition
Insulation Resistance	10 ⁶ M Ω Min.	100V DC
Withstanding Voltage	No flashover or insulation breakdown.	1000V AC for 1 min. (IDC, Crimp Type : 650V AC)
Contact Resistance	20m Ω Max.	0.1A
Vibration	No electrical discontinuity of 10 μ s or more	Frequency : 10 to 55 Hz, single amplitude of 0.75 mm, 2 hours in each of the 3 directions.
Humidity(Steady State)	Insulation resistance : 10 ⁶ M Ω Min.	96 hours at temperature of 40 ± 2°C and humidity of 90% to 95%
Temperature Cycle	No damage, cracks, or parts looseness.	(-65°C : 30 minutes → 15 to 35°C : 5 minutes Max. → 125°C : 30 minutes → 15 to 35°C : 5 minutes Max.) 5 cycles
Mating Durability	Contact resistance : 20m Ω Max.	500 cycles
Soldering Heat Resistance	No deformation of components affecting performance.	Manual soldering : 350°C for 3 seconds

Note 1 : Includes temperature rise due to current flow.

Note 2 : The term "storage" refers to products stored for long period of time prior to mounting and use. The operating temperature and humidity range applies to the non-energized state after board mounting and temporary storage during transportation.

Material / Finish

Parts	Material	Finish	Remarks
Insulator	PBT	Gray	UL94V-0
Contact	Pin Header	Brass	Contact Area: Nickel Underplated+Gold Plated Remaining Areas: Nickel Underplated+Tin Plated
	Receptacle	Copper Alloy	

Product Number Structure

Refer to the chart below when determining the product specifications from the product number.
Please select from the product numbers listed in this catalog when placing orders.

■ PCN10 Series

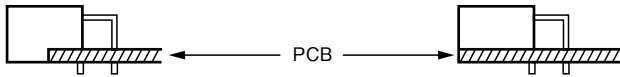
PCN10 A - # P - 2.54 DS

- ① ② ③ ④ ⑤ ⑥

① Series Name	PCN10	③ No. of Pos.	2 row : 16,20,24,32,44,50,64,90,100 3 row : 48,96,144 4 row : 128
② Configuration	Blank : Mold Type(as listed below) A : Mold Type(as listed below) B : Mold Type(as listed below) C : Flux Prevention Type(DSA only) D : Rack Installation Type EA : With Lock Pin for Temporary Board Installation H : 35mm Stacking Height HA : 30mm Stacking Height HB : 25mm Stacking Height HC : 45mm Stacking Height HD : 40mm Stacking Height MC With Circuit Protection	④ Connector Type	P : Pin Header S : Receptacle
		⑤ Contact Pitch	2.54mm
		⑥ Contact Type	DS : Right Angle Through Hole Type DSA : Straight Through Hole Type WA : Wrapping Type(0.5x0.7W) WB : Wrapping Type(0.5x0.5W) C : Crimp Type

PCN10 (Note)
PCN10B

PCN10A
PCN10EA



Note : However the right angle 2-row receptacle type is PCN10A.

■ PCN12 Series (Pin Header)

PCN12 A - # P - 2.54 DS

① ② ③ ④ ⑤ ⑥

① Series Name	PCN12	③ No. of Pos.	2 row : 10,16,20,24,28,32,44,50,64,90,100 3 row : 96
② Configuration	Blank : DIN Standard Type C(96 Contacts) A : Original Type E · EA : With Lock Pin for Temporary Board Installation	④ Connector Type	P : Pin Header
		⑤ Contact Pitch	2.54mm
		⑥ Contact Type	DS : Right Angle Through Hole Type

■ PCN12 Series (Receptacle)

PCN12 E - # S - 2.54 DSA

① ② ③ ④ ⑤ ⑥

① Series Name	PCN12	③ No. of Pos.	2 row : 10,16,20,24,28,32,44,50,64,90,100 3 row : 96
② Configuration	Blank : Standard Type E : With Lock Pin for Temporary Board Installation	④ Connector Type	S : Receptacle
		⑤ Contact Pitch	2.54mm
		⑥ Contact Type	DSA : Straight Through Hole Type

■ PCN13 Series (Receptacle)

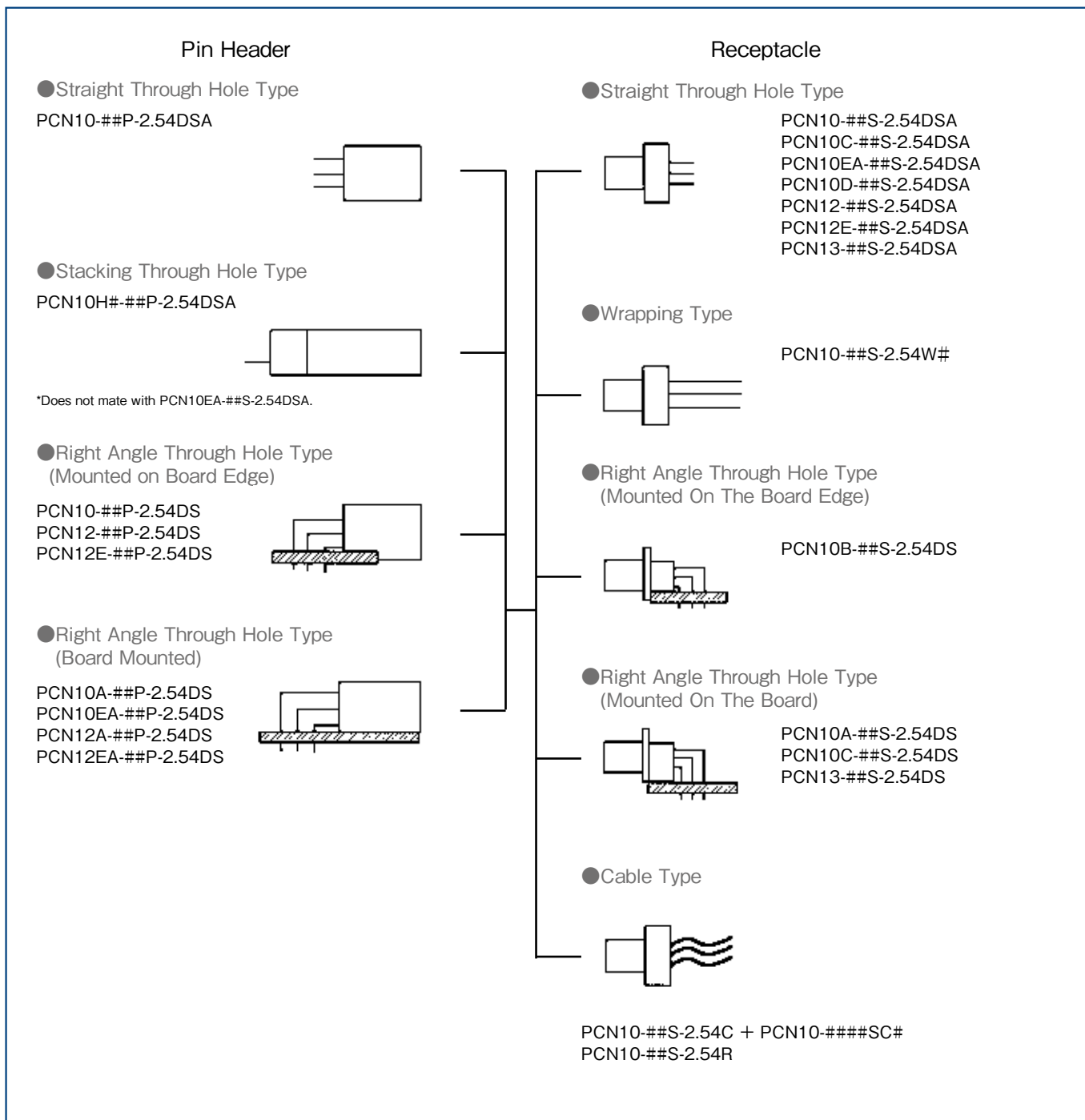
PCN13 E - # S - 2.54 DSA

① ② ③ ④ ⑤ ⑥

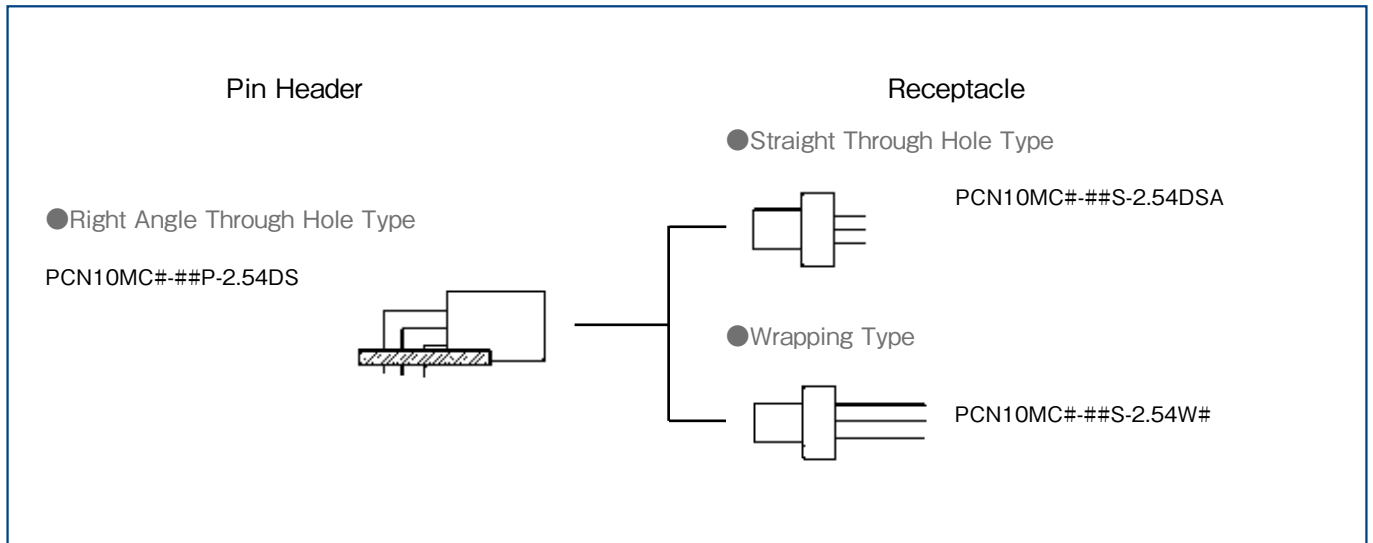
① Series Name	PCN13	④ Connector Type	S : Receptacle
② Configuration	Blank : Standard Type E : With Lock Pin for Temporary Board Installation	⑤ Contact Pitch	2.54mm
		③ No. of Pos.	2 row : 10,16,20,30,32,44,50,64,90,100 3 row : 48,96
		⑤ Contact Pitch	DS : Right Angle Through Hole Type DSA : Straight Through Hole Type

*PCN13 Series only includes socket connectors that mate with the PCN10 and PCN12 Series plugs.

Combination



■ Circuit Protection Type



Aug. 1.2021 Copyright 2021 HIROSE ELECTRIC CO., LTD. All Rights Reserved.

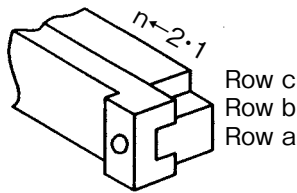
Contact Numbers

For the mating of DIN Standard type C (Type B) and Type R (Type Q), the contact numbers are No.1-32 and the rows are a, b, and c.

- DIN standard type C and type R represent the 3-row 96 contacts type, including 32 contacts in single-row.
- DIN standard type B and type Q represent the 2-row 64 contacts type, including 32 contacts in single-row.

1. Receptacle Straight Type

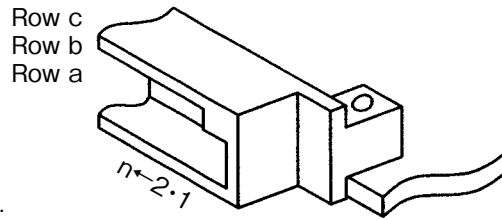
Type C (Type B)



Contact No. Matching

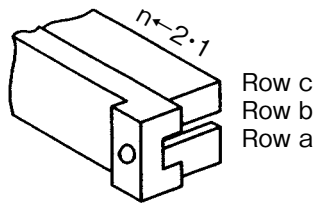
2. Pin Header Right Angle Type

Type C (Type B)

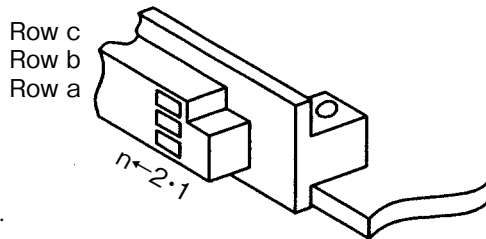


Contact No. Inverted

Contact No. Inverted



Contact No. Matching



3. Pin Header Straight Type

Type R (Type Q)

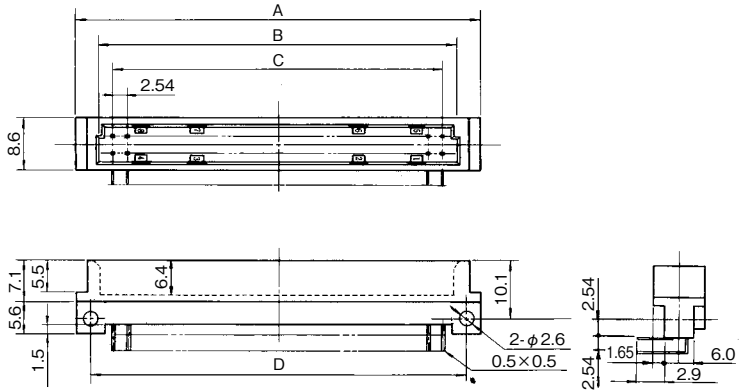
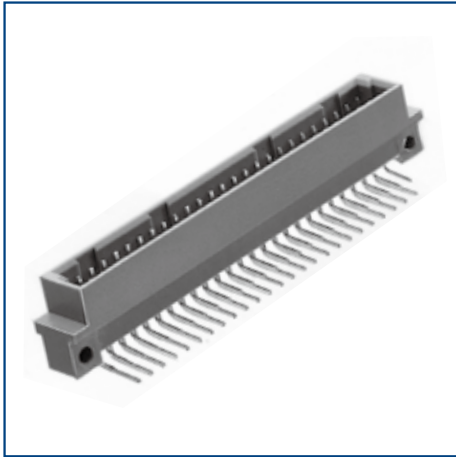
4. Receptacle Right Angle Type

Type R (Type Q)

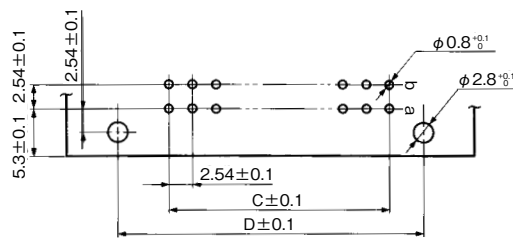
Note : DIN connectors are standardized based on a combination of straight and right angle types. In the above figure, the contact no. of combination ①-②,③-④ match, but the contact no. of combination ①-③, ②-④ are inverted.

[PCN10 Series]

Pin Header : 2-row Right Angle Type (DIN Standard Type B)



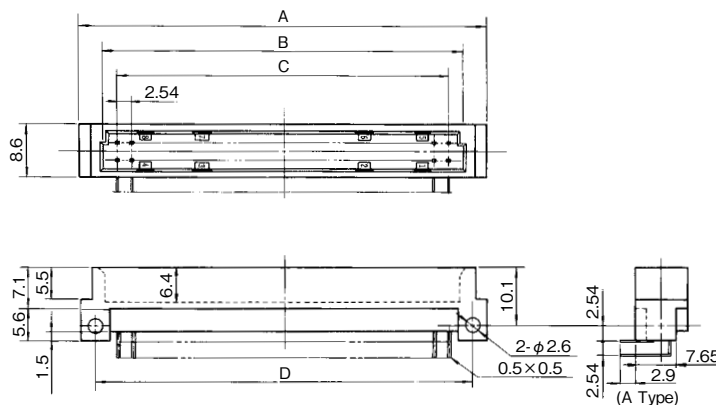
PCB Mounting Pattern



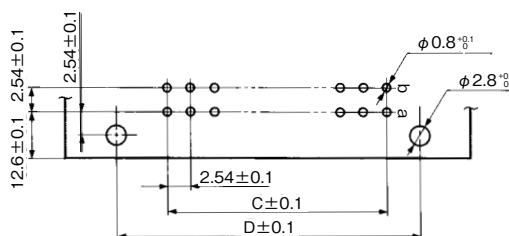
Unit : mm

Part No.	HRS No.	No. of Pos.	A	B	C	D	RoHS	Purchase Unit
PCN10-16P-2.54DS(72)	CL0583-0230-9-72	16	33.04	24.39	17.78	27.94	○	40pcs per tray
PCN10-20P-2.54DS(72)	CL0583-0077-3-72	20	38.12	29.47	22.86	33.02		
PCN10-32P-2.54DS(72)	CL0583-0015-6-72	32	53.36	44.71	38.10	48.26		
PCN10-44P-2.54DS(72)	CL0583-0038-1-72	44	68.60	59.95	53.34	63.50		
PCN10-50P-2.54DS(72)	CL0583-0016-9-72	50	76.22	67.57	60.96	71.12		
PCN10-64P-2.54DS(72)	CL0583-0017-1-72	64	94.00	85.35	78.74	88.90		
PCN10-90P-2.54DS(72)	CL0583-0018-4-72	90	127.02	118.37	111.76	121.92		
PCN10-100P-2.54DS(72)	CL0583-0113-5-72	100	139.72	131.07	124.46	134.62	10pcs per tray	

Pin Header : 2-row Right Angle Type



PCB Mounting Pattern

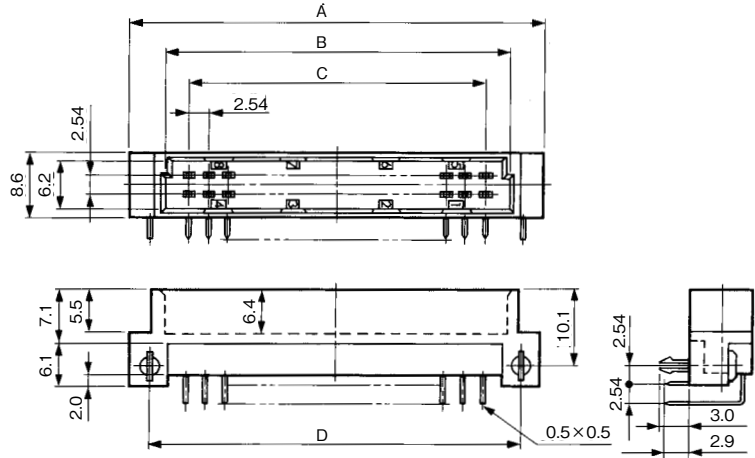


Unit : mm

Part No.	HRS No.	No. of Pos.	A	B	C	D	RoHS	Purchase Unit
PCN10A-16P-2.54DS(72)	CL0583-0231-1-72	16	33.04	24.39	17.78	27.94	○	40pcs per tray
PCN10A-20P-2.54DS(72)	CL0583-0078-6-72	20	38.12	29.47	22.86	33.02		20pcs per tray
PCN10A-32P-2.54DS(72)	CL0583-0011-5-72	32	53.36	44.71	38.10	48.26		10pcs per tray
PCN10A-44P-2.54DS(72)	CL0583-0039-4-72	44	68.60	59.95	53.34	63.50		
PCN10A-50P-2.54DS(72)	CL0583-0012-8-72	50	76.22	67.57	60.96	71.12		
PCN10A-64P-2.54DS(72)	CL0583-0013-0-72	64	94.00	85.35	78.74	88.90		
PCN10A-90P-2.54DS(72)	CL0583-0014-3-72	90	127.02	118.37	111.76	121.92		
PCN10A-100P-2.54DS(72)	CL0583-0114-8-72	100	139.72	131.07	124.46	134.62		

Pin Header : 2-row Right Angle Type

●With Lock Pin for Temporary Board Installation

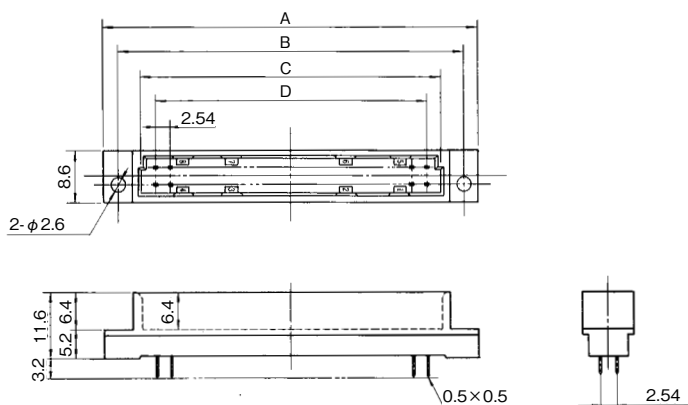


●The PCB mounting pattern is equivalent to PCN10A-#P-2.54DS(72).

Unit : mm

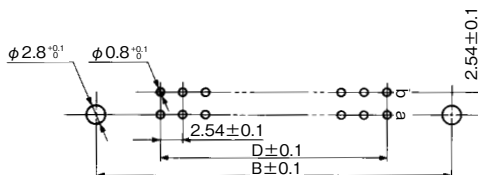
Part No.	HRS No.	No. of Pos.	A	B	C	D	RoHS	Purchase Unit
PCN10EA-16P-2.54DS(72)	CL0583-0256-2-72	16	33.04	24.39	17.78	27.94	○	40pcs per tray
PCN10EA-20P-2.54DS(72)	CL0583-0181-5-72	20	38.12	29.47	22.86	33.02		40pcs per tray
PCN10EA-32P-2.54DS(72)	CL0583-0182-8-72	32	53.36	44.71	38.10	48.26		20pcs per tray
PCN10EA-44P-2.54DS(72)	CL0583-0183-0-72	44	68.60	59.95	53.34	63.50		20pcs per tray
PCN10EA-50P-2.54DS(72)	CL0583-0184-3-72	50	76.22	67.57	60.96	71.12		10pcs per tray
PCN10EA-64P-2.54DS(72)	CL0583-0185-6-72	64	94.00	85.35	78.74	88.90		10pcs per tray
PCN10EA-90P-2.54DS(72)	CL0583-0186-9-72	90	127.02	118.37	111.76	121.92		10pcs per tray
PCN10EA-100P-2.54DS(72)	CL0583-0187-1-72	100	139.72	131.07	124.46	134.62		10pcs per tray

Pin Header : 2-row Straight Type



*Type Q differs in the outer dimensions and PCB mounting pattern.

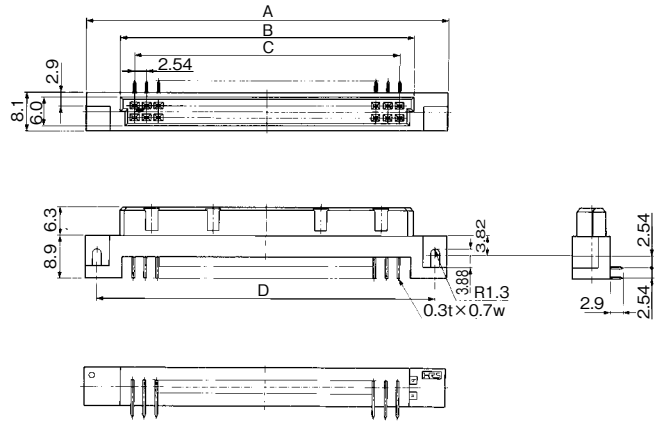
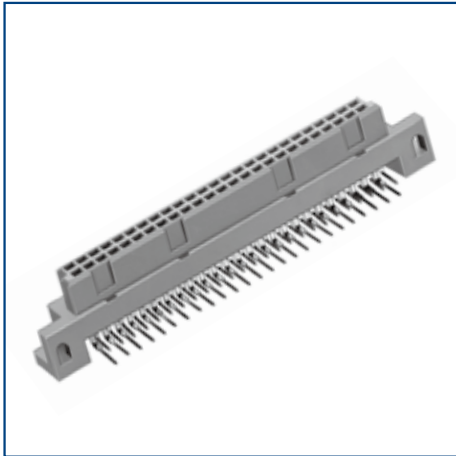
PCB Mounting Pattern



Unit : mm

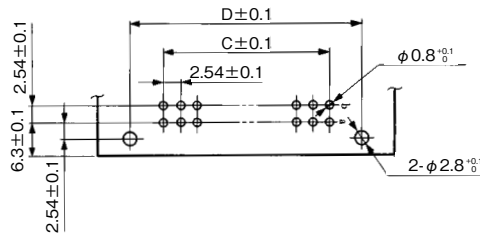
Part No.	HRS No.	No. of Pos.	A	B	C	D	RoHS	Purchase Unit
PCN10-20P-2.54DSA(72)	CL0583-0139-9-72	20	43.30	38.10	29.47	22.86	○	45pcs per tray
PCN10-32P-2.54DSA(72)	CL0583-0007-8-72	32	58.54	53.34	44.71	38.10		30pcs per tray
PCN10-44P-2.54DSA(72)	CL0583-0488-8-72	44	73.78	68.58	59.95	53.54		15pcs per tray
PCN10-50P-2.54DSA(72)	CL0583-0008-0-72	50	81.40	76.20	67.57	60.96		
PCN10-64P-2.54DSA(72)	CL0583-0009-3-72	64	99.18	93.98	85.35	78.74		
PCN10-90P-2.54DSA(72)	CL0583-0010-2-72	90	132.20	127.00	118.37	111.76		
PCN10-100P-2.54DSA(72)	CL0583-0251-9-72	100	144.90	139.70	131.07	124.46		

Receptacle : 2-row Right Angle Type



*Type Q differs in the external size and PCB mounting pattern.

PCB Mounting Pattern

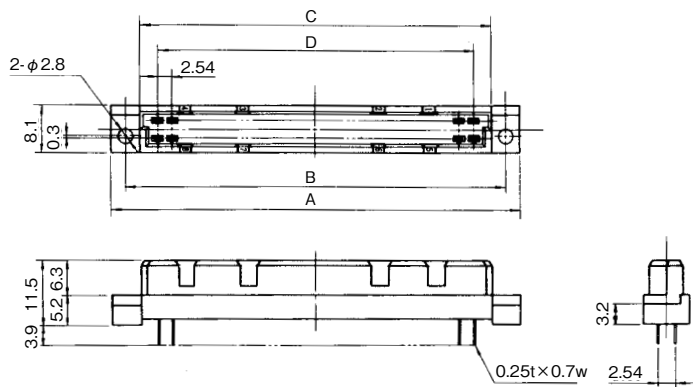
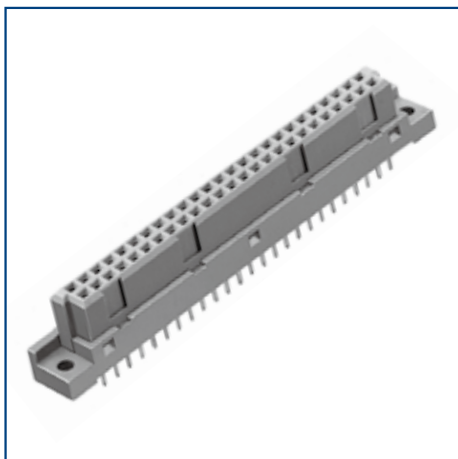


Unit : mm

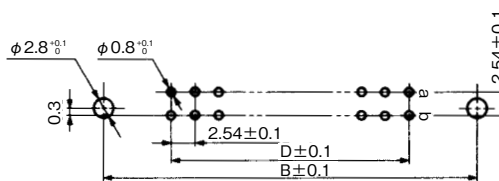
Part No.	HRS No.	No. of Pos.	A	B	C	D	RoHS	Purchase Unit
PCN10C-20S-2.54DS(72)	CL0583-0201-0-72	20	43.10	29.12	22.86	38.10	○	33pcs per tray
PCN10C-32S-2.54DS(72)	CL0583-0202-3-72	32	58.34	44.36	38.10	53.34		22pcs per tray
PCN10C-44S-2.54DS(72)	CL0583-0052-2-72	44	73.58	59.60	53.34	68.58		11pcs per tray
PCN10C-50S-2.54DS(72)	CL0583-0168-7-72	50	81.20	67.22	60.96	76.20		
PCN10C-64S-2.54DS(72)	CL0583-0203-6-72	64	98.98	85.00	78.74	93.98		
PCN10C-90S-2.54DS(72)	CL0583-0204-9-72	90	132.00	118.02	111.76	127.00		
PCN10C-100S-2.54DS(72)	CL0583-0178-0-72	100	144.70	130.72	124.46	139.70		

Note : DIN standard type Q (Reverse type of type B) is PCN10B-64S-2.54DS(72).

Receptacle : 2-row Straight Type (DIN Standard Type B)



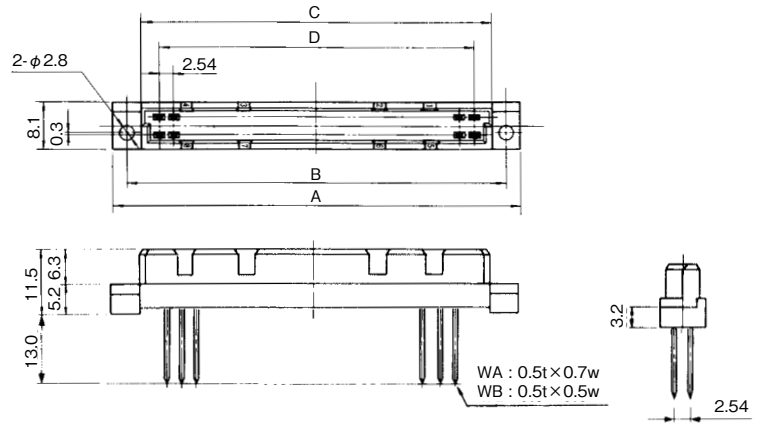
PCB Mounting Pattern



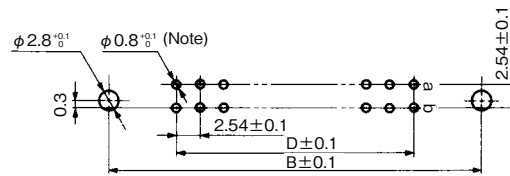
Unit : mm

Part No.	HRS No.	No. of Pos.	A	B	C	D	RoHS	Purchase Unit
PCN10-32S-2.54DSA(72)	CL0583-0019-7-72	32	54.36	49.36	44.36	38.10	○	50pcs per tray
PCN10-50S-2.54DSA(72)	CL0583-0020-6-72	50	77.22	72.22	67.22	60.96		30pcs per tray
PCN10-64S-2.54DSA(72)	CL0583-0021-9-72	64	95.00	90.00	85.00	78.74		

Receptacle : 2-row Wrapping Type (DIN Standard Type B)



PCB Mounting Pattern

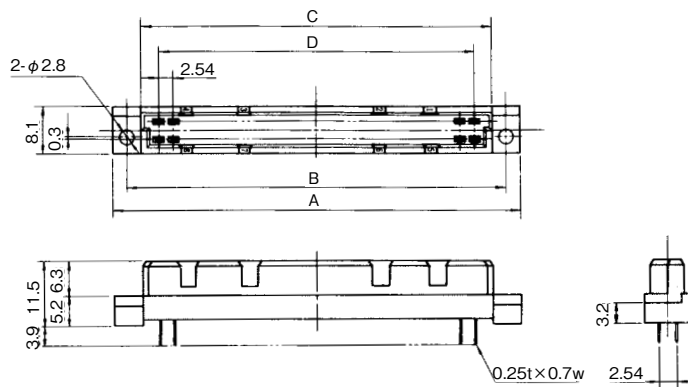
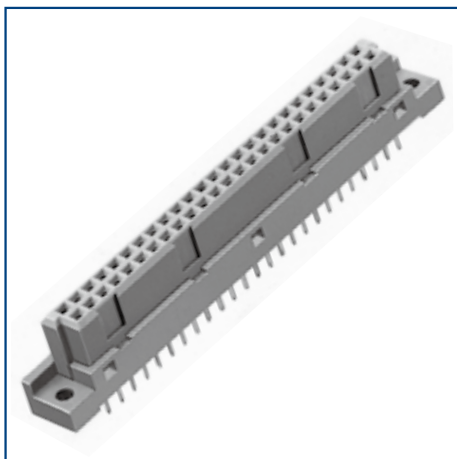


Note : WA type is $\phi 1.0^{+0.1}$

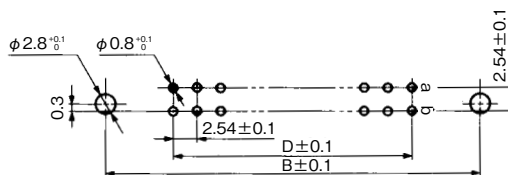
Unit : mm

Part No.	HRS No.	No. of Pos.	A	B	C	D	RoHS	Purchase Unit
PCN10-32S-2.54WA(72)	CL0583-0107-2-72	32	54.36	49.36	44.36	38.10	○	26pcs per tray
PCN10-50S-2.54WB(72)	CL0583-0068-2-72	50	77.22	72.22	67.22	60.96		
PCN10-64S-2.54WA(72)	CL0583-0109-8-72	64	95.00	90.00	85.00	78.74		

Flux Prevention Type (DIN Standard Type B)



PCB Mounting Pattern

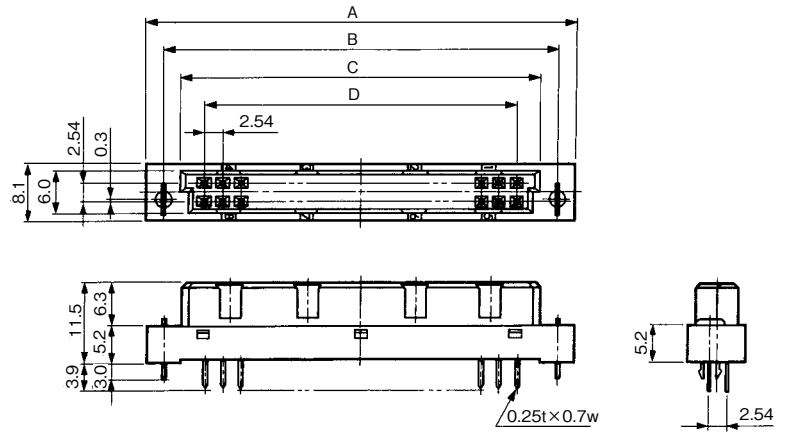
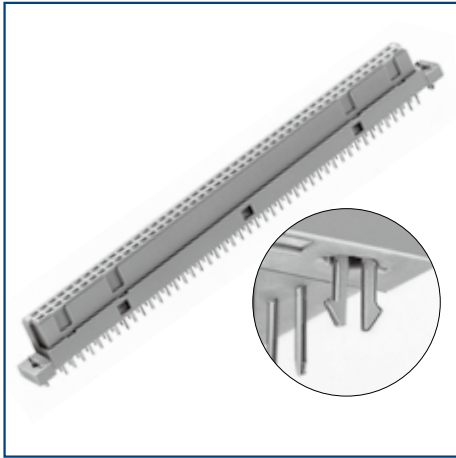


Unit : mm

Part No.	HRS No.	No. of Pos.	A	B	C	D	RoHS	Purchase Unit
PCN10C-16S-2.54DSA(72)	CL0583-0226-1-72	16	34.04	29.04	24.04	17.78	○	80pcs per tray
PCN10C-20S-2.54DSA(72)	CL0583-0079-9-72	20	39.12	34.12	29.12	22.86		70pcs per tray
PCN10C-32S-2.54DSA(72)	CL0583-0033-8-72	32	54.36	49.36	44.36	38.10		50pcs per tray
PCN10C-44S-2.54DSA(72)	CL0583-0034-0-72	44	69.60	64.60	59.60	53.34		40pcs per tray
PCN10C-50S-2.54DSA(72)	CL0583-0035-3-72	50	77.22	72.22	67.22	60.96		30pcs per tray
PCN10C-64S-2.54DSA(72)	CL0583-0036-6-72	64	95.00	90.00	85.00	78.74		20pcs per tray
PCN10C-90S-2.54DSA(72)	CL0583-0037-9-72	90	128.02	123.02	118.02	111.76		
PCN10C-100S-2.54DSA(72)	CL0583-0112-2-72	100	140.72	135.72	130.72	124.46		

Type With Lock Pin for Temporary Board Installation (DIN Standard Type B)

● Flux Prevention Type

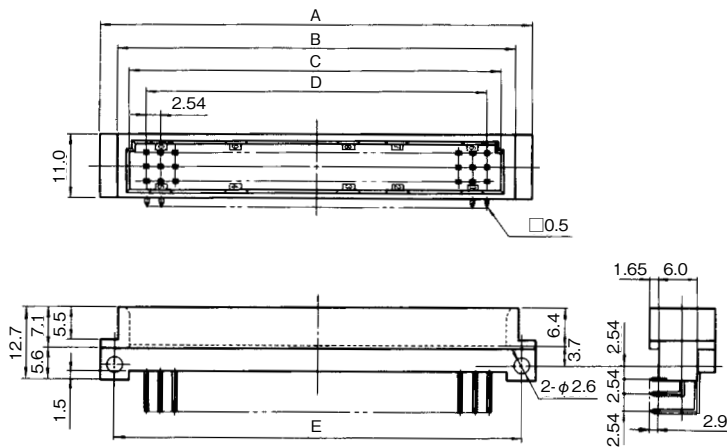


● The PCB mounting pattern is equivalent to PCN10-#S-2.54DSA(72) and PCN10C-#S-2.54DSA(72).

Unit : mm

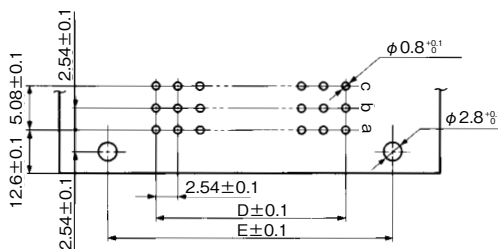
Part No.	HRS No.	No. of Pos.	A	B	C	D	RoHS	Purchase Unit
PCN10EA-20S-2.54DSA(72)	CL0583-0188-4-72	20	39.12	34.12	29.12	22.86	○	70pcs per tray
PCN10EA-32S-2.54DSA(72)	CL0583-0189-7-72	32	54.36	49.36	44.36	38.10		50pcs per tray
PCN10EA-44S-2.54DSA(72)	CL0583-0190-6-72	44	69.60	64.60	59.60	53.34		40pcs per tray
PCN10EA-50S-2.54DSA(72)	CL0583-0191-9-72	50	77.22	72.22	67.22	60.96		30pcs per tray
PCN10EA-64S-2.54DSA(72)	CL0583-0192-1-72	64	95.00	90.00	85.00	78.74		20pcs per tray
PCN10EA-90S-2.54DSA(72)	CL0583-0193-4-72	90	128.02	123.02	118.02	111.76		
PCN10EA-100S-2.54DSA(72)	CL0583-0194-7-72	100	140.72	135.72	130.72	124.46		

Pin Header : 3-row Right Angle Type (DIN Standard Type C)



The 48pos. variation has guide key grooves in 8 locations.

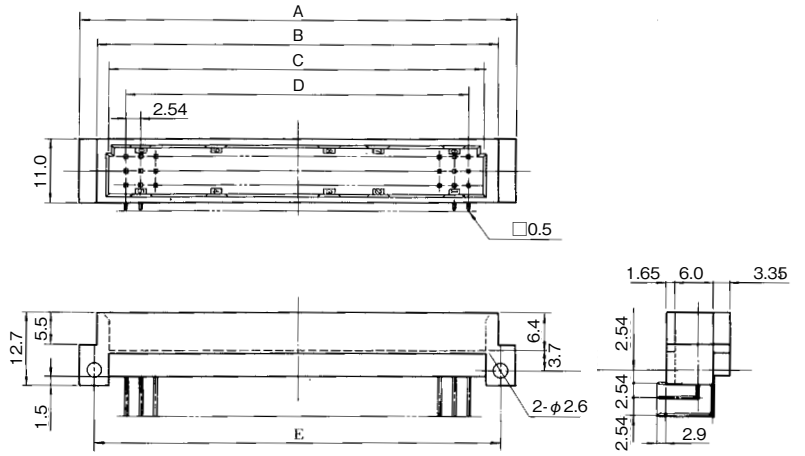
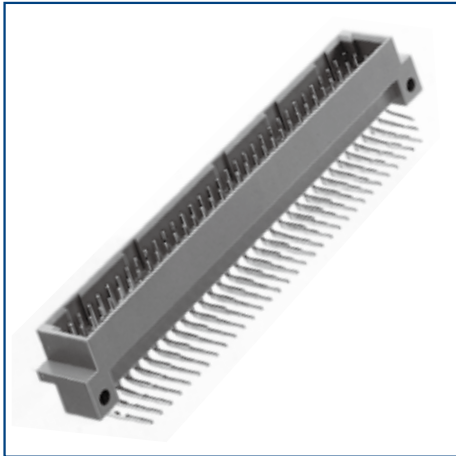
PCB Mounting Pattern



Unit : mm

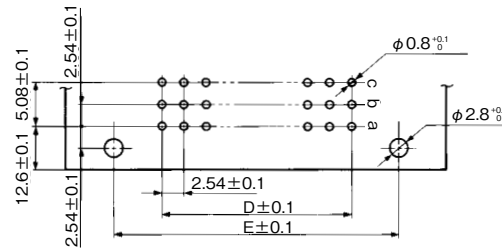
Part No.	HRS No.	No. of Pos.	A	B	C	D	E	RoHS	Purchase Unit
PCN10-48P-2.54DS (72)	CL0583-0063-9-72	48	53.36	47.36	44.61	38.10	48.26	○	48pcs per tray
PCN10-96P-2.54DS (72)	CL0583-0001-1-72	96	94.00	88.00	85.25	78.74	88.90		24pcs per tray

Pin Header : 3-row Right Angle Type



The 48pos. variation has guide key grooves in 8 locations.

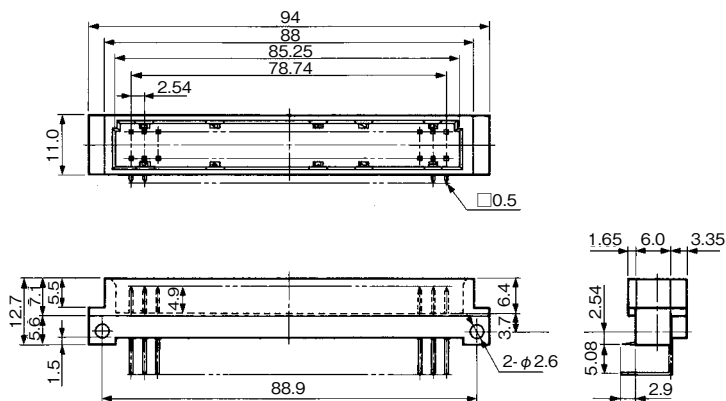
PCB Mounting Pattern



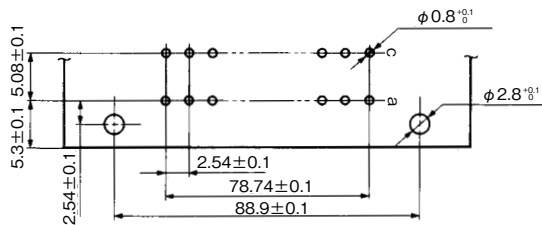
Unit : mm

Part No.	HRS No.	No. of Pos.	A	B	C	D	E	RoHS	Purchase Unit
PCN10A-48P-2.54DS(72)	CL0583-0064-1-72	48	53.36	47.36	44.61	38.10	48.26	○	48pcs per tray
PCN10A-96P-2.54DS(72)	CL0583-0006-5-72	96	94.00	88.00	85.25	78.74	88.90		24pcs per tray

Pin Header : Right Angle Type



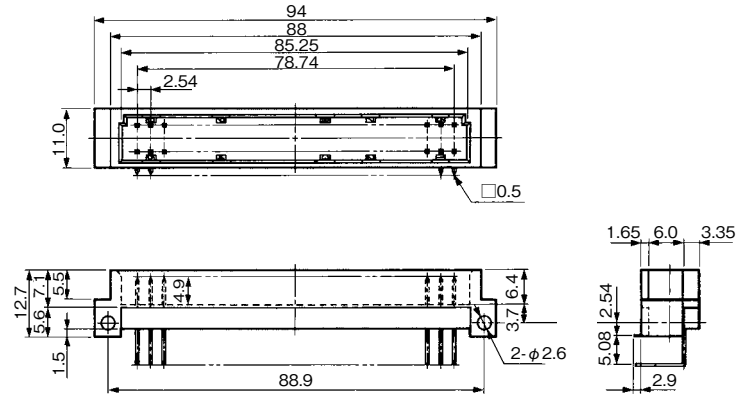
PCB Mounting Pattern



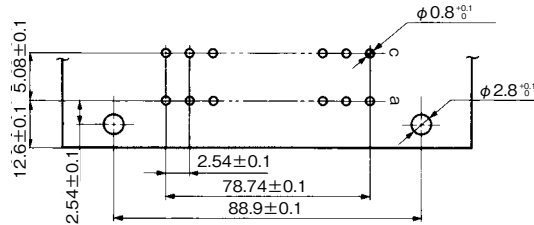
Unit : mm

Part No.	HRS No.	No. of Pos.	RoHS	Purchase Unit
PCN10-64ACP-2.54DS(72)	CL0583-0046-0-72	64	○	24pcs per tray

Pin Header : Right Angle Type



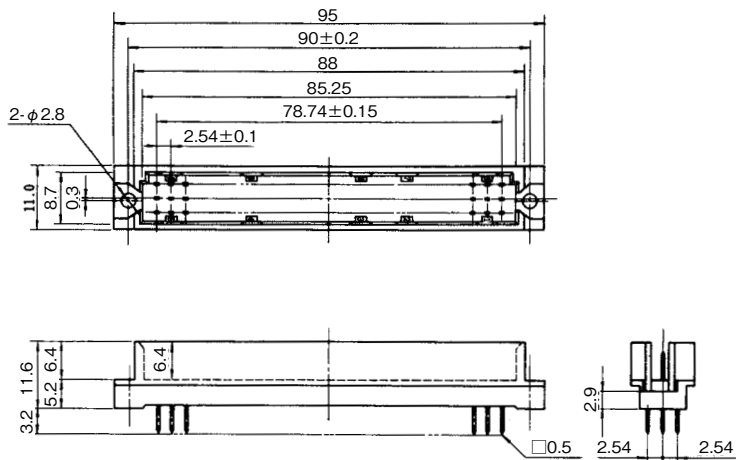
PCB Mounting Pattern



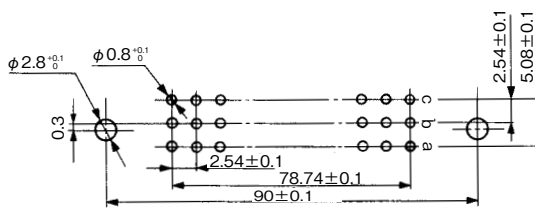
Unit : mm

Part No.	HRS No.	No. of Pos.	RoHS	Purchase Unit
PCN10A-64ACP-2.54DS(72)	CL0583-0032-5-72	64	○	24pcs per tray

Pin Header : 3-row Straight Type (DIN Standard Type R)



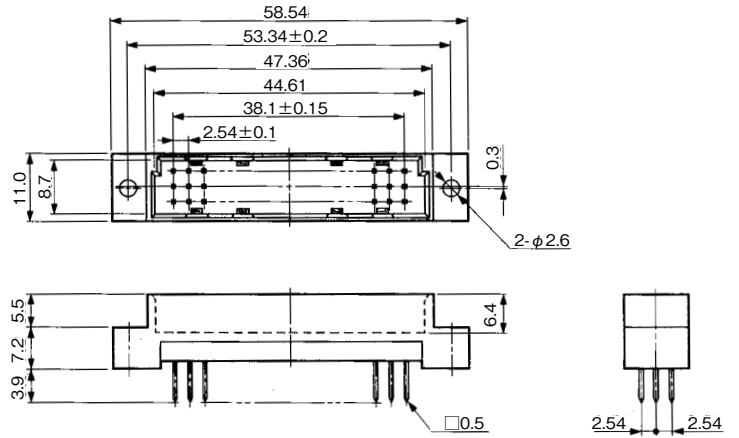
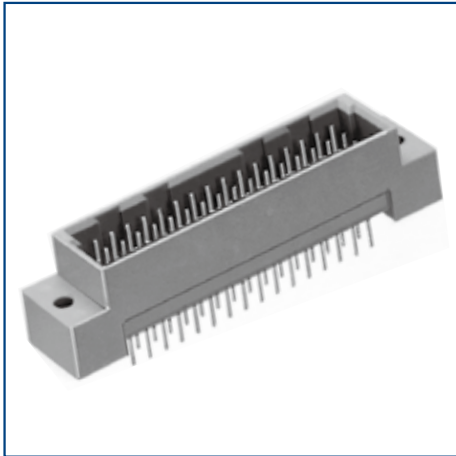
PCB Mounting Pattern



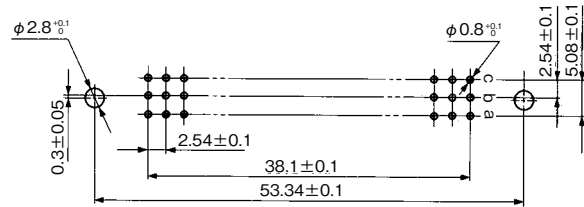
Unit : mm

Part No.	HRS No.	No. of Pos.	RoHS	Purchase Unit
PCN10-96P-2.54DSA(72)	CL0583-0002-4-72	96	○	24pcs per tray

Pin Header : 3-row Straight Type



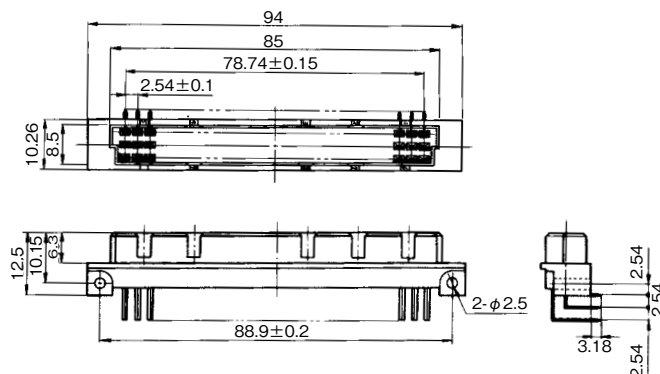
PCB Mounting Pattern



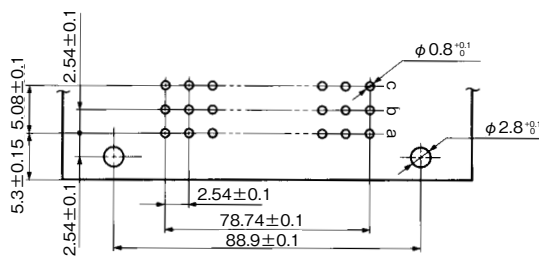
Unit : mm

Part No.	HRS No.	No. of Pos.	RoHS	Purchase Unit
PCN10-48P-2.54DSA(72)	CL0583-0104-4-72	48	○	40pcs per tray

Receptacle : 3-row Right Angle Type



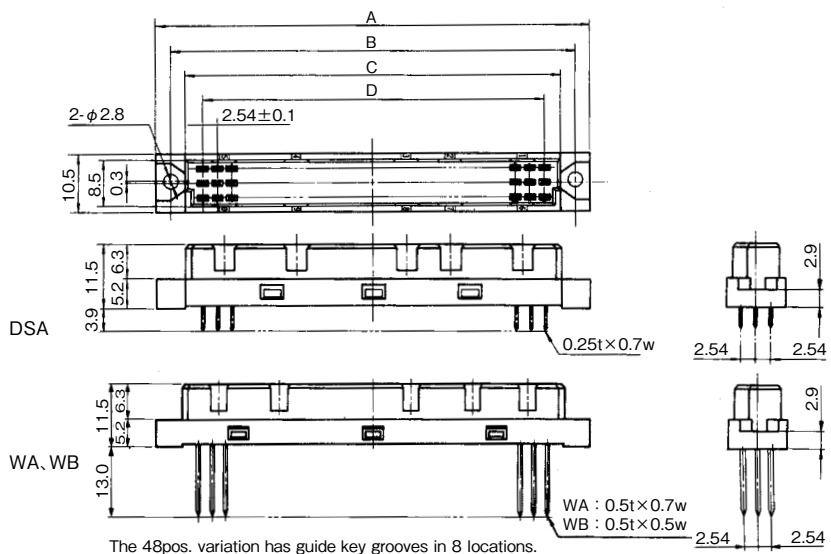
PCB Mounting Pattern



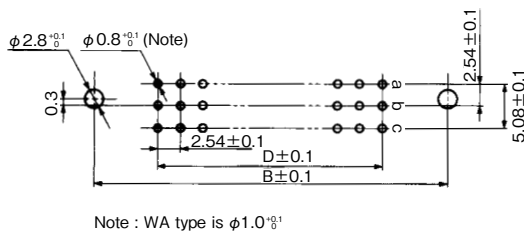
Unit : mm

Part No.	HRS No.	No. of Pos.	RoHS	Purchase Unit
PCN10A-96S-2.54DS(72)	CL0583-0027-5-72	96	○	24pcs per tray

Receptacle : 3-row Straight Type (DIN Standard Type C)



PCB Mounting Pattern

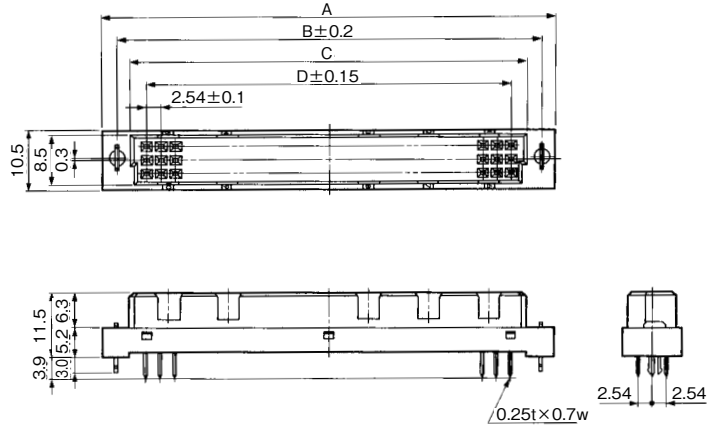
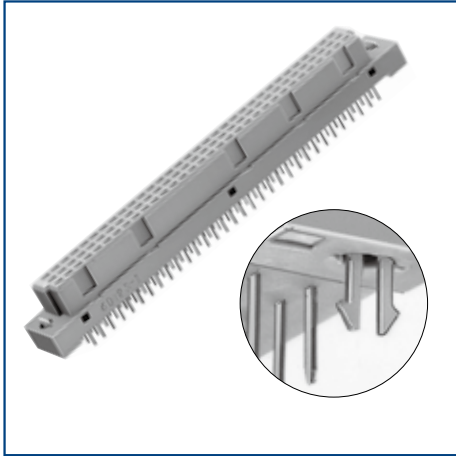


Unit : mm

Part No.	HRS No.	No. of Pos.	A	B	C	D	RoHS	Purchase Unit
PCN10-48S-2.54DSA(72)	CL0583-0065-4-72	48	54.36	50.00	44.36	38.10	○	20pcs per tray
PCN10-96S-2.54DSA(72)	CL0583-0003-7-72	96	95.00	90.00	85.00	78.74		15pcs per tray
PCN10-96S-2.54WA(72)	CL0583-0085-1-72	96	95.00	90.00	85.00	78.74		
PCN10-96S-2.54WB(72)	CL0583-0071-7-72	96	95.00	90.00	85.00	78.74		

Receptacle : 3-row Straight Type (DIN Standard Type C)

●With Lock Pin for Temporary Board Installation



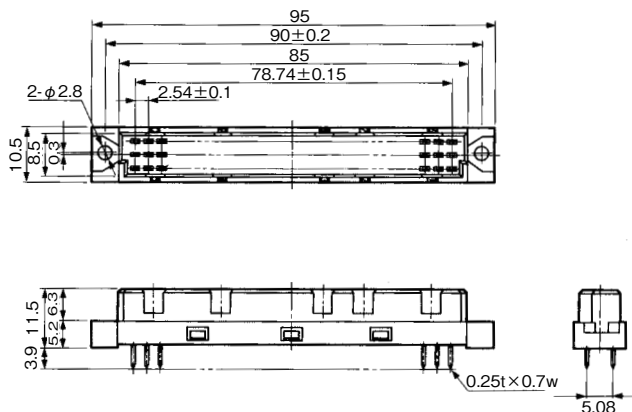
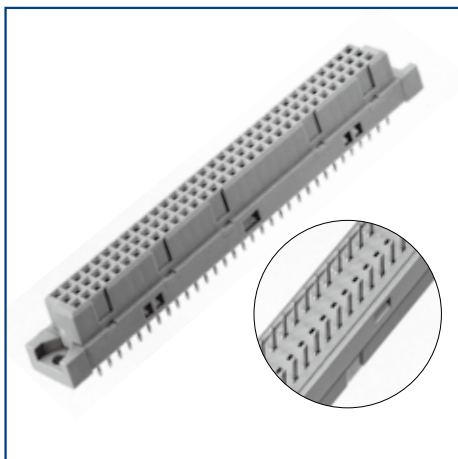
●The PCB mounting pattern is equivalent to PCN10-#S-2.54DSA(72).

Unit : mm

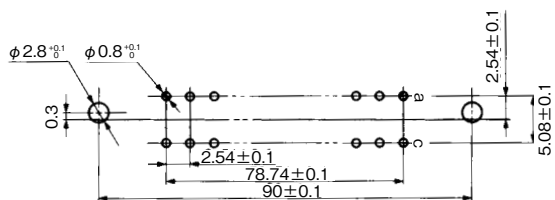
Part No.	HRS No.	No. of Pos.	A	B	C	D	RoHS	Purchase Unit
PCN10EA-48S-2.54DSA(72)	CL0583-0195-0-72	48	54.36	50.00	44.36	38.10	○	30pcs per tray
PCN10EA-96S-2.54DSA(72)	CL0583-0180-2-72	96	95.00	90.00	85.00	78.74		15pcs per tray

Note : Flux prevention type

Receptacle : Straight Type



PCB Mounting Pattern

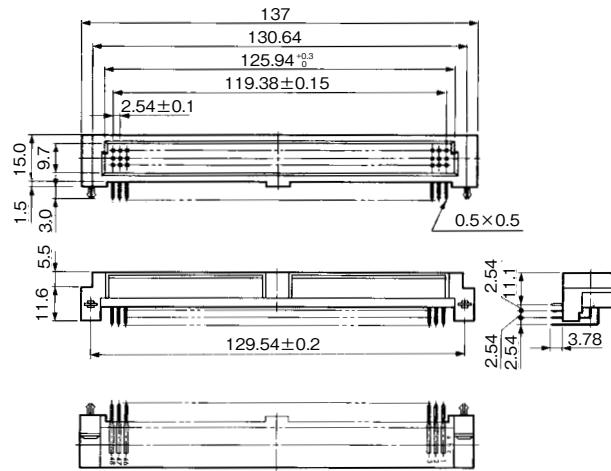
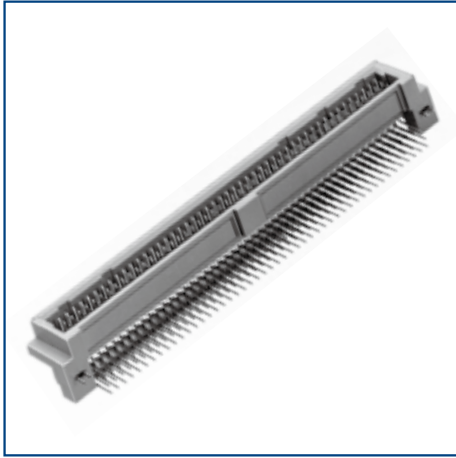


Unit : mm

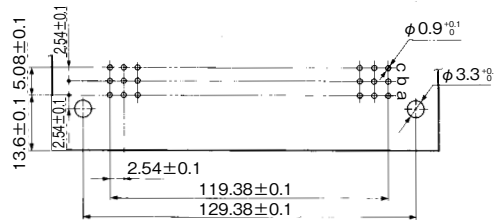
Part No.	HRS No.	No. of Pos.	RoHS	Purchase Unit
PCN10-64ACS-2.54DSA(72)	CL0583-0044-4-72	64	○	15pcs per tray

Pin Header : 3-row Right Angle Type 144pos.

- With Lock Pin for Temporary Board Installation



PCB Mounting Pattern

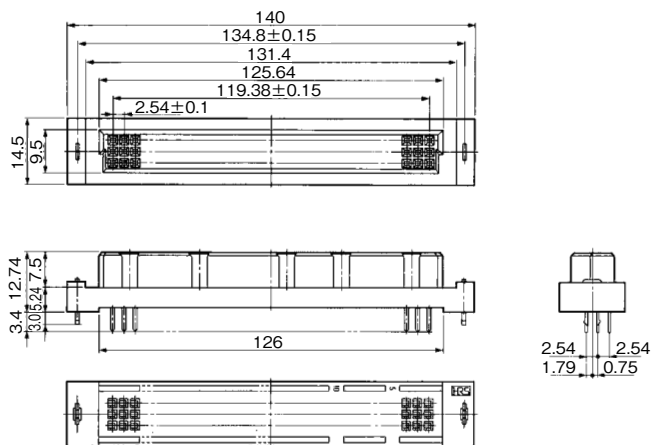


Unit : mm

Part No.	HRS No.	No. of Pos.	RoHS	Purchase Unit
PCN10MA-144P-2.54DS(72)	CL0583-0131-7-72	144	○	20pcs per tray

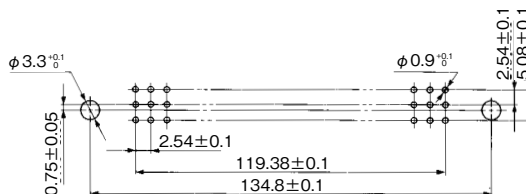
Receptacle : 3-row Straight Type 144pos.

- With Lock Pin for Temporary Board Installation



Sequential contacts in rows a, b and c are located at 27 points between contact no.30-38.

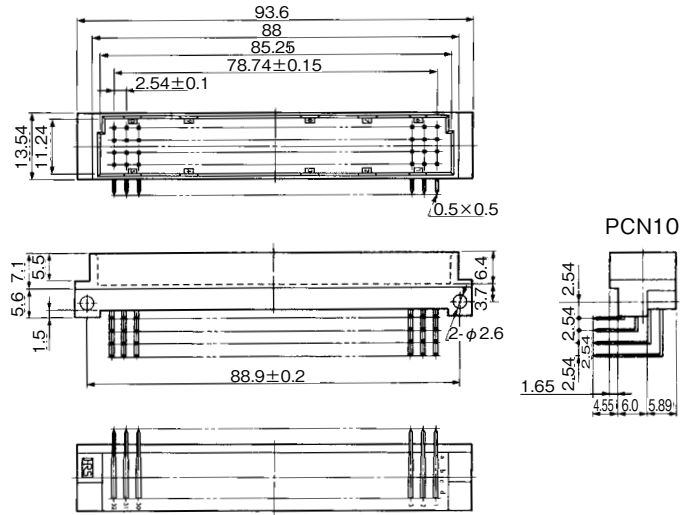
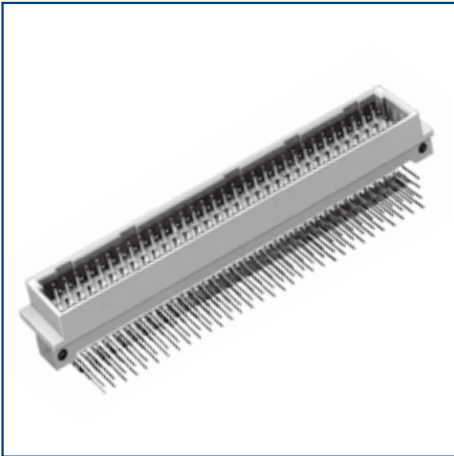
PCB Mounting Pattern



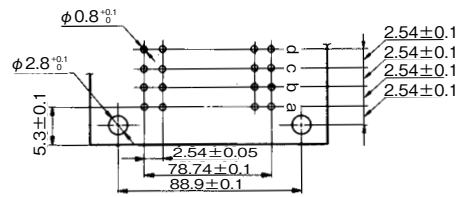
Unit : mm

Part No.	HRS No.	No. of Pos.	RoHS	Purchase Unit
PCN10MA-144S-2.54DSA(72)	CL0583-0130-4-72	144	○	20pcs per tray

Pin Header : 4-row Right Angle Type



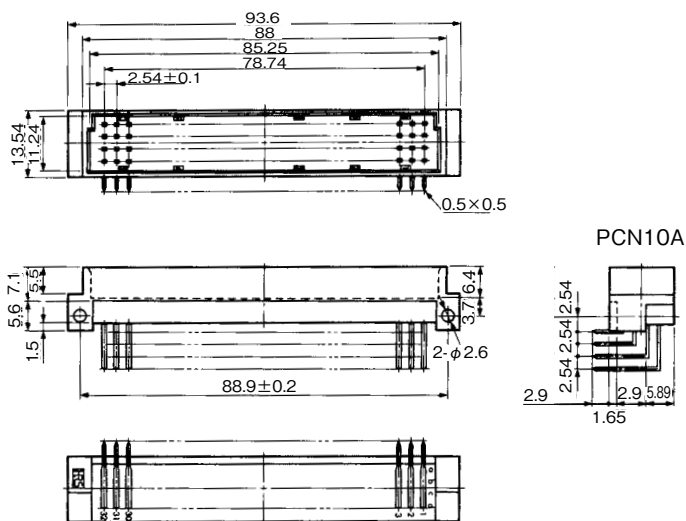
PCB Mounting Pattern



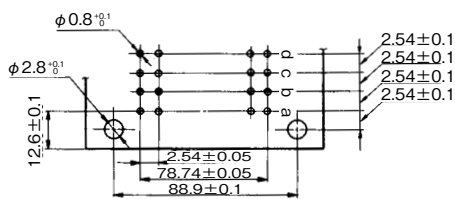
Unit : mm

Part No.	HRS No.	No. of Pos.	RoHS	Purchase Unit
PCN10-128P-2.54DS(72)	CL0583-0087-7-72	128	○	12pcs per tray

Pin Header : 4-row Right Angle Type



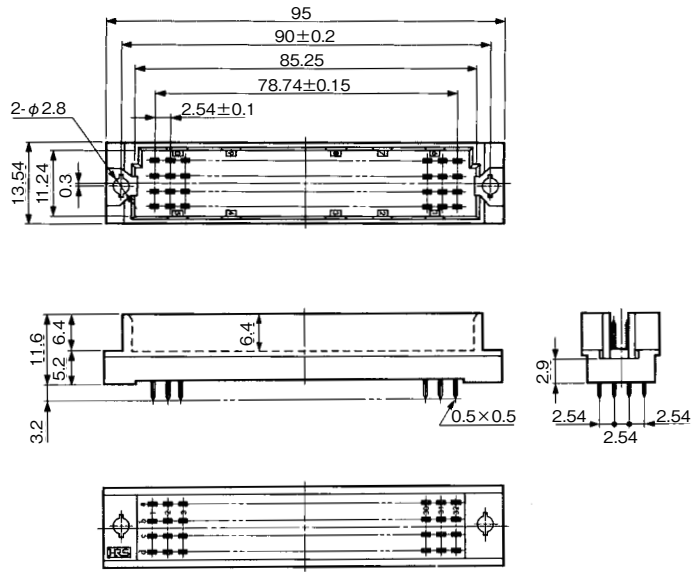
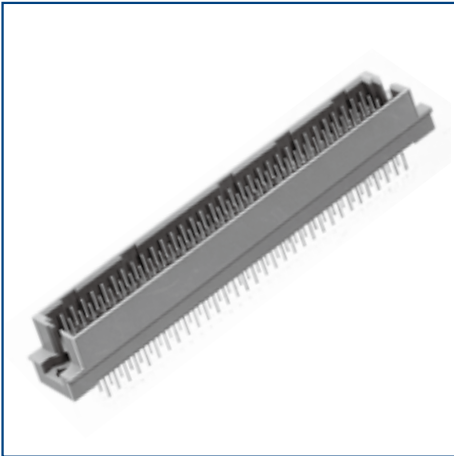
PCB Mounting Pattern



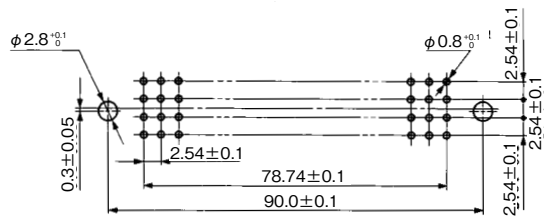
Unit : mm

Part No.	HRS No.	No. of Pos.	RoHS	Purchase Unit
PCN10A-128P-2.54DS(72)	CL0583-0088-0-72	128	○	12pcs per tray

Pin Header : 4-row Straight Type



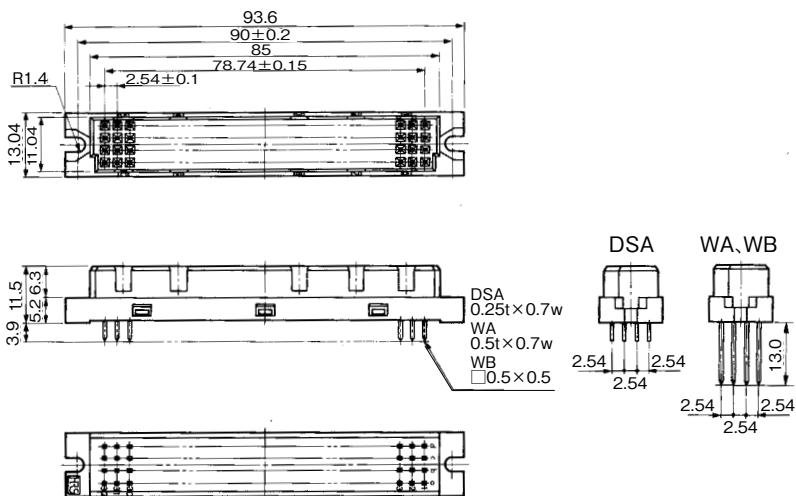
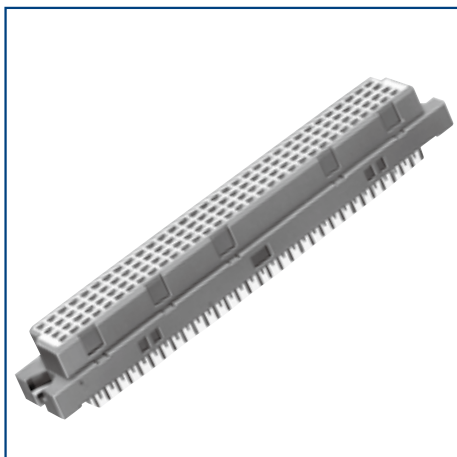
PCB Mounting Pattern



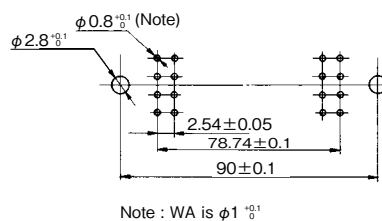
Unit : mm

Part No.	HRS No.	No. of Pos.	RoHS	Purchase Unit
PCN10-128P-2.54DSA(72)	CL0583-0215-5-72	128	○	15pcs per tray

Receptacle : 4-row Straight Type



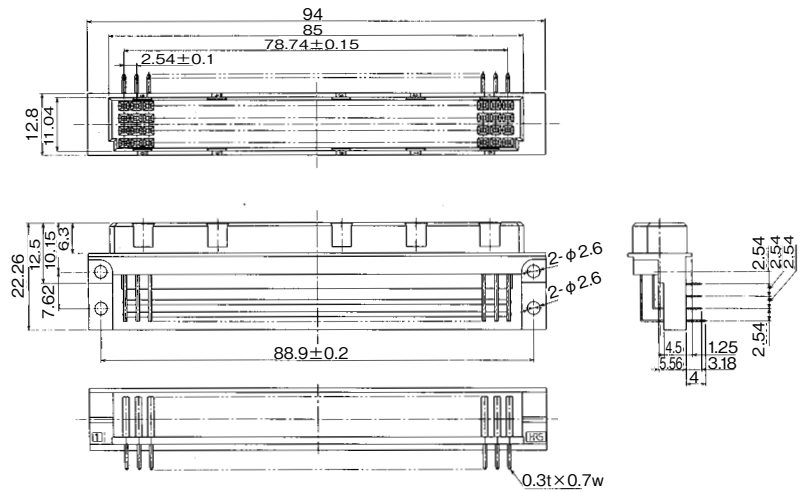
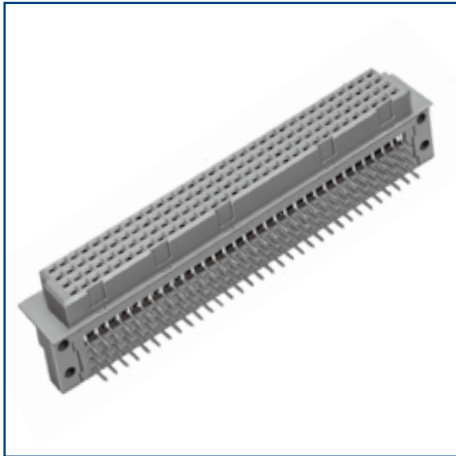
PCB Mounting Pattern



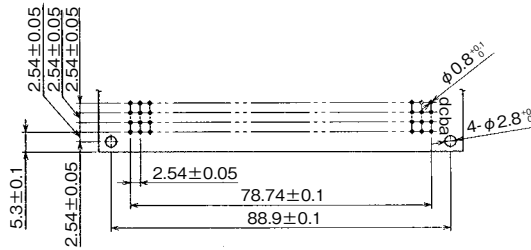
Unit : mm

Part No.	HRS No.	No. of Pos.	RoHS	Purchase Unit
PCN10-128S-2.54DSA(72)	CL0583-0089-2-72	128	○	12pcs per tray
PCN10-128S-2.54WA(72)	CL0583-0090-1-72	128		16pcs per tray
PCN10-128S-2.54WB(72)	CL0583-0091-4-72	128		

Receptacle : 4-row Right Angle Type



PCB Mounting Pattern



Unit : mm

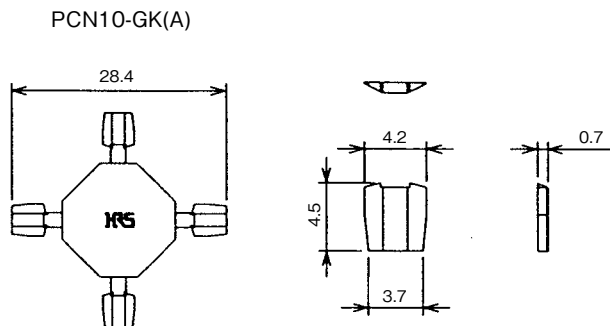
Part No.	HRS No.	No. of Pos.	RoHS	Purchase Unit
PCN10B-128S-2.54DS(72)	CL0583-0333-1-72	128	○	12pcs per tray

Polarity Key

Use of the polarity key prevents connector misinsertion.

Insert the polarity key into both the receptacle side and pin header side.

Insert the polarity key far enough so that it makes contact with the bottom of the mold.

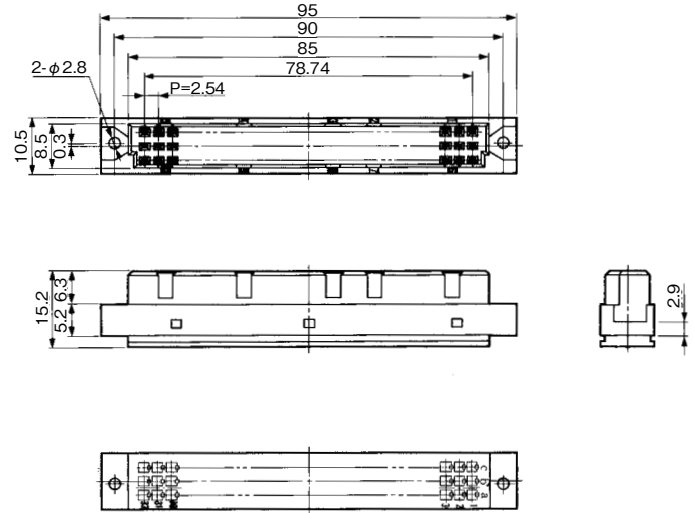
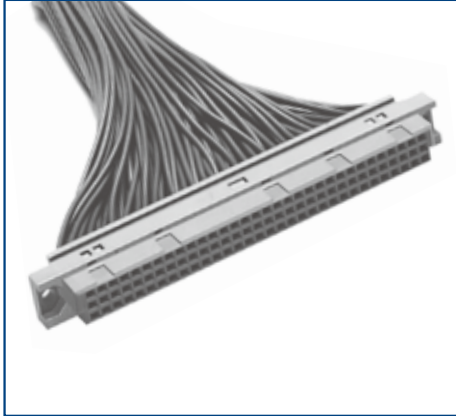


Part No.	HRS No.	Material	Color	RoHS	Purchase Unit
PCN10-GK(A)	CL0583-0269-4-00	PBT	Black	○	100pcs per bag (The above diagram include 4 polarity keys.)

Crimping Connector Compliant with DIN Standard

Ratings	Crimping		Insulation Displacement
Rated Current	26 AWG	28, 30 AWG	1A
	2A	1A	
Rated Voltage	300V AC		200V AC

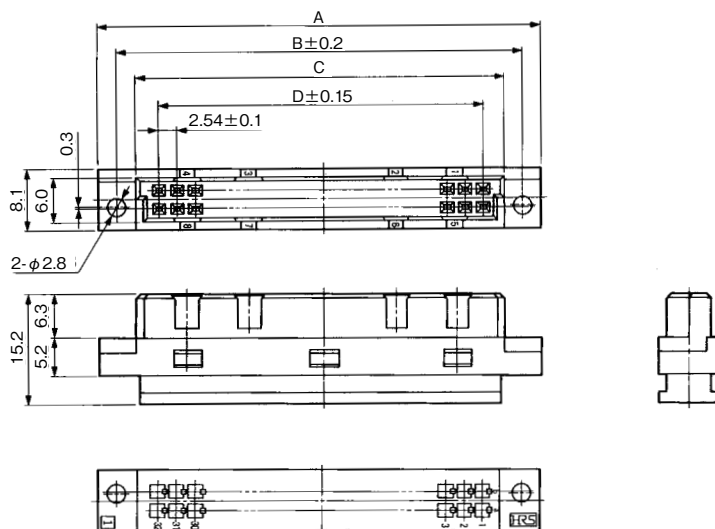
●3-row Type



Unit : mm

Part No.	HRS No.	No. of Pos.	RoHS	Purchase Unit
PCN10-96S-2.54C	CL0583-0100-3-00	96	○	10pcs per bag

●2-row Type



Unit : mm

Part No.	HRS No.	No. of Pos.	A	B	C	D	RoHS	Purchase Unit
PCN10-20S-2.54C	CL0583-0241-5-00	20	39.12	34.12	29.12	22.86	○	10pcs per bag
PCN10-64S-2.54C	CL0583-0243-0-00	64	95.00	90.00	85.00	78.74		

Applicable crimping tool

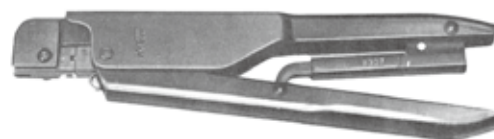
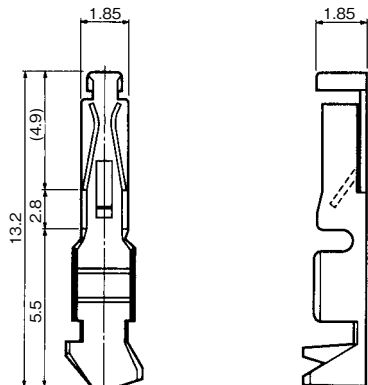
● Manual Crimping Tool

Crimp Contact

- PCN10-2630SC (Fully Gold Plated)
CL0583-0102-9-00 (RoHS Compliant)
【Purchase Unit】100pcs per bag
- PCN10-2226SC (Partially Gold Plated)
CL0583-0216-8-00 (RoHS Compliant)
【Purchase Unit】100pcs per bag

Crimping Tool

- PCN10-TA2630HC (PCN10-2630SC)
CL0550-0163-2-00
- PCN10-TA2226HC (PCN10-2226SC)
CL0550-0218-2-00



Applicable Cable

- PCN10-2630SC : 26-30 AWG
- PCN10-2226SC : 22-26 AWG

● Automatic Crimping Tool

Item	Part Number	HRS.No.	Applicable Contact
Crimping Machine Body	CM-105C	CL0901-0001-0-00	—
Applicator	AP105-PCN10-2226S	CL0901-3506-6-00	PCN10-2226SCF
	AP105-PCN10-2630S	CL0901-3508-1-00	PCN10-2630SCF

● Contact Extraction Tool

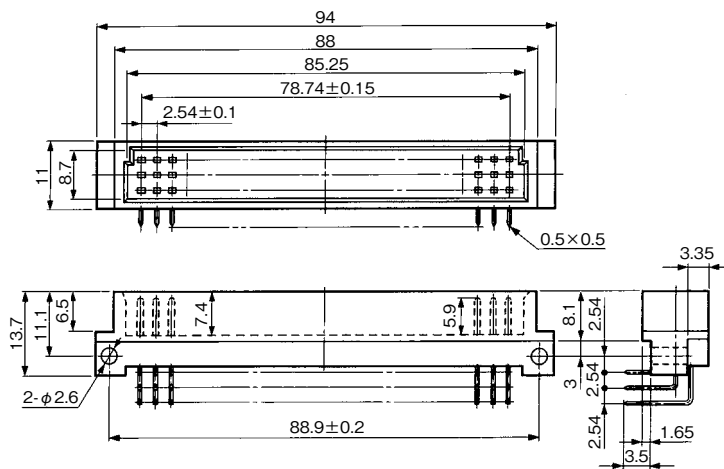
Part No.	HRS.No.
PCN10-PO	CL0550-0282-1-00

Circuit Protection Type

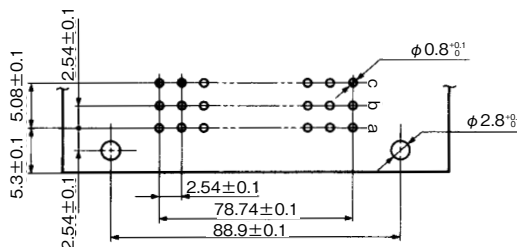
●Features

1. When mated, first the power supply (ground) is contacted followed by signal. When removed, the signal is disconnected followed by power supply (ground). This prevents the circuit from being affected if the board is removed or inserted when the power is on.
2. The exterior is black to distinguish it from the other PCN10 Series. (PCN10MC cannot be mated with other series.)

●Pin Header : 3-row Right Angle Type



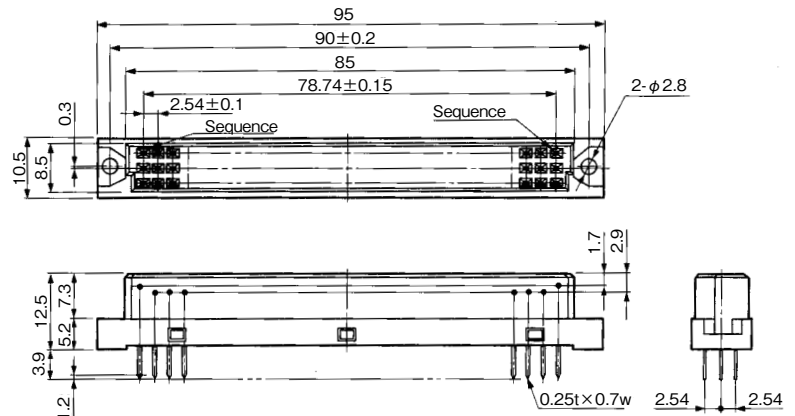
PCB Mounting Pattern



Unit : mm

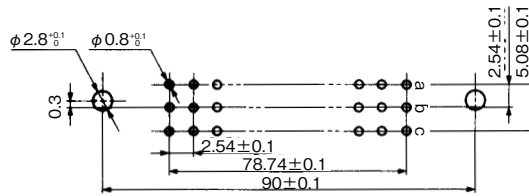
Part No.	HRS No.	No. of Pos.	RoHS	Purchase Unit
PCN10MC-96P-2.54DS(72)	CL0583-0120-0-72	96	○	24pcs per tray

● Receptacle : 3-row Straight Type



The sequential contacts are No.1 and No.32 in row a.

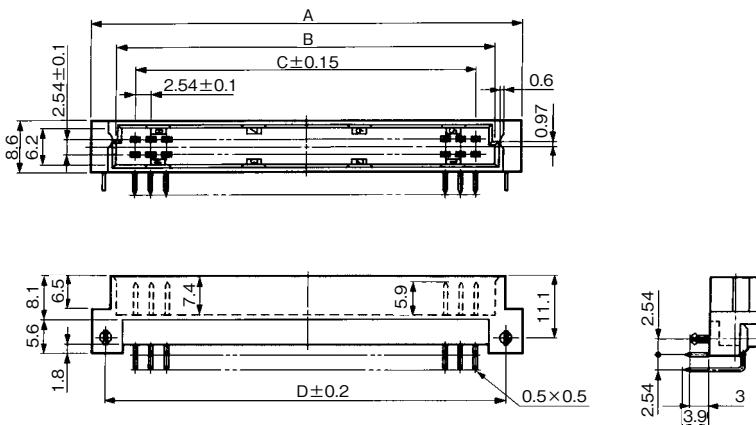
PCB Mounting Pattern



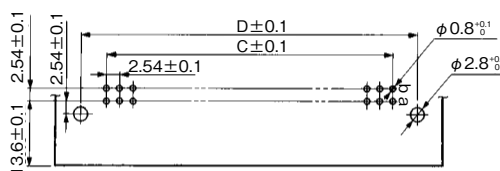
Unit : mm

Part No.	HRS No.	No. of Pos.	RoHS	Purchase Unit
PCN10MC-96S-2.54DSA(72)	CL0583-0169-0-72	96	○	15pcs per tray

● Pin Header : 2-row Right Angle Type



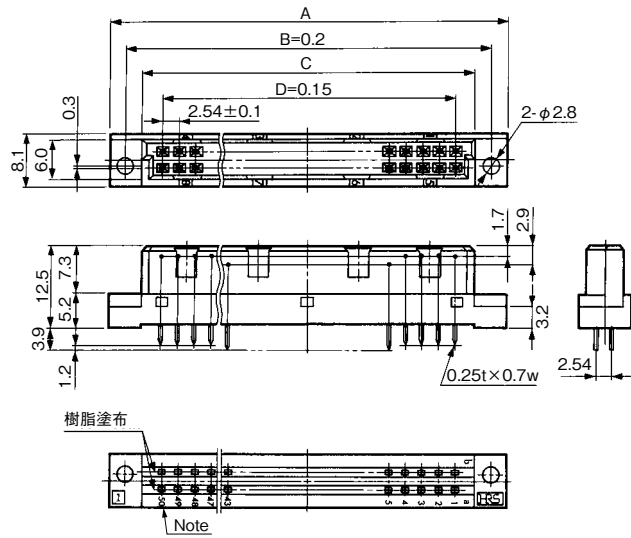
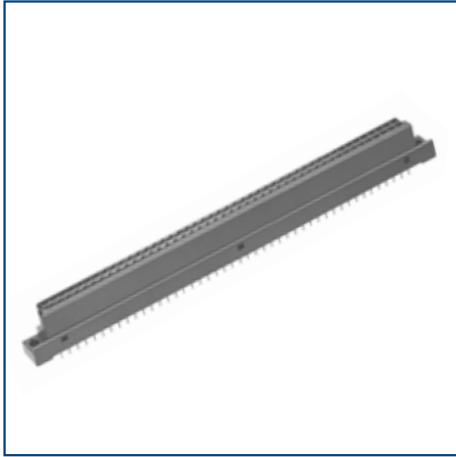
PCB Mounting Pattern



Unit : mm

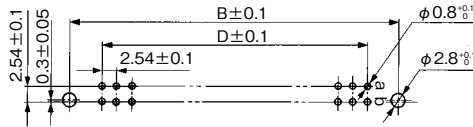
Part No.	HRS No.	No. of Pos.	A	B	C	D	RoHS	Purchase Unit
PCN10MC-64P-2.54DS(72)	CL0583-0211-4-72	64	94.00	85.35	78.74	88.90	○	10pcs per tray
PCN10MC-100P-2.54DS(72)	CL0583-0212-7-72	100	139.72	131.07	124.46	134.62		

●Receptacle : 2-row Straight Type



(64 contacts) : The sequential contacts are located at 22 points from contact No.1-4 and 26-32.
 (100 contacts) : The sequential contacts are located at 22 points from contact No.1-4 and 44-50.

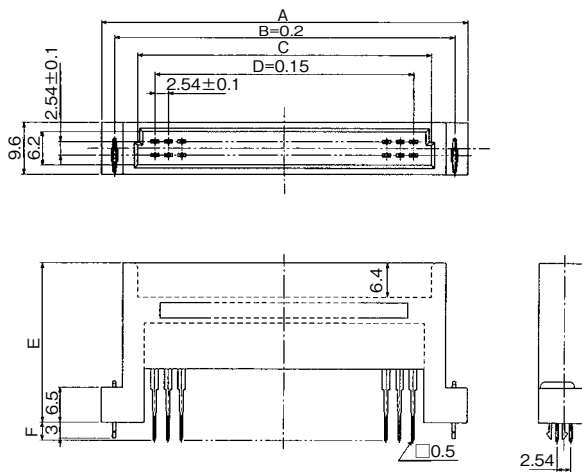
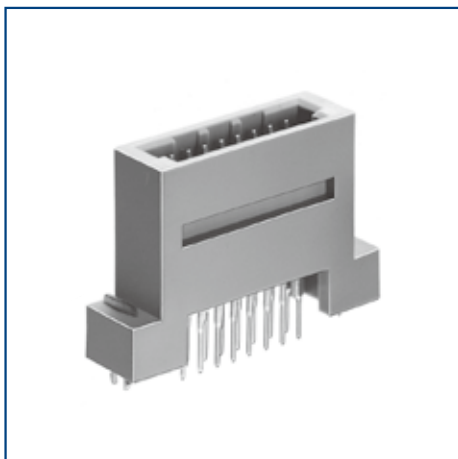
PCB Mounting Pattern



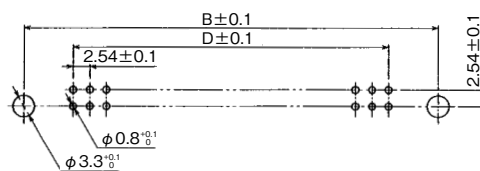
Unit : mm

Part No.	HRS No.	No. of Pos.	A	B	C	D	RoHS	Purchase Unit
PCN10MC-64S-2.54DSA(72)	CL0583-0213-0-72	64	95.00	90.00	85.00	78.74	○	30pcs per tray
PCN10MC-100S-2.54DSA(72)	CL0583-0214-2-72	100	140.72	135.72	130.72	124.46		20pcs per tray

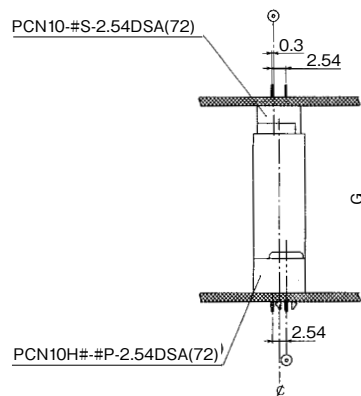
Stacking Pin Header



PCB Mounting Pattern



Application Pattern



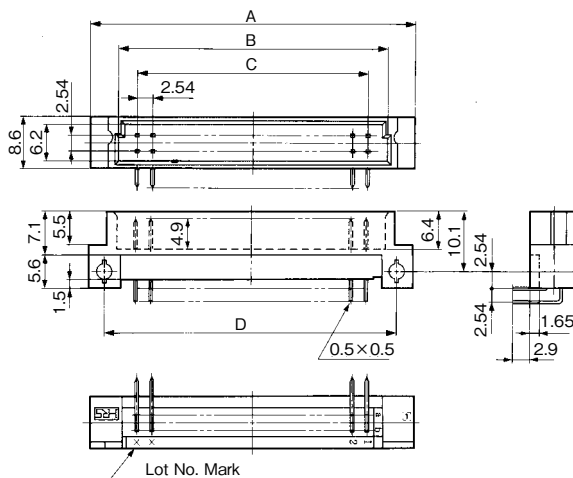
Unit : mm

Part No.	HRS No.	No. of Pos.	A	B	C	D	E	F	G	RoHS	Purchase Unit				
PCN10H-16P-2.54DSA(72)	CL0583-0227-4-72	16	37.92	33.02	24.39	17.78	29.80	3.44	35.00	○	20pcs per tray				
PCN10H-20P-2.54DSA(72)	CL0583-0157-0-72	20	43.00	38.10	29.47	22.86									
PCN10H-24P-2.54DSA(72)	CL0583-0425-8-72	24	48.08	43.18	34.55	27.94									
PCN10H-32P-2.54DSA(72)	CL0583-0161-8-72	32	58.24	53.34	44.71	38.10									
PCN10H-44P-2.54DSA(72)	CL0583-0164-6-72	44	73.48	68.58	59.95	53.34									
PCN10H-50P-2.54DSA(72)	CL0583-0401-0-72	50	81.10	76.20	67.57	60.96									
PCN10HA-16P-2.54DSA(72)	CL0583-0228-7-72	16	37.92	33.02	24.39	17.78	24.80	3.36	30.00			○	20pcs per tray		
PCN10HA-20P-2.54DSA(72)	CL0583-0158-3-72	20	43.00	38.10	29.47	22.86									
PCN10HA-24P-2.54DSA(72)	CL0583-0426-0-72	24	48.08	43.18	34.55	27.94									
PCN10HA-32P-2.54DSA(72)	CL0583-0162-0-72	32	58.24	53.34	44.71	38.10									
PCN10HA-44P-2.54DSA(72)	CL0583-0165-9-72	44	73.48	68.58	59.95	53.34									
PCN10HA-50P-2.54DSA(72)	CL0583-0402-2-72	50	81.10	76.20	67.57	60.96									
PCN10HB-16P-2.54DSA(72)	CL0583-0229-0-72	16	37.92	33.02	24.39	17.78	19.80	3.28	25.00		○			20pcs per tray	
PCN10HB-20P-2.54DSA(72)	CL0583-0159-6-72	20	43.00	38.10	29.47	22.86									
PCN10HB-32P-2.54DSA(72)	CL0583-0163-3-72	32	58.24	53.34	44.71	38.10									
PCN10HB-44P-2.54DSA(72)	CL0583-0166-1-72	44	73.48	68.58	59.95	53.34									
PCN10HB-50P-2.54DSA(72)	CL0583-0403-5-72	50	81.10	76.20	67.57	60.96									
PCN10HC-16P-2.54DSA(72)	CL0583-0397-4-72	16	37.92	33.02	24.39	17.78									39.80
PCN10HC-44P-2.54DSA(72)	CL0583-0399-0-72	44	73.48	68.58	59.95	53.34	20pcs per tray								
PCN10HC-50P-2.54DSA(72)	CL0583-0404-8-72	50	81.10	76.20	67.57	60.96	16pcs per tray								
PCN10HD-16P-2.54DSA(72)	CL0583-0398-7-72	16	37.92	33.02	24.39	17.78	34.80	4.42	40.00			○	20pcs per tray		
PCN10HD-24P-2.54DSA(72)	CL0583-0429-9-72	24	48.08	43.18	34.55	27.94									
PCN10HD-44P-2.54DSA(72)	CL0583-0400-7-72	44	73.48	68.58	59.95	53.34									
PCN10HD-50P-2.54DSA(72)	CL0583-0405-0-72	50	81.10	76.20	67.57	60.96									

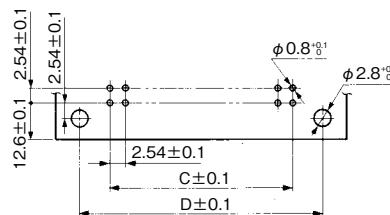
Note: Please note that the above series cannot mate with PCN10EA Series

[PCN12 Series]

Pin Header : 2-row Right Angle Type



PCB Mounting Pattern

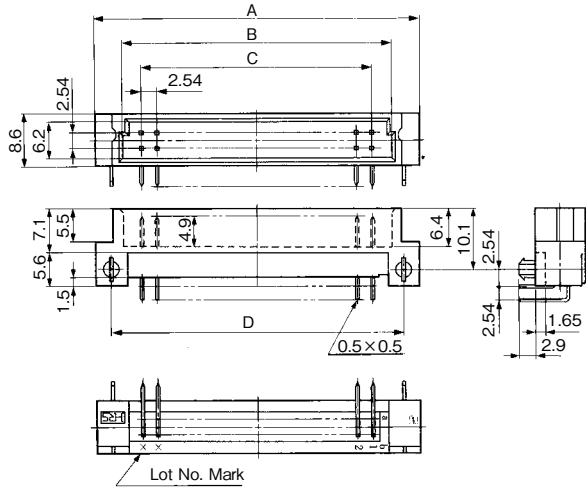
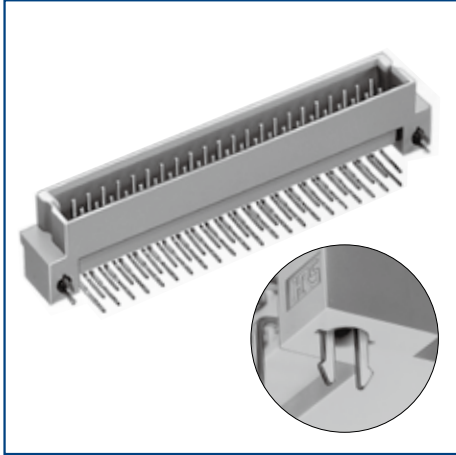


Unit : mm

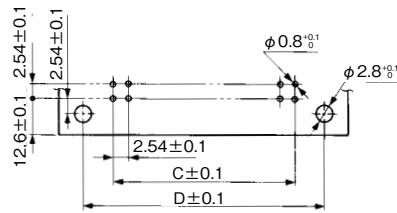
Part No.	HRS No.	No. of Pos.	A	B	C	D	RoHS	Purchase Unit
PCN12A-10P-2.54DS(71)	CL0583-2010-3-71	10	25.42	16.77	10.16	20.32	○	60pcs per tray
PCN12A-20P-2.54DS(71)	CL0583-2012-9-71	20	38.12	29.47	22.86	33.02		40pcs per tray
PCN12A-28P-2.54DS(71)	CL0583-2085-2-71	28	48.26	39.63	33.02	43.18		30pcs per tray
PCN12A-32P-2.54DS(71)	CL0583-2013-1-71	32	53.36	44.71	38.10	48.26		20pcs per tray
PCN12A-44P-2.54DS(71)	CL0583-2014-4-71	44	68.60	59.95	53.34	63.50		
PCN12A-50P-2.54DS(81)	CL0583-2015-7-81	50	76.22	67.57	60.96	71.12		10pcs per tray
PCN12A-64P-2.54DS(71)	CL0583-2016-0-71	64	94.00	85.35	78.74	88.90		

Pin Header : 2-row Right Angle Type

●With Lock Pin for Temporary Board Installation



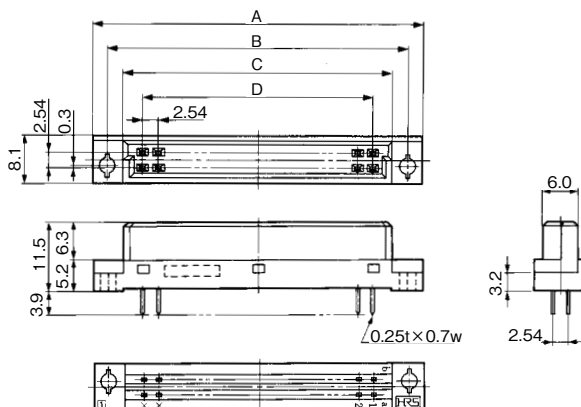
PCB Mounting Pattern



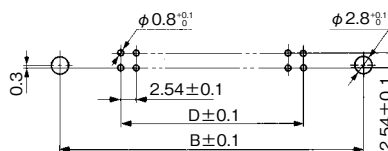
Unit : mm

Part No.	HRS No.	No. of Pos.	A	B	C	D	RoHS	Purchase Unit
PCN12EA-10P-2.54DS(71)	CL0583-2028-9-71	10	25.42	16.77	10.16	20.32	○	60pcs per tray
PCN12EA-16P-2.54DS(71)	CL0583-2029-1-71	16	33.04	24.39	17.78	27.94		40pcs per tray
PCN12EA-20P-2.54DS(71)	CL0583-2030-0-71	20	38.12	29.47	22.86	33.02		20pcs per tray
PCN12EA-32P-2.54DS(71)	CL0583-2031-3-71	32	53.36	44.71	38.10	48.26		
PCN12EA-44P-2.54DS(71)	CL0583-2032-6-71	44	68.60	59.95	53.34	63.50		10pcs per tray
PCN12EA-50P-2.54DS(71)	CL0583-2033-9-71	50	76.22	67.57	60.96	71.12		
PCN12EA-64P-2.54DS(71)	CL0583-2034-1-71	64	94.00	85.35	78.74	88.90		
PCN12EA-90P-2.54DS(71)	CL0583-2035-4-71	90	127.02	118.37	111.76	121.92		

Receptacle : Straight Type



PCB Mounting Pattern

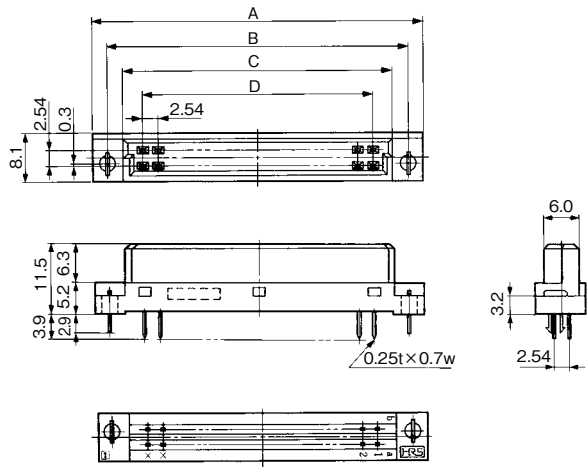
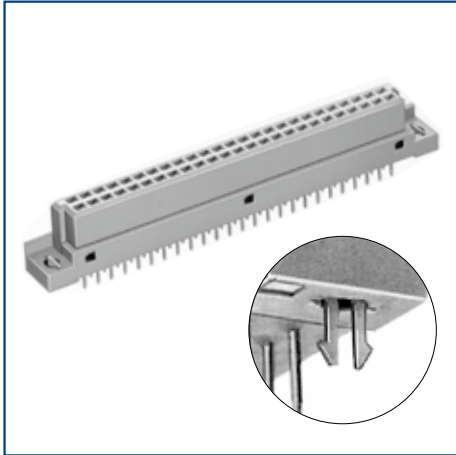


Unit : mm

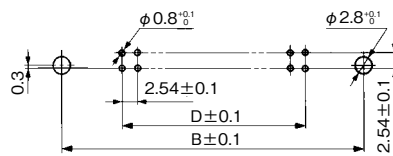
Part No.	HRS No.	No. of Pos.	A	B	C	D	RoHS	Purchase Unit
PCN12-10S-2.54DSA(71)	CL0583-2055-1-71	10	26.42	21.42	16.42	10.16	○	110pcs per tray
PCN12-16S-2.54DSA(71)	CL0583-2056-4-71	16	34.04	29.04	24.04	17.78		80pcs per tray
PCN12-20S-2.54DSA(71)	CL0583-2057-7-71	20	39.12	34.12	29.12	22.86		70pcs per tray
PCN12-24S-2.54DSA(71)	CL0583-2106-0-71	24	44.20	39.20	34.20	27.94		60pcs per tray
PCN12-28S-2.54DSA(71)	CL0583-2088-0-71	28	49.28	44.28	39.28	33.02		50pcs per tray
PCN12-32S-2.54DSA(71)	CL0583-2058-0-71	32	54.36	49.36	44.36	38.10		40pcs per tray
PCN12-44S-2.54DSA(71)	CL0583-2059-2-71	44	69.60	64.60	59.60	53.34		30pcs per tray
PCN12-50S-2.54DSA(71)	CL0583-2060-1-71	50	77.22	72.22	67.22	60.96		20pcs per tray
PCN12-64S-2.54DSA(71)	CL0583-2061-4-71	64	95.00	90.00	85.00	78.74		
PCN12-100S-2.54DSA(71)	CL0583-2063-0-71	100	140.72	135.72	130.72	124.46		

Receptacle : Straight Type

● With Lock Pin for Temporary Board Installation



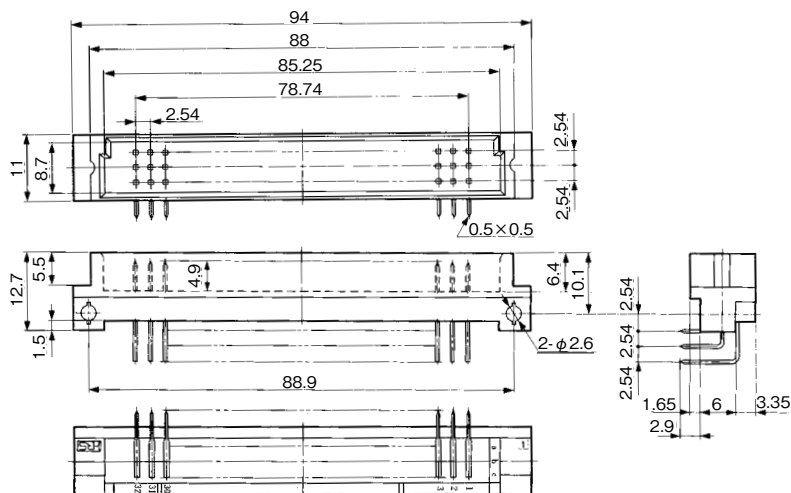
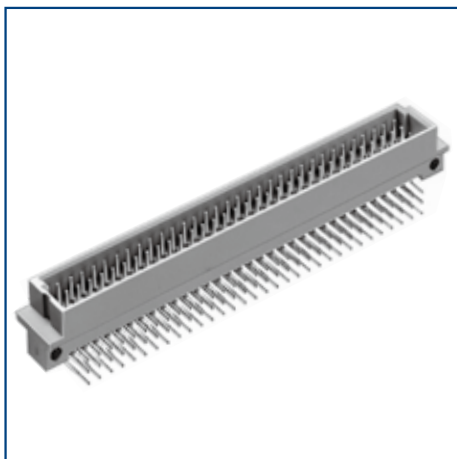
PCB Mounting Pattern



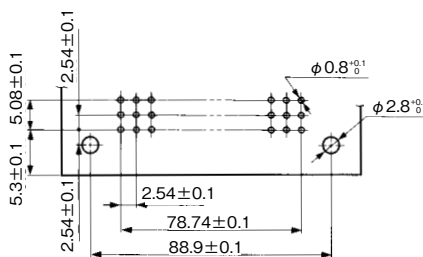
Unit : mm

Part No.	HRS No.	No. of Pos.	A	B	C	D	RoHS	Purchase Unit
PCN12E-10S-2.54DSA(71)	CL0583-2064-2-71	10	26.42	21.42	16.42	10.16	○	110pcs per tray
PCN12E-20S-2.54DSA(71)	CL0583-2066-8-71	20	39.12	34.12	29.12	22.86		70pcs per tray
PCN12E-32S-2.54DSA(71)	CL0583-2067-0-71	32	54.36	49.36	44.36	38.10		50pcs per tray
PCN12E-44S-2.54DSA(71)	CL0583-2068-3-71	44	69.60	64.60	59.60	53.34		40pcs per tray
PCN12E-50S-2.54DSA(71)	CL0583-2069-6-71	50	77.22	72.22	67.22	60.96		30pcs per tray
PCN12E-64S-2.54DSA(71)	CL0583-2070-5-71	64	95.00	90.00	85.00	78.74		
PCN12E-90S-2.54DSA(71)	CL0583-2071-8-71	90	128.02	123.02	118.02	111.76		
PCN12E-100S-2.54DSA(71)	CL0583-2072-0-71	100	140.72	135.72	130.72	124.46		20pcs per tray

Pin Header : 3-row Right Angle Type (DIN Standard Type C)



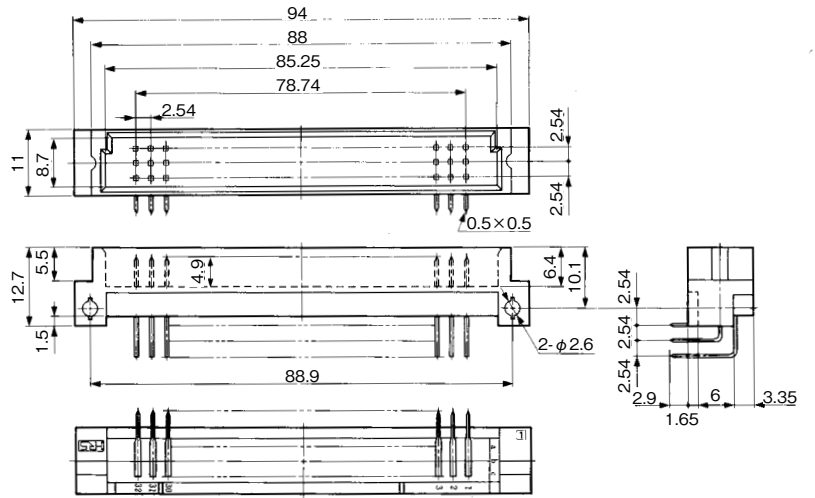
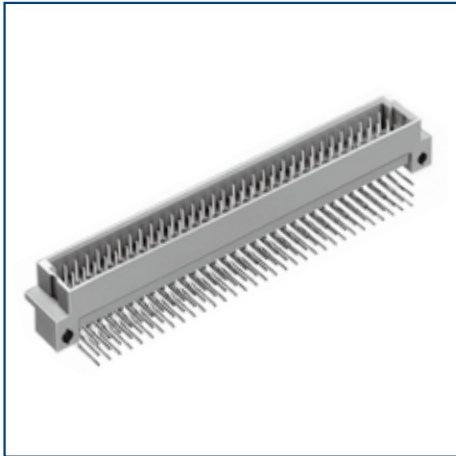
PCB Mounting Pattern



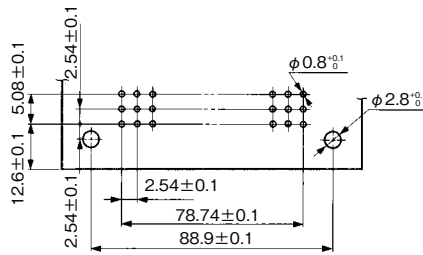
Unit : mm

Part No.	HRS No.	No. of Pos.	RoHS	Purchase Unit
PCN12-96P-2.54DS(71)	CL0583-2090-2-71	96	○	24pcs per tray

Pin Header : 3-row Right Angle Type



PCB Mounting Pattern

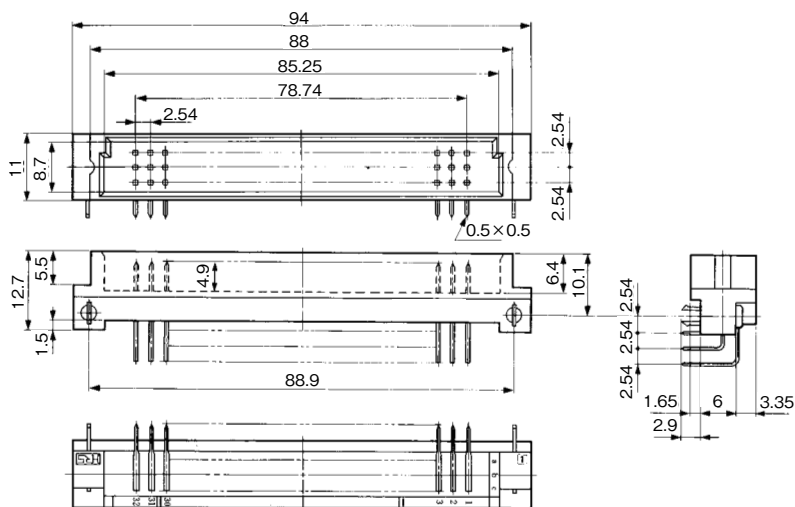
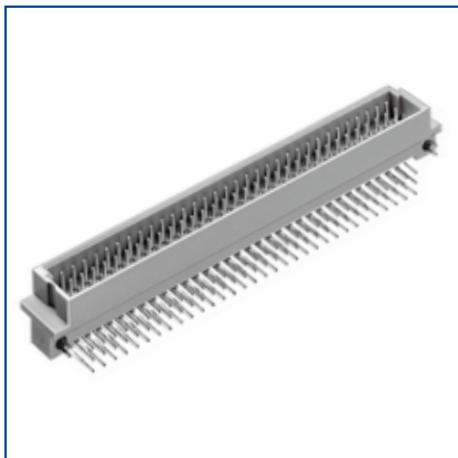


Unit : mm

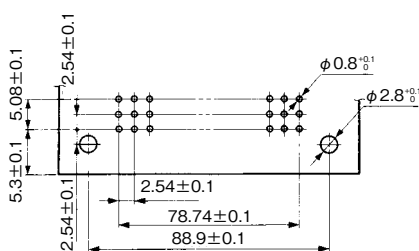
Part No.	HRS No.	No. of Pos.	RoHS	Purchase Unit
PCN12A-96P-2.54DS (71)	CL0583-2091-5-71	96	○	24pcs per tray

Pin Header: 3-row Right Angle Type (Type C)

- With Lock Pin for Temporary Board Installation



PCB Mounting Pattern

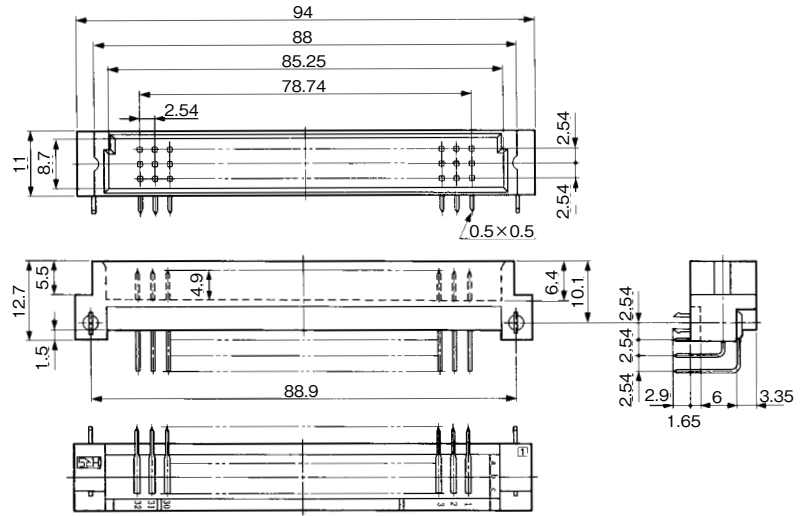
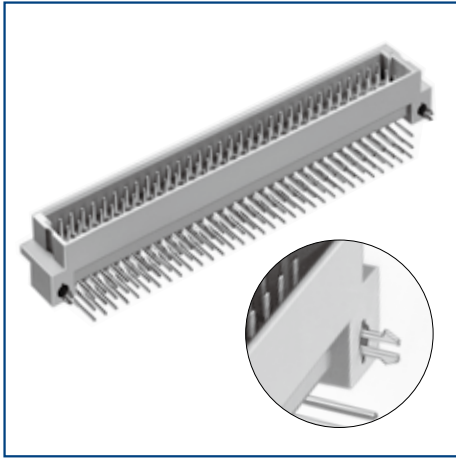


Unit : mm

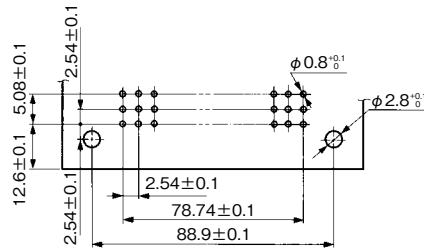
Part No.	HRS No.	No. of Pos.	RoHS	Purchase Unit
PCN12E-96P-2.54DS(71)	CL0583-2092-8-71	96	○	24pcs per tray

Pin Header : 3-row Right Angle Type

● With Lock Pin for Temporary Board Installation



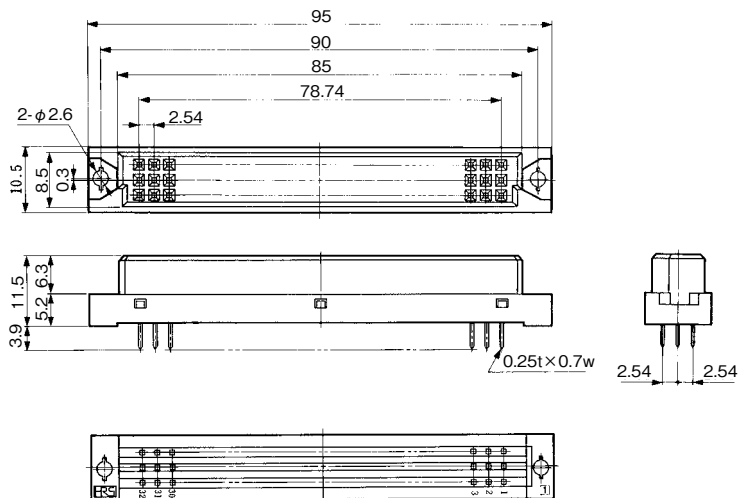
PCB Mounting Pattern



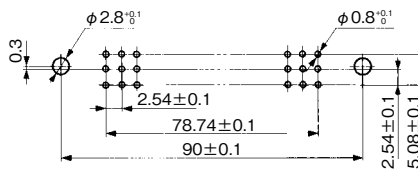
Unit : mm

Part No.	HRS No.	No. of Pos.	RoHS	Purchase Unit
PCN12EA-96P-2.54DS (71)	CL0583-2093-0-71	96	○	24pcs per tray

Receptacle : 3-row Straight Type



PCB Mounting Pattern

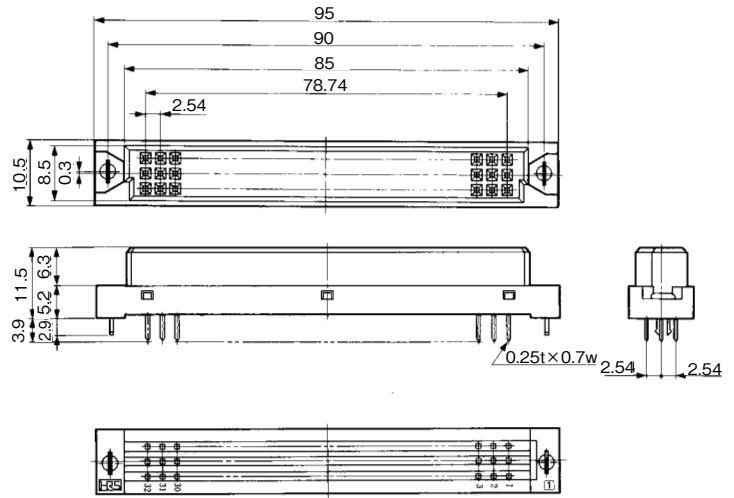
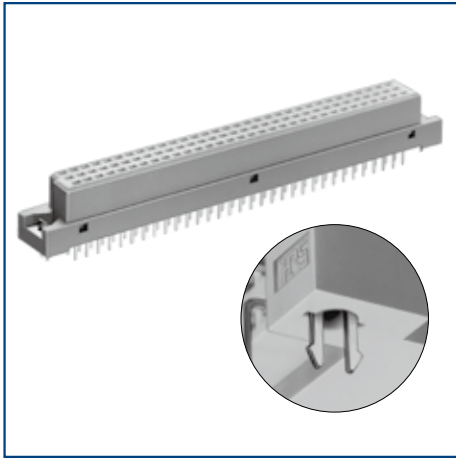


Unit : mm

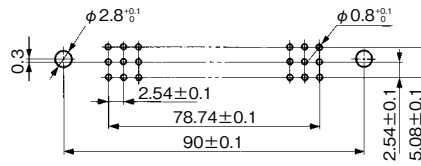
Part No.	HRS No.	No. of Pos.	RoHS	Purchase Unit
PCN12-96S-2.54DSA (71)	CL0583-2096-9-71	96	○	15pcs per tray

Receptacle: 3-row Straight Type

● With Lock Pin for Temporary Board Installation



PCB Mounting Pattern

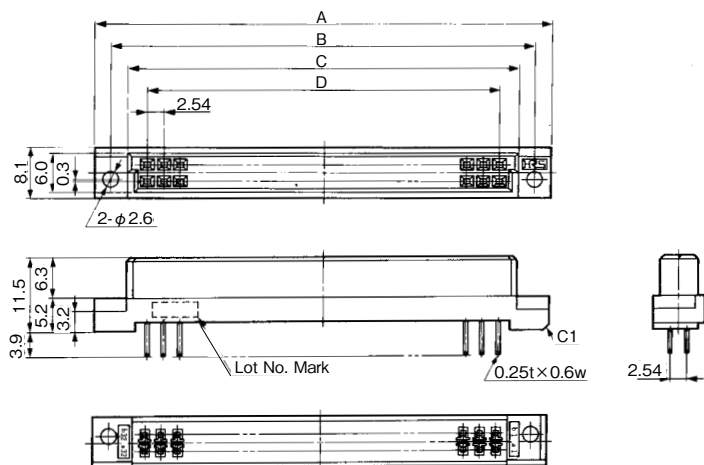


Unit : mm

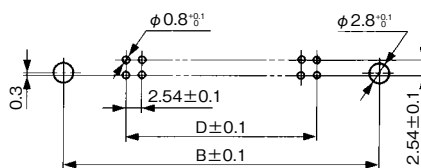
Part No.	HRS No.	No. of Pos.	RoHS	Purchase Unit
PCN12E-96S-2.54DSA (71)	CL0583-2097-1-71	96	○	15pcs per tray

[PCN13 Series]

Receptacle : 2-row Straight Type



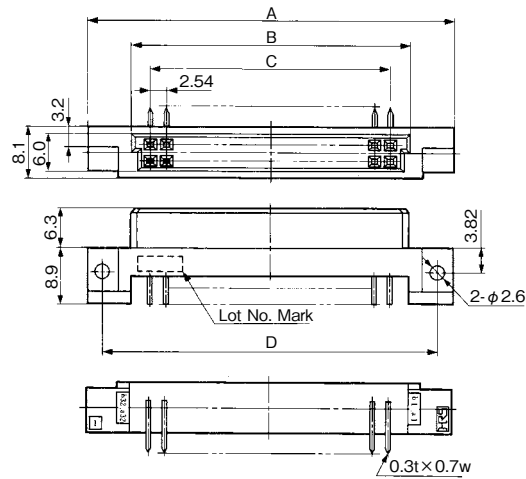
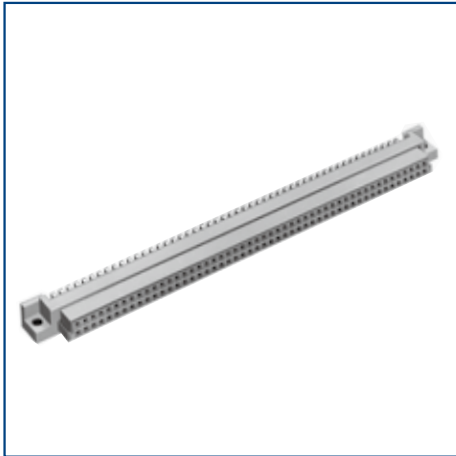
PCB Mounting Pattern



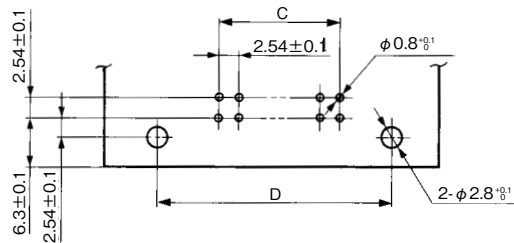
Unit : mm

Part No.	HRS No.	No. of Pos.	A	B	C	D	RoHS	Purchase Unit
PCN13-16S-2.54DSA(71)	CL0583-3001-8-71	16	34.04	29.04	24.04	17.78	○	80pcs per tray
PCN13-20S-2.54DSA(71)	CL0583-3002-0-71	20	39.12	34.12	29.12	22.86		70pcs per tray
PCN13-32S-2.54DSA(71)	CL0583-3004-6-71	32	54.36	49.36	44.36	38.10		50pcs per tray
PCN13-44S-2.54DSA(71)	CL0583-3005-9-71	44	69.60	64.60	59.60	53.34		40pcs per tray
PCN13-50S-2.54DSA(71)	CL0583-3006-1-71	50	77.22	72.22	67.22	60.96		30pcs per tray
PCN13-64S-2.54DSA(71)	CL0583-3007-4-71	64	95.00	90.00	85.00	78.74		20pcs per tray
PCN13-90S-2.54DSA(71)	CL0583-3008-7-71	90	128.02	123.02	118.02	111.76		
PCN13-100S-2.54DSA(71)	CL0583-3009-0-71	100	140.72	135.72	130.72	124.46		

Receptacle : 2-row Right Angle Type



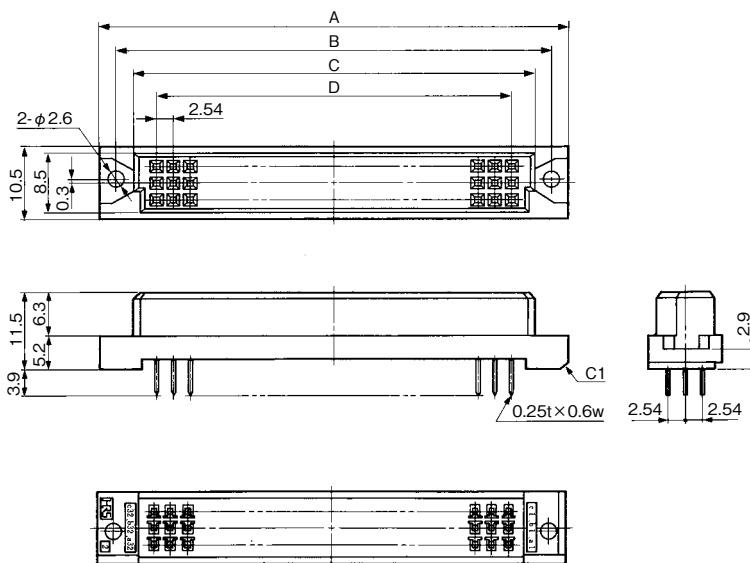
PCB Mounting Pattern



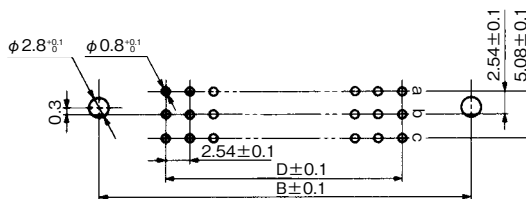
Unit : mm

Part No.	HRS No.	No. of Pos.	A	B	C	D	RoHS	Purchase Unit
PCN13-16S-2.54DS(71)	CL0583-3031-9-71	16	38.02	24.04	17.78	33.02	○	44pcs per box
PCN13-20S-2.54DS(71)	CL0583-3032-1-71	20	43.10	29.12	22.86	38.10		33pcs per tray
PCN13-30S-2.54DS(71)	CL0583-3033-4-71	30	55.80	41.82	35.56	50.80		22pcs per tray
PCN13-32S-2.54DS(71)	CL0583-3034-7-71	32	58.34	44.36	38.10	53.34		
PCN13-44S-2.54DS(71)	CL0583-3035-0-71	44	73.58	59.60	53.34	68.58		11pcs per tray
PCN13-50S-2.54DS(81)	CL0583-3036-2-81	50	81.20	67.22	60.96	76.20		
PCN13-64S-2.54DS(71)	CL0583-3037-5-71	64	98.98	85.00	78.74	93.98		
PCN13-90S-2.54DS(81)	CL0583-3038-8-81	90	132.00	118.02	111.76	127.00		
PCN13-100S-2.54DS(71)	CL0583-3039-0-71	100	144.70	130.72	124.46	139.70		

Receptacle : 3-row Straight Type



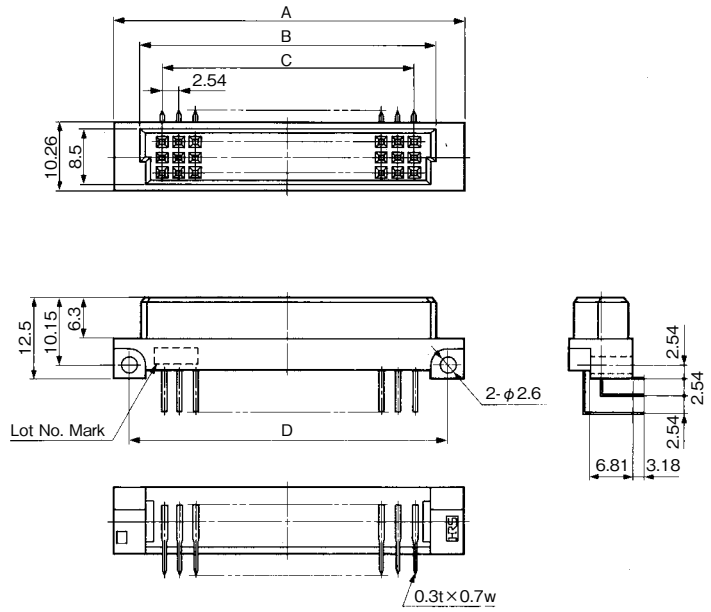
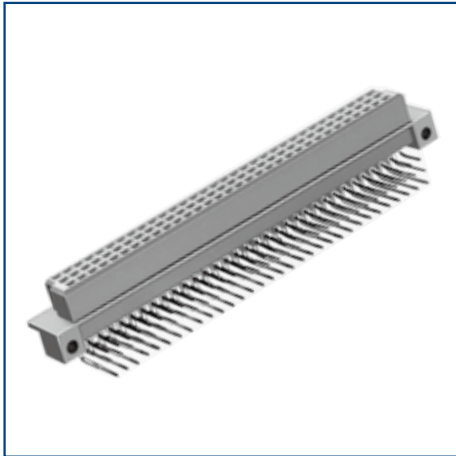
PCB Mounting Pattern



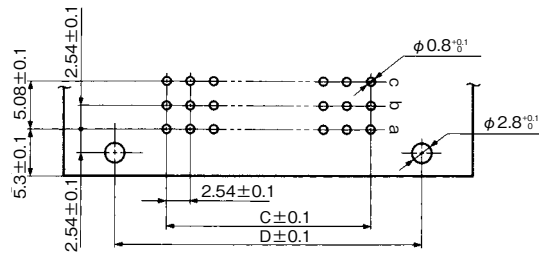
Unit : mm

Part No.	HRS No.	No. of Pos.	A	B	C	D	RoHS	Purchase Unit
PCN13-48S-2.54DSA(71)	CL0583-3010-9-71	48	54.36	50.00	44.36	38.10	○	20pcs per tray
PCN13-96S-2.54DSA(71)	CL0583-3011-1-71	96	95.00	90.00	85.00	78.74		15pcs per tray

Receptacle : 3-row Right Angle Type



PCB Mounting Pattern



Unit : mm

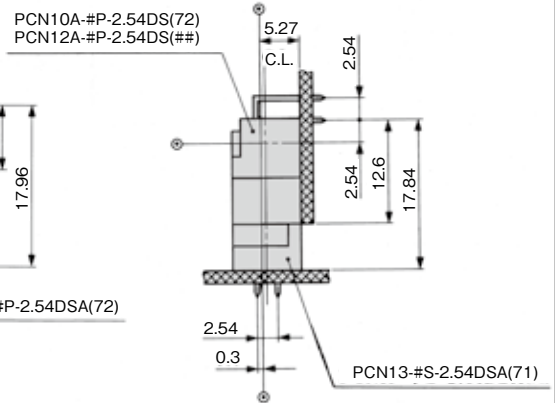
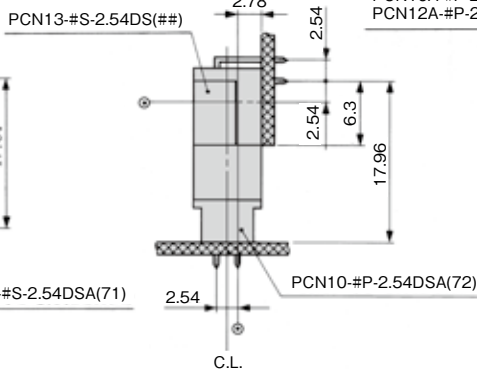
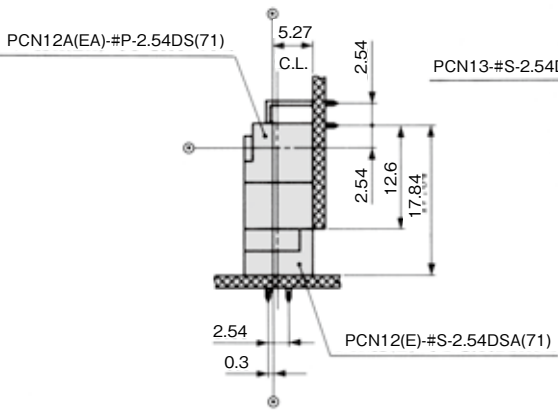
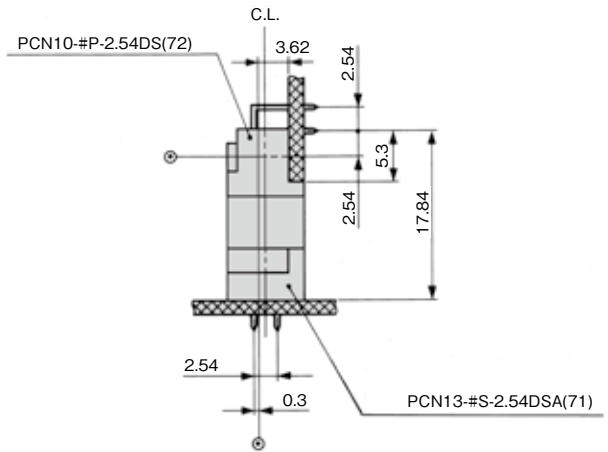
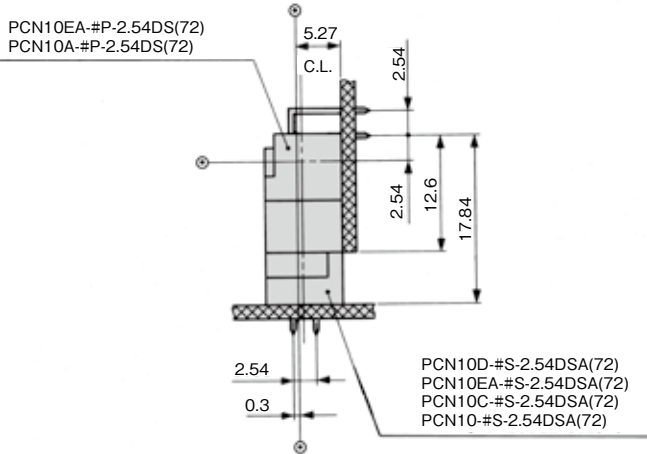
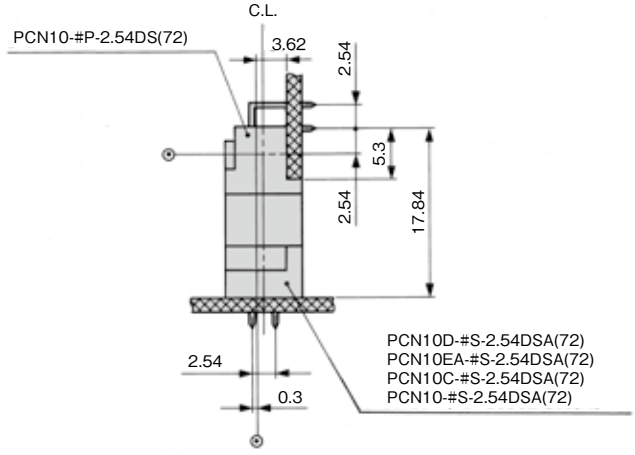
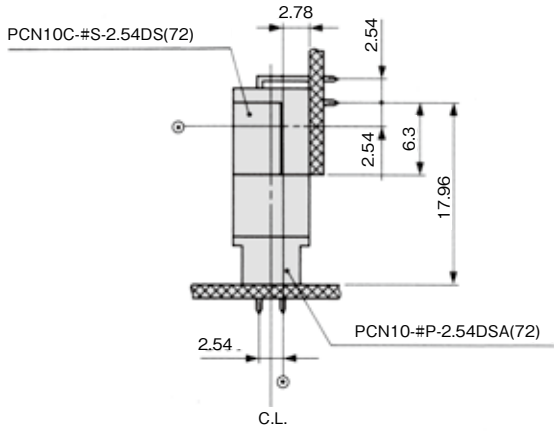
Part No.	HRS No.	No. of Pos.	A	B	C	D	RoHS	Purchase Unit
PCN13-48S-2.54DS(71)	CL0583-3040-0-71	48	53.36	44.36	38.10	48.26	○	48pcs per tray
PCN13-96S-2.54DS(71)	CL0583-3041-2-71	96	94.00	85.00	78.74	88.90		24pcs per tray

Application Pattern

● Vertical Connection

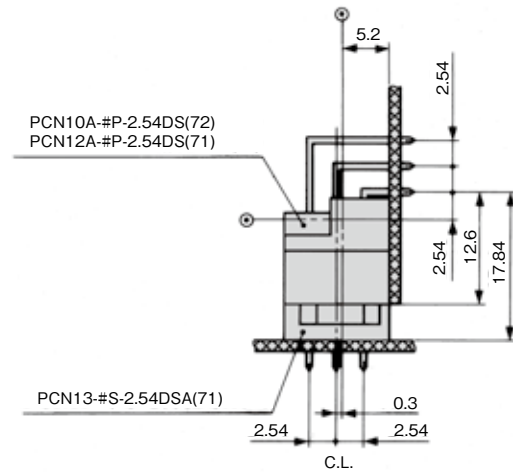
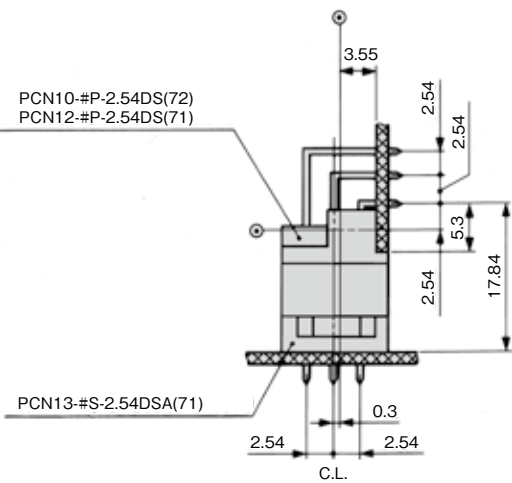
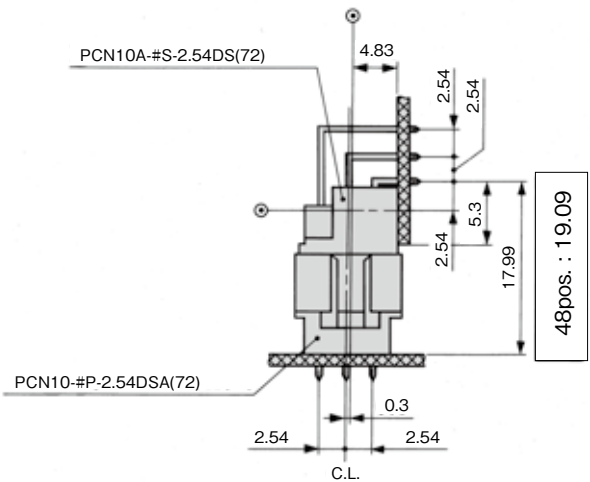
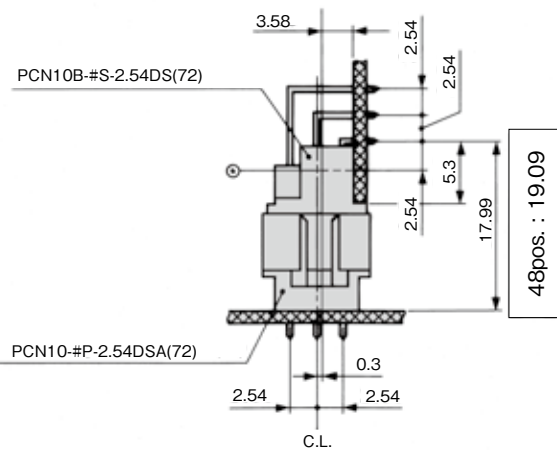
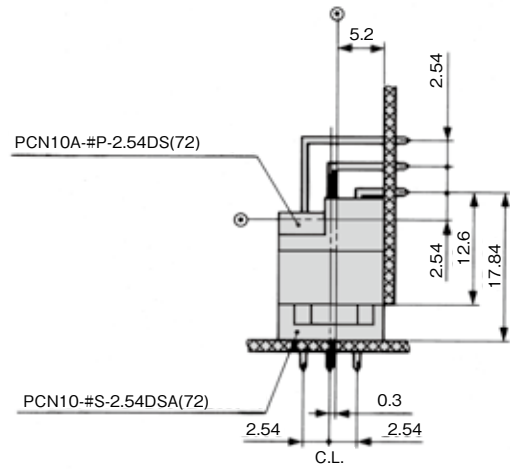
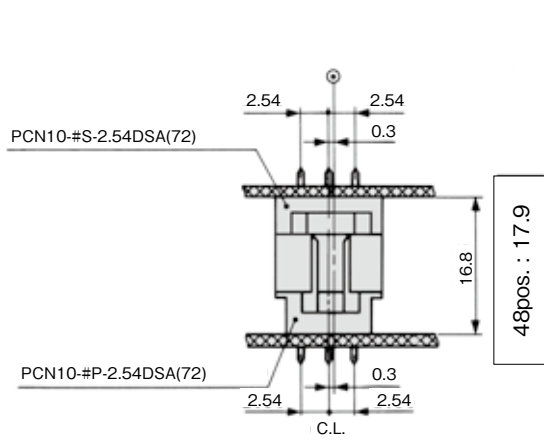
● 2-row Type

⊙ Mounting Hole Center
C.L. Center Line

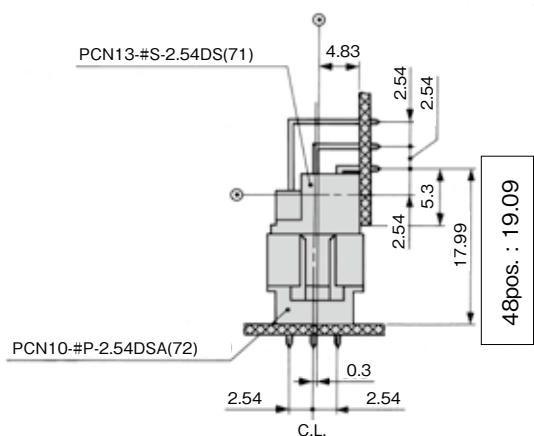
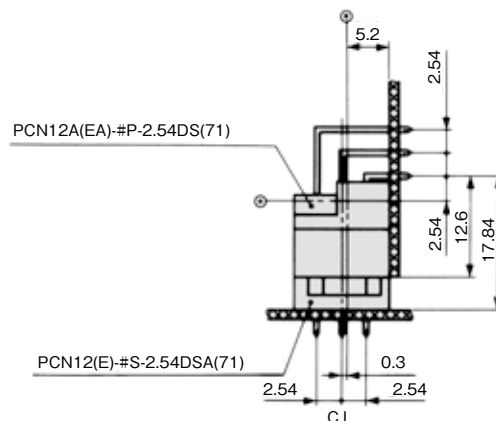
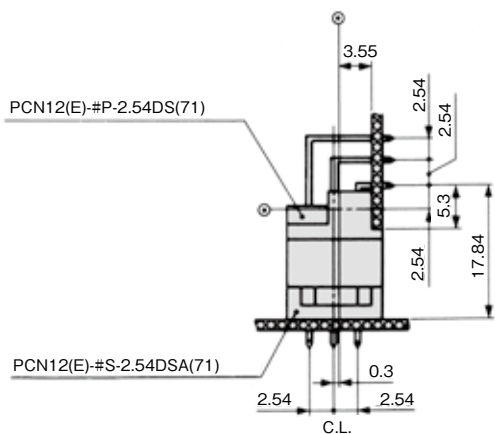


● 3-row Type

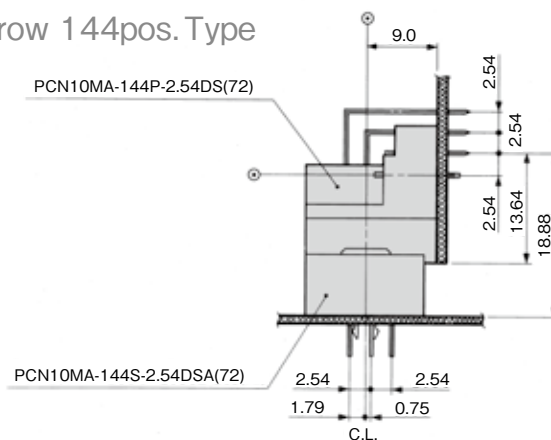
⊙ Mounting Hole Center
C.L. Center Line



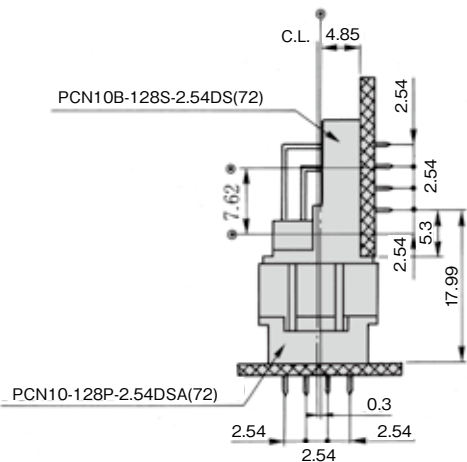
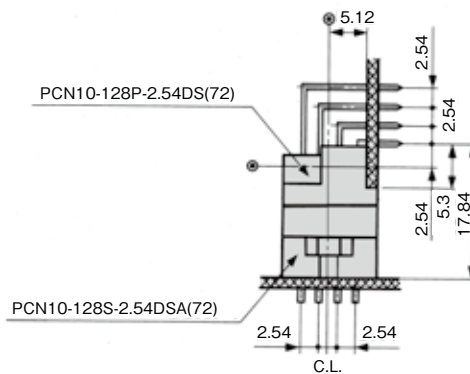
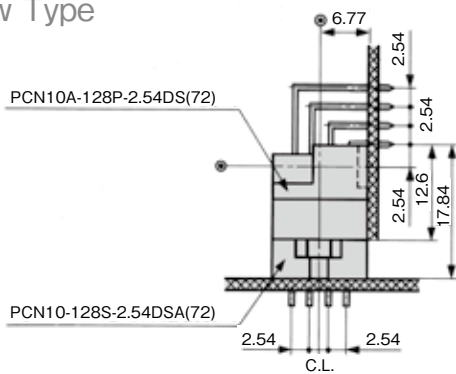
⊙ Mounting Hole Center
C.L. Center Line



● 3-row 144pos. Type



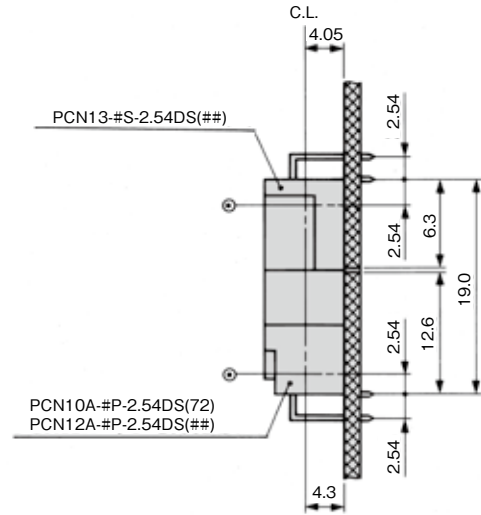
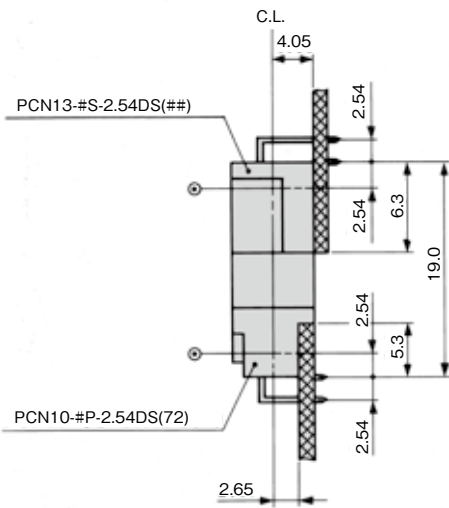
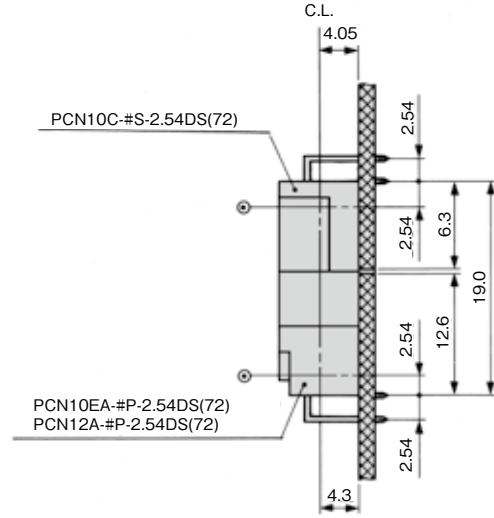
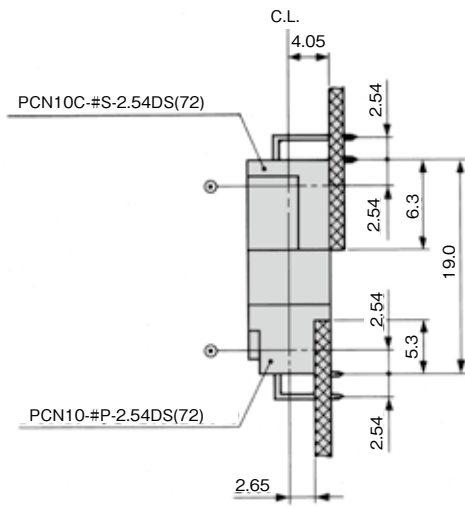
● 4-row Type



● Parallel Connection

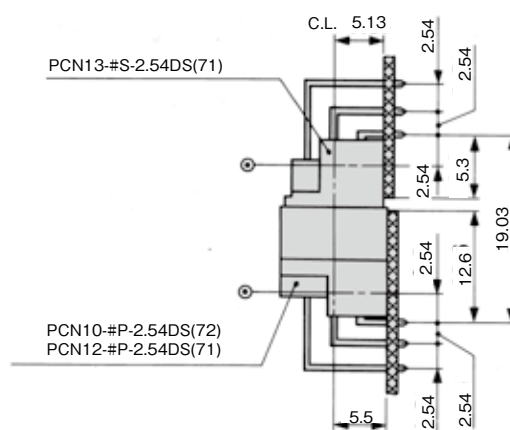
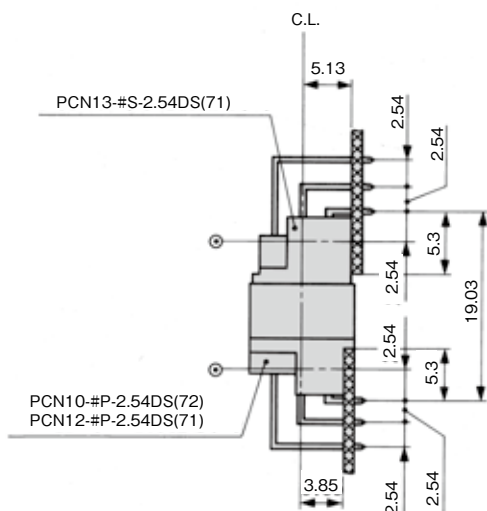
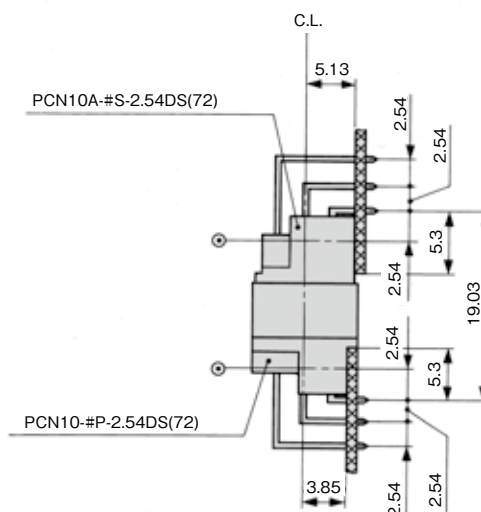
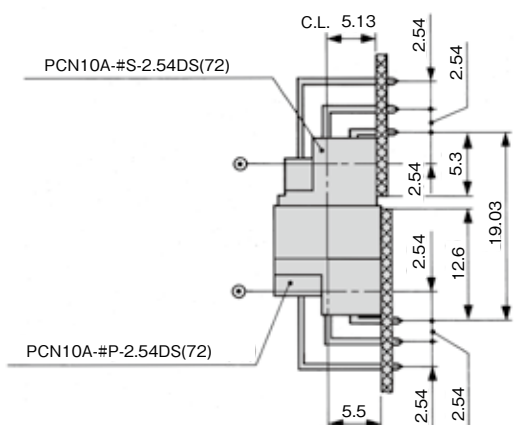
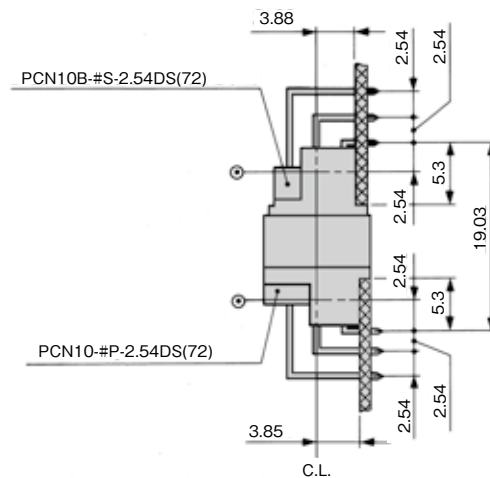
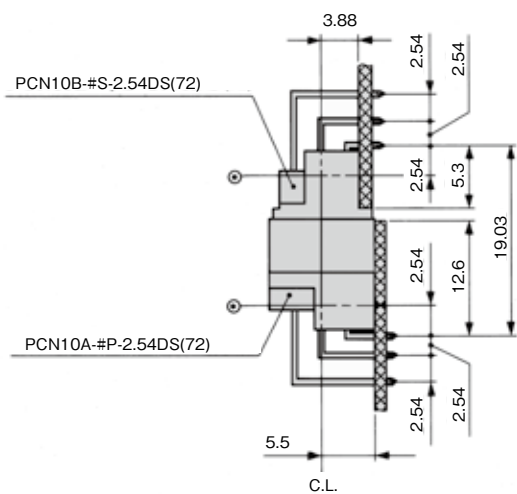
● 2-row Type

⊙ Mounting Hole Center
C.L. Center Line

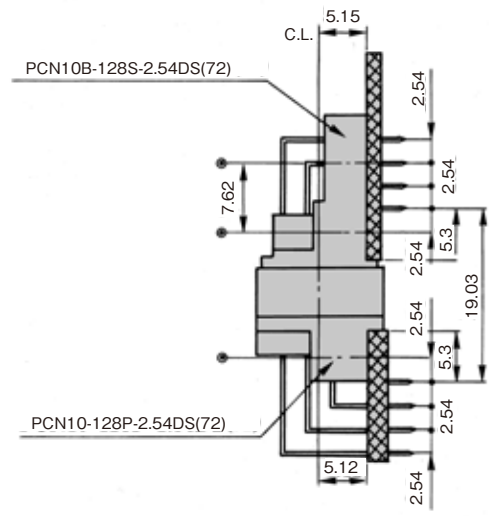
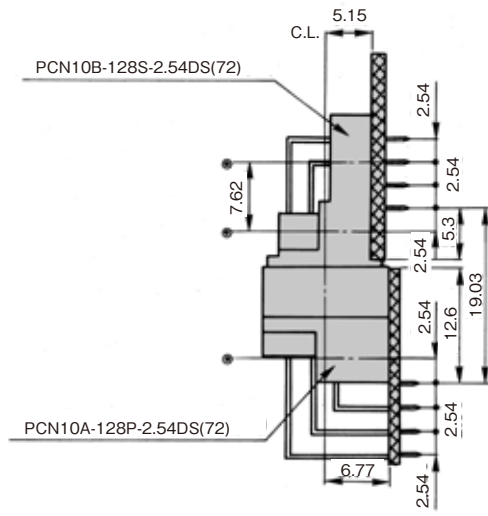


● 3-row Type

⊙ Mounting Hole Center
C.L. Center Line



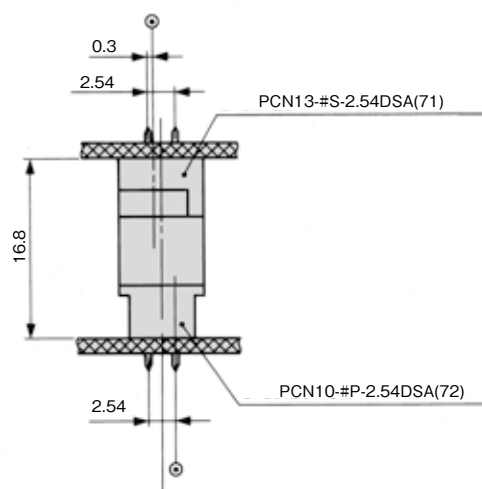
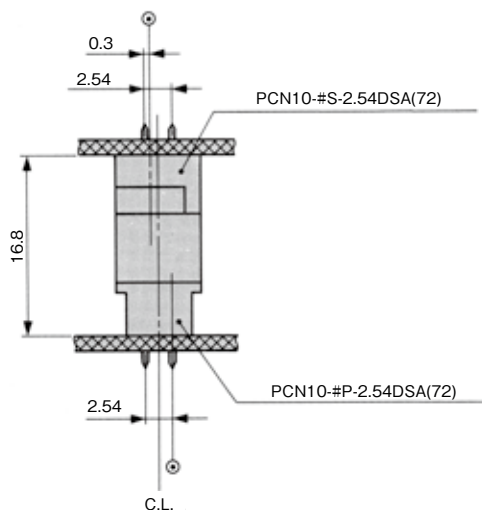
● 4-row Type



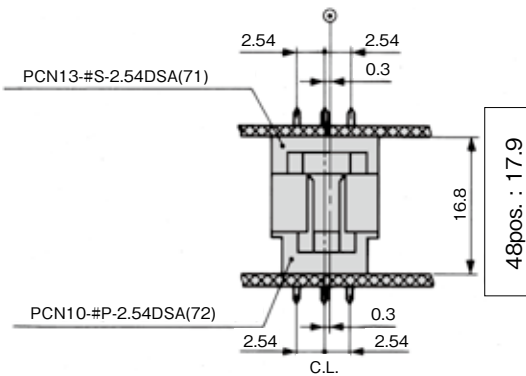
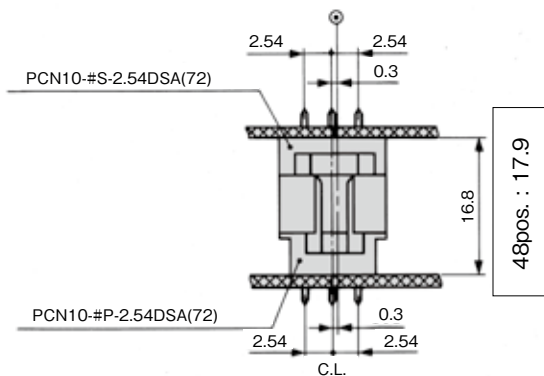
● Horizontal Connection

● 2-row Type

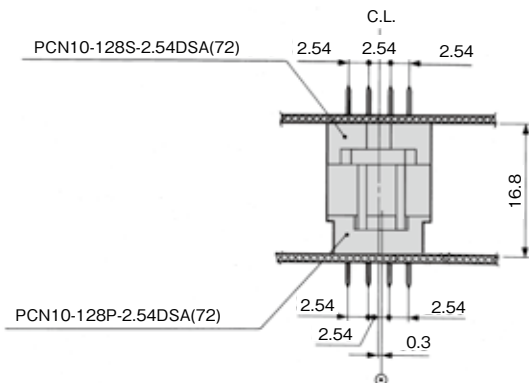
⊙ Mounting Hole Center
C.L. Center Line



● 3-row Type



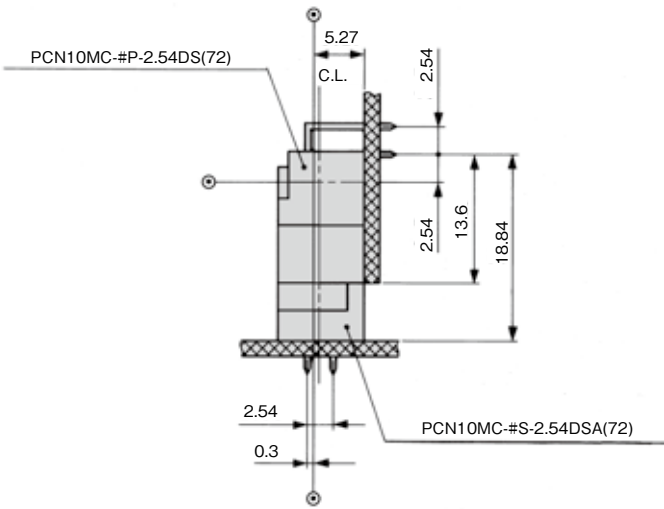
● 4-row Type



● Circuit Protection Type

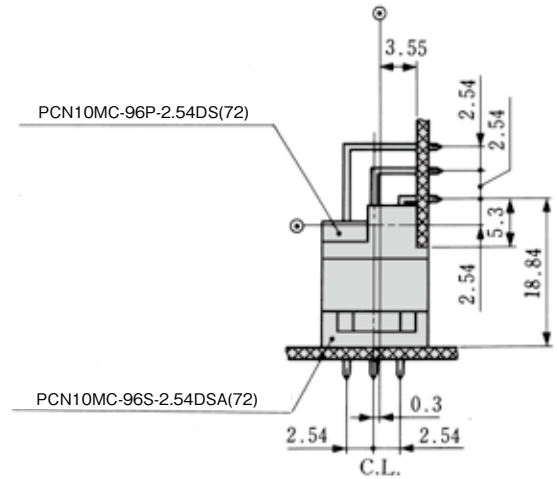
⊙ Mounting Hole Center
C.L. Center Line

● 2-row Type



64pos. : The sequential contacts are indicated at 22 points from contact No.1 to 4 and 26 to 32 in both rows a and b.
100pos. : The sequential contact is indicated at 22 points from contact No.1 to 4 and 44 to 50 in both rows a and b.

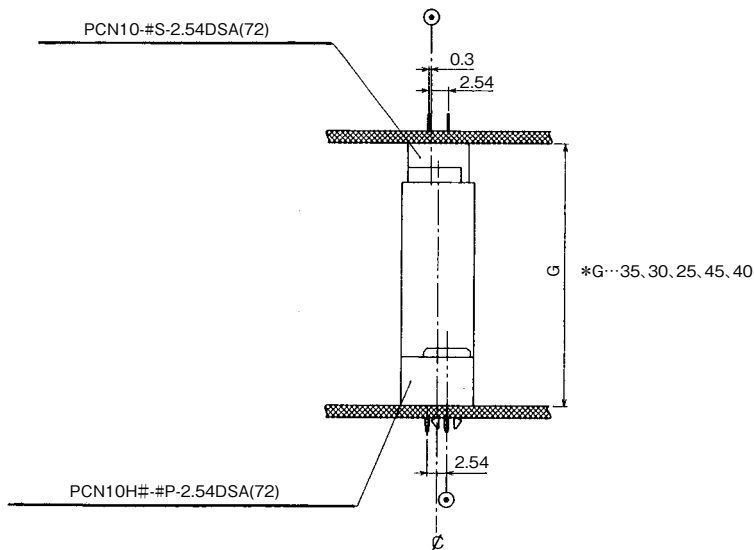
● 3-row Type



The sequential contacts are located at 2 points: a1 and a32.

● Stacking Connector

⊙ Mounting Hole Center
C.L. Center Line

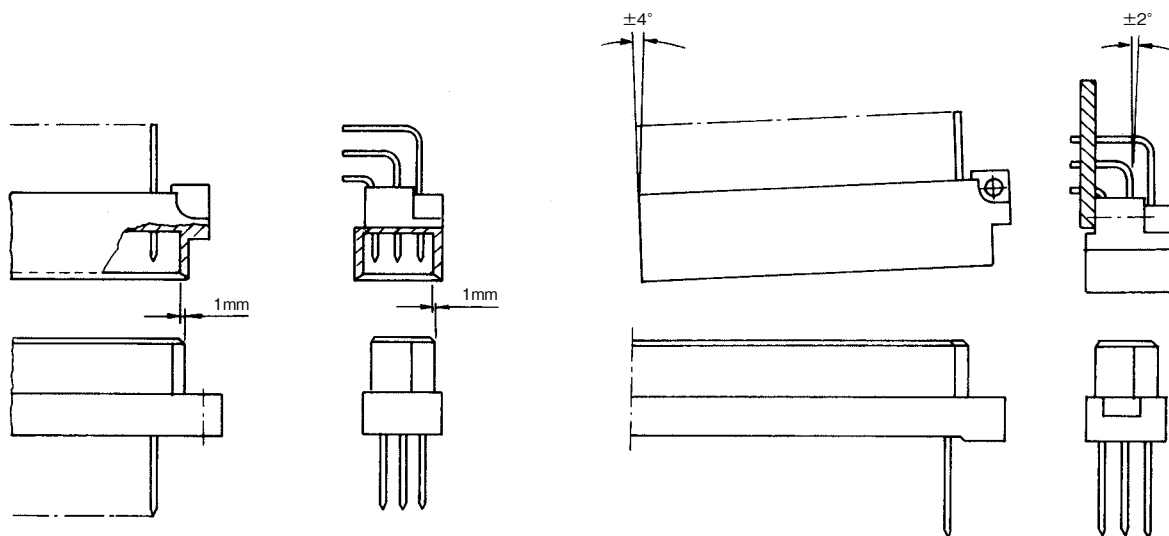


Precautions

●DIN Connector Mating Conditions

Use Hirose DIN connectors within the following range.

The contacts of the PCN10 Series receptacle rattle slightly in order to stabilize the contact installation but this does not represent a performance issue.



While taking in consideration

Specifications mentioned in this catalog are reference values.

When considering to order or use this product, please confirm the " Drawing" and " Product Specifications" sheets. Use an appropriate cable when using the connector in combination with cables.

If considering usage of a non- specified cable, please contact your sales representative.

If assembly process is done by jigs & tools which are not identified by Hirose assurance will not be given.

Please consult with your Hirose sales representative if you are planning to use the product for any of the following applications. (Automotive, medical, public infrastructure, aerospace/ defense, etc.)

Hirose will consider the validity of the warranty depending on the conditions.