

## The RF MOSFET Line: Broadband Power FET 4W, to 500MHz, 28V

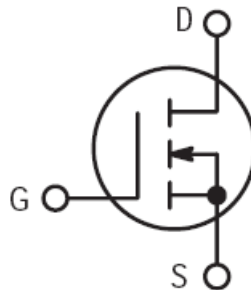
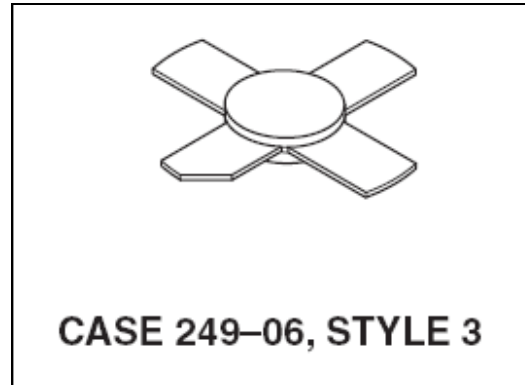
Rev. V1

Designed primarily for wideband large-signal output and driver from 30–500 MHz.

N-Channel enhancement mode MOSFET

- Guaranteed 28 V, 500 MHz performance  
Output power = 4.0 W  
Gain = 16 dB (min.)  
Efficiency = 55% (typ.)
- Excellent thermal stability, ideally suited for Class A operation
- Facilitates manual gain control, ALC and modulation techniques
- 100% Tested for load mismatch at all phase angles with 30:1 VSWR
- Low Crss – 0.8 pF Typical at VDS = 28 V

### Product Image



### MAXIMUM RATINGS (T<sub>J</sub> = 25°C unless otherwise noted)

Rating	Symbol	Value	Unit
Drain–Gate Voltage	V <sub>DSS</sub>	65	Vdc
Drain–Gate Voltage (R <sub>GS</sub> = 1.0 MΩ)	V <sub>DGR</sub>	65	Vdc
Gate–Source Voltage	V <sub>GS</sub>	± 20	Vdc
Drain Current–Continuous	I <sub>D</sub>	1.0	ADC
Total Device Dissipation @ T <sub>C</sub> = 25°C Derate Above 25°C	P <sub>D</sub>	24 0.14	Watts W/°C
Storage Temperature Range	T <sub>stg</sub>	– 65 to +150	°C
Operating Junction Temperature	T <sub>J</sub>	200	°C

### THERMAL CHARACTERISTICS

Thermal Resistance — Junction to Case	R <sub>θJC</sub>	7.2	°C/W
---------------------------------------	------------------	-----	------

**NOTE — CAUTION** — MOS devices are susceptible to damage from electrostatic charge. Reasonable precautions in handling and packaging MOS devices should be observed.

## The RF MOSFET Line: Broadband Power FET 4W, to 500MHz, 28V

Rev. V1

### ELECTRICAL CHARACTERISTICS ( $T_C = 25^\circ\text{C}$ unless otherwise noted)

Characteristic	Symbol	Min	Typ	Max	Unit
----------------	--------	-----	-----	-----	------

#### OFF CHARACTERISTICS

Drain-Source Breakdown Voltage ( $V_{DS} = 0 \text{ Vdc}$ , $V_{GS} = 0 \text{ Vdc}$ , $I_D = 1.0 \text{ mA}$ )	$V_{(BR)DSS}$	65	—	—	Vdc
Zero Gate Voltage Drain Current ( $V_{DS} = 28 \text{ Vdc}$ , $V_{GS} = 0 \text{ V}$ )	$I_{DSS}$	—	—	0.5	mA
Gate-Source Leakage Current ( $V_{GS} = 20 \text{ Vdc}$ , $V_{DS} = 0 \text{ Vdc}$ )	$I_{GSS}$	—	—	1.0	$\mu\text{A}$

#### ON CHARACTERISTICS

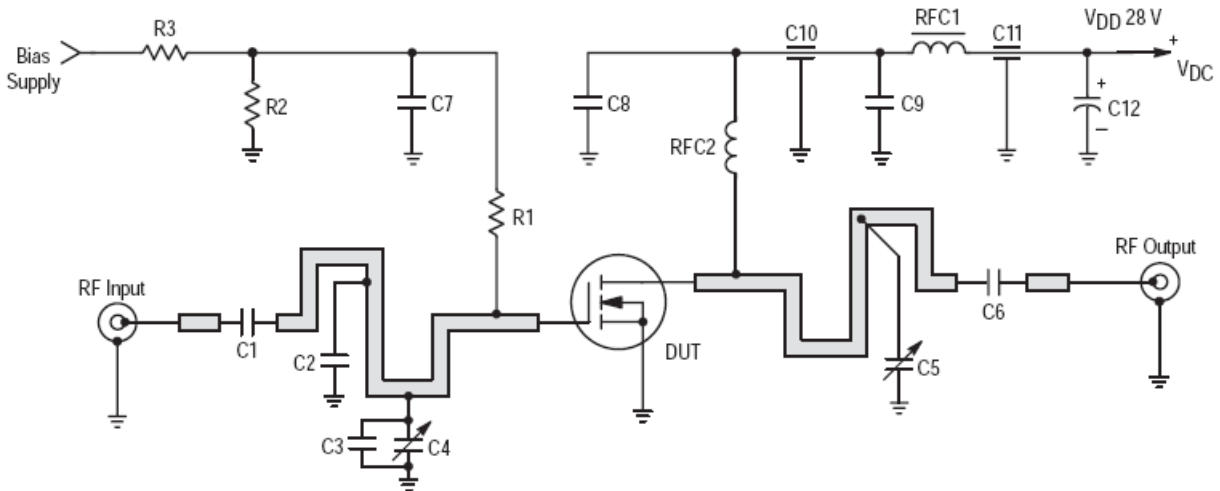
Gate Threshold Voltage ( $V_{DS} = 10 \text{ Vdc}$ , $I_D = 10 \text{ mA}$ )	$V_{GS(th)}$	1.5	3.0	4.5	Vdc
Drain Source On-Voltage ( $V_{DS(on)}$ , $V_{GS} = 10 \text{ Vdc}$ , $I_D = 500 \text{ mA}$ )	$V_{DS(on)}$	—	3.8	—	Vdc
Forward Transconductance ( $V_{DS} = 10 \text{ Vdc}$ , $I_D = 250 \text{ mA}$ )	$g_{fs}$	150	220	—	mS

#### DYNAMIC CHARACTERISTICS

Input Capacitance ( $V_{DS} = 28 \text{ Vdc}$ , $V_{GS} = 0 \text{ V}$ , $f = 1.0 \text{ MHz}$ )	$C_{iss}$	—	6.0	—	pF
Output Capacitance ( $V_{DS} = 28 \text{ V}$ , $V_{GS} = 0 \text{ Vdc}$ , $f = 1.0 \text{ MHz}$ )	$C_{oss}$	—	6.5	—	pF
Reverse Transfer Capacitance ( $V_{DS} = 28 \text{ Vdc}$ , $V_{GS} = 0 \text{ Vdc}$ , $f = 1.0 \text{ MHz}$ )	$C_{rss}$	—	0.8	—	pF

#### FUNCTIONAL CHARACTERISTICS

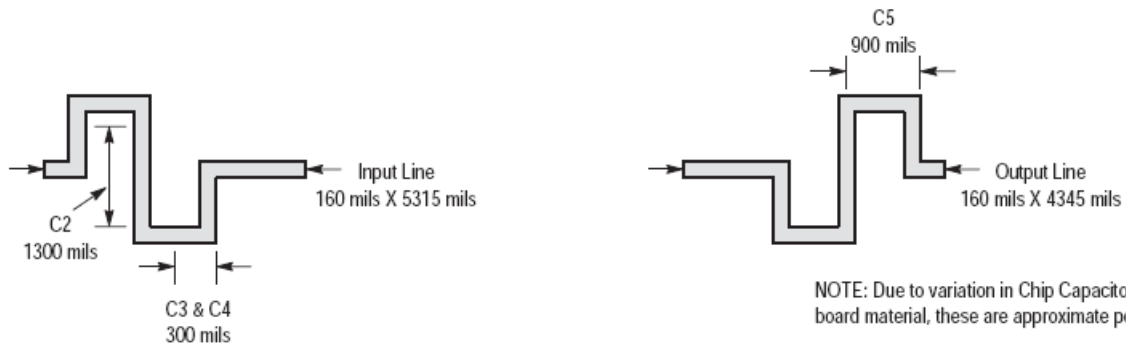
Common Source Power Gain ( $V_{DD} = 28 \text{ Vdc}$ , $P_{out} = 4.0 \text{ W}$ , $f = 500 \text{ MHz}$ , $I_{DQ} = 50 \text{ mA}$ )	$G_{ps}$	16	18	—	dB
Drain Efficiency ( $V_{DD} = 28 \text{ Vdc}$ , $P_{out} = 4.0 \text{ W}$ , $f = 500 \text{ MHz}$ , $I_{DQ} = 50 \text{ mA}$ )	$\eta$	50	55	—	%
Electrical Ruggedness ( $V_{DD} = 28 \text{ Vdc}$ , $P_{out} = 4.0 \text{ W}$ , $f = 500 \text{ MHz}$ , $I_{DQ} = 50 \text{ mA}$ ) Load VSWR = 30:1 at All Phase Angles at Frequency of Test	$\psi$	No Degradation in Output Power			
Series Equivalent Input Impedance ( $V_{DD} = 28 \text{ Vdc}$ , $P_{out} = 4.0 \text{ W}$ , $f = 500 \text{ MHz}$ , $I_{DQ} = 50 \text{ mA}$ )	$Z_{in}$	—	$6.8 - j21$	—	Ohms
Series Equivalent Output Impedance ( $V_{DD} = 28 \text{ Vdc}$ , $P_{out} = 4.0 \text{ W}$ , $f = 500 \text{ MHz}$ , $I_{DQ} = 50 \text{ mA}$ )	$Z_{out}$	—	$21 - j28$	—	Ohms



- C1, C6 240 pF, 100 mil Chip Capacitors
- C2 15 pF, 100 mil ATC Chip Capacitor
- C4, C5 1 – 10 pF, Johanson Trimmer Capacitors
- C3 24 pF, 100 mil ATC Chip Capacitor
- C7, C9 0.1  $\mu$ F, 100 mil Chip Capacitors
- C8 220 pF, 100 mil ATC Chip Capacitor
- C10, C11 680 pF, Feed Through Capacitors
- C12 50  $\mu$ F, 50 V Electrolytic Capacitor

- R1 200  $\Omega$ , 1/2 Watt
- R2 10 k $\Omega$ , 1/2 Watt
- R3 1 k $\Omega$ , 1/2 Watt
- RFC1 Ferroxcube VK200-19/4B
- RFC2 8 Turns, #20 AWG, Enameled, ID 110 mils

Board Material — 0.062", Teflon<sup>®</sup> Fiberglass, 1 oz.,  
Copper clad both sides,  $\epsilon_r = 2.55$



NOTE: Due to variation in Chip Capacitor values and board material, these are approximate positions.

Figure 1. MRF160 500 MHz Test Circuit

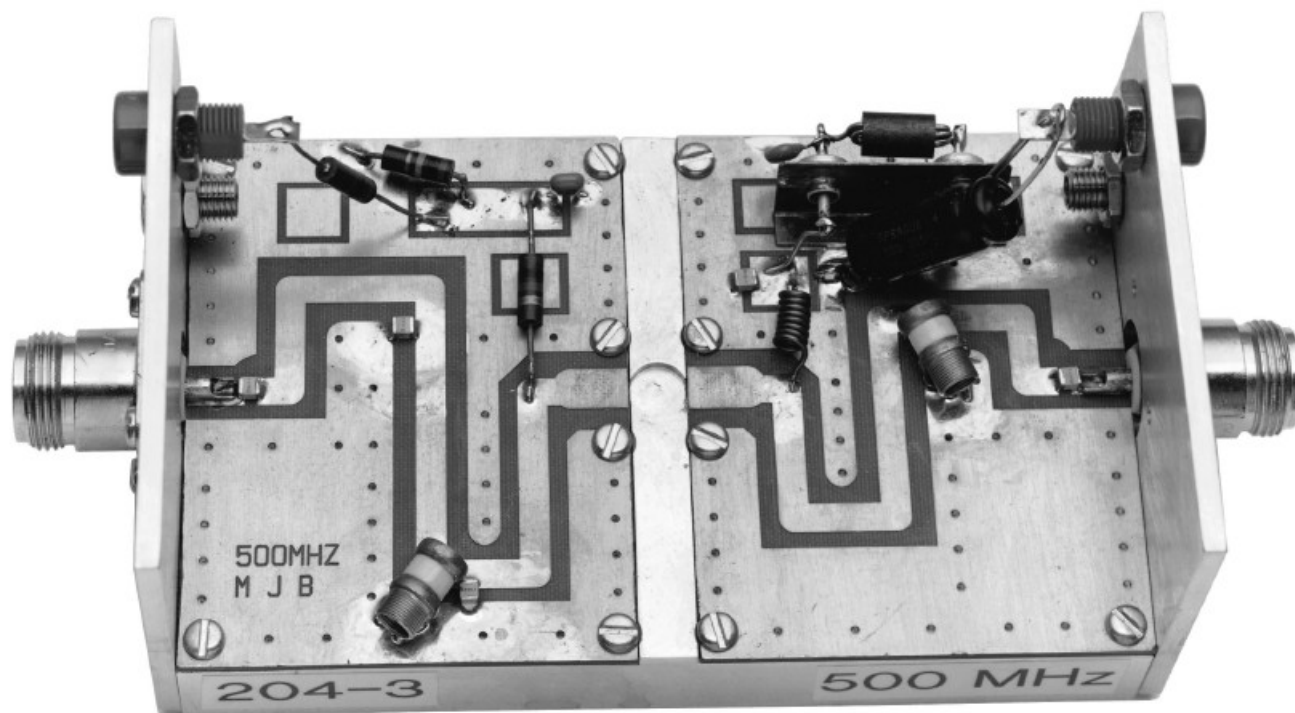


Figure 2. MRF160 Broadband Test Fixture

## TYPICAL CHARACTERISTICS

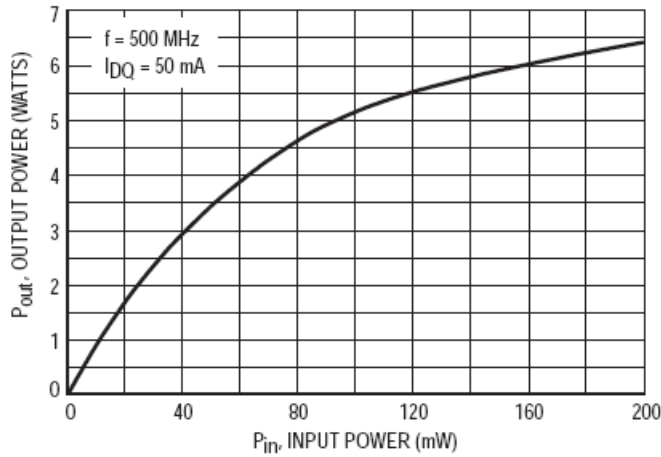


Figure 3. Output Power versus Input Power

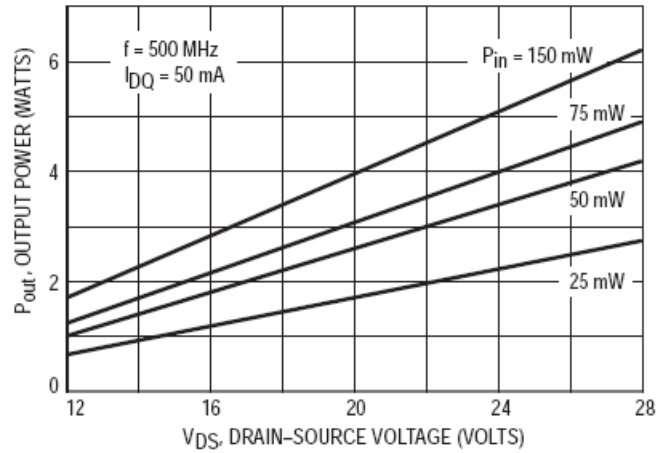


Figure 4. Output Power versus Voltage

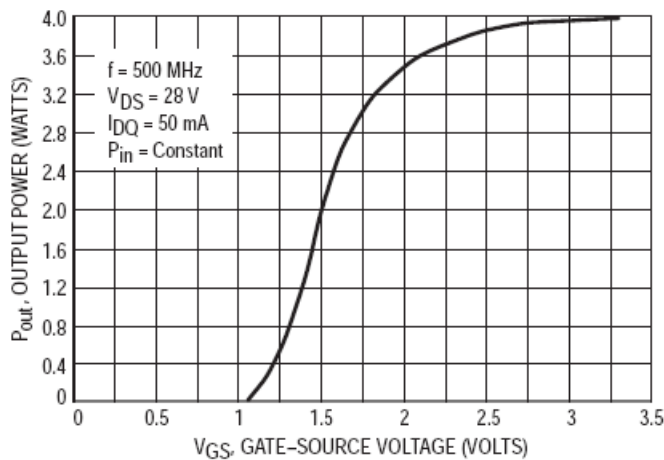


Figure 5. Output Power versus Gate Voltage

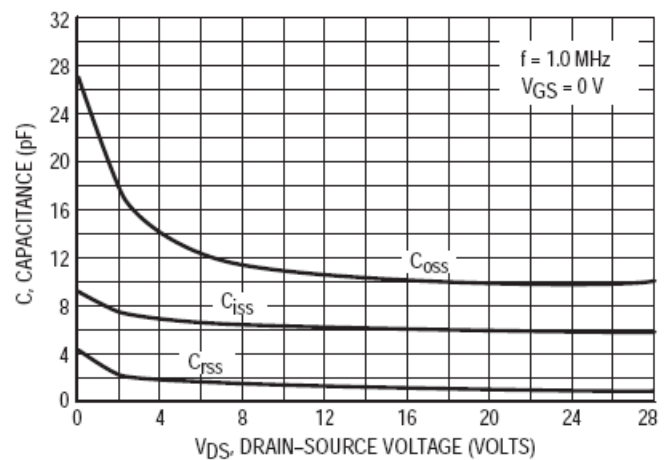


Figure 6. Capacitance versus Drain-Source Voltage

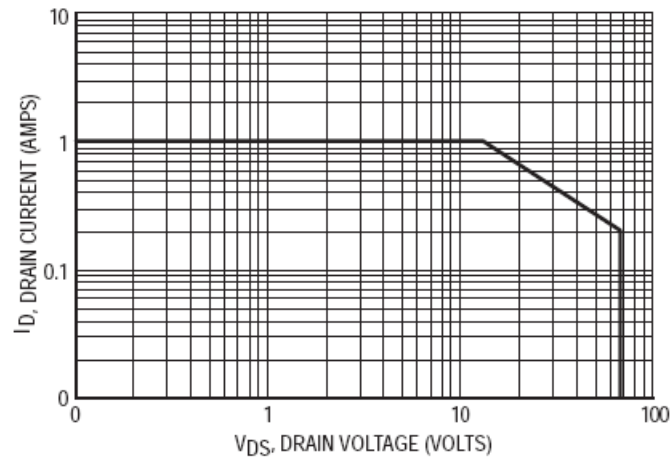


Figure 7. DC Safe Operating Area

## The RF MOSFET Line: Broadband Power FET 4W, to 500MHz, 28V

Rev. V1

Table 1. Common Source S-Parameters ( $V_{DS} = 12.5\text{ V}$ ,  $I_D = 120\text{ mA}$ )

f MHz	S <sub>11</sub>		S <sub>21</sub>		S <sub>12</sub>		S <sub>22</sub>	
	S <sub>11</sub>	∠	S <sub>21</sub>	∠	S <sub>12</sub>	∠	S <sub>22</sub>	∠
30	0.991	-19	15.80	166	0.019	77	0.938	-19
40	0.970	-25	15.50	161	0.025	72	0.933	-25
50	0.959	-31	15.20	156	0.030	67	0.918	-31
60	0.943	-37	14.80	151	0.035	63	0.900	-37
70	0.925	-42	14.30	147	0.040	59	0.880	-42
80	0.912	-48	13.90	143	0.044	56	0.863	-47
85	0.903	-51	13.70	141	0.046	54	0.857	-49
90	0.896	-53	13.50	139	0.048	52	0.851	-52
100	0.872	-58	12.90	135	0.051	48	0.830	-57
110	0.853	-63	12.40	131	0.054	46	0.812	-60
120	0.841	-67	11.90	128	0.056	43	0.796	-63
130	0.831	-71	11.50	126	0.059	40	0.788	-67
140	0.814	-75	11.10	122	0.061	37	0.777	-70
150	0.797	-79	10.70	119	0.063	34	0.760	-74
160	0.782	-82	10.20	117	0.064	32	0.739	-78
170	0.776	-85	9.81	115	0.066	32	0.740	-79
180	0.769	-89	9.55	112	0.068	28	0.737	-83
190	0.754	-92	9.24	109	0.069	25	0.725	-87
200	0.737	-94	8.83	107	0.068	23	0.707	-90
210	0.731	-96	8.47	105	0.068	22	0.692	-92
220	0.730	-99	8.20	103	0.069	21	0.692	-94
230	0.724	-101	7.94	101	0.071	20	0.697	-95
240	0.713	-104	7.69	99	0.072	16	0.696	-99
250	0.705	-106	7.44	97	0.070	15	0.676	-100
260	0.699	-108	7.18	96	0.070	15	0.673	-102
270	0.697	-109	6.91	94	0.070	14	0.661	-103
280	0.697	-111	6.70	93	0.071	13	0.654	-104
290	0.693	-113	6.54	92	0.071	11	0.658	-106
300	0.686	-115	6.36	90	0.072	9	0.664	-108
310	0.679	-116	6.12	88	0.069	7	0.639	-111
320	0.679	-117	5.96	87	0.070	9	0.642	-110
330	0.679	-119	5.80	86	0.070	8	0.648	-112
340	0.679	-121	5.63	84	0.071	7	0.648	-114
350	0.674	-122	5.47	83	0.070	5	0.645	-114
360	0.669	-123	5.33	82	0.070	4	0.650	-116
370	0.667	-124	5.18	80	0.068	3	0.644	-118
380	0.672	-125	5.02	80	0.066	3	0.614	-119
390	0.675	-127	4.96	78	0.071	4	0.655	-116
400	0.672	-129	4.83	77	0.070	2	0.655	-119
410	0.668	-130	4.70	75	0.069	0	0.654	-121
420	0.666	-131	4.56	74	0.067	-1	0.644	-122
430	0.667	-131	4.48	74	0.066	-1	0.646	-122

**The RF MOSFET Line: Broadband Power FET  
4W, to 500MHz, 28V**

Rev. V1

**Table 1. Common Source S-Parameters ( $V_{DS} = 12.5\text{ V}$ ,  $I_D = 120\text{ mA}$ ) (continued)**

f MHz	S <sub>11</sub>		S <sub>21</sub>		S <sub>12</sub>		S <sub>22</sub>	
	S <sub>11</sub>	∠	S <sub>21</sub>	∠	S <sub>12</sub>	∠	S <sub>22</sub>	∠
440	0.671	-132	4.39	72	0.066	-1	0.651	-123
450	0.670	-134	4.29	71	0.068	-1	0.663	-123
460	0.662	-135	4.15	70	0.067	-6	0.677	-127
470	0.663	-135	4.05	69	0.065	-5	0.664	-127
480	0.666	-136	3.95	68	0.064	-5	0.663	-128
490	0.670	-137	3.88	67	0.064	-5	0.663	-128
500	0.670	-138	3.81	66	0.063	-6	0.670	-128
600	0.693	-147	3.06	55	0.053	-17	0.689	-136
700	0.708	-152	2.61	46	0.044	-14	0.723	-142
800	0.731	-158	2.22	40	0.037	-15	0.733	-146
900	0.724	-165	1.93	32	0.037	-32	0.760	-151
1000	0.748	-169	1.73	28	0.027	-6	0.778	-153



## The RF MOSFET Line: Broadband Power FET 4W, to 500MHz, 28V

Rev. V1

Table 2. Common Source S-Parameters ( $V_{DS} = 28\text{ V}$ ,  $I_D = 250\text{ mA}$ )

f MHz	S <sub>11</sub>		S <sub>21</sub>		S <sub>12</sub>		S <sub>22</sub>	
	S <sub>11</sub>	∠	S <sub>21</sub>	∠	S <sub>12</sub>	∠	S <sub>22</sub>	∠
30	0.995	-18	15.00	167	0.014	78	0.919	-15
40	0.978	-24	14.70	162	0.018	73	0.913	-19
50	0.971	-30	14.50	158	0.022	69	0.900	-23
60	0.961	-36	14.20	153	0.026	65	0.885	-28
70	0.947	-41	13.80	149	0.029	62	0.867	-32
80	0.938	-46	13.40	145	0.033	58	0.851	-35
85	0.932	-49	13.30	143	0.034	56	0.845	-37
90	0.927	-51	13.10	141	0.036	55	0.839	-39
100	0.908	-56	12.70	138	0.038	51	0.825	-43
110	0.893	-61	12.20	134	0.040	49	0.802	-46
120	0.884	-65	11.80	131	0.043	46	0.788	-48
130	0.875	-69	11.40	128	0.045	44	0.781	-51
140	0.862	-74	11.10	125	0.047	40	0.772	-54
150	0.848	-78	10.70	122	0.048	37	0.754	-57
160	0.836	-81	10.30	119	0.049	35	0.733	-60
170	0.830	-84	9.86	117	0.050	35	0.718	-60
180	0.824	-88	9.64	115	0.053	31	0.729	-64
190	0.813	-91	9.38	112	0.053	29	0.719	-67
200	0.798	-94	9.00	109	0.053	26	0.701	-70
210	0.792	-96	8.63	107	0.053	25	0.682	-72
220	0.790	-98	8.36	105	0.054	24	0.677	-73
230	0.785	-101	8.10	104	0.055	22	0.677	-75
240	0.777	-104	7.92	101	0.057	19	0.694	-78
250	0.769	-106	7.65	99	0.055	18	0.663	-80
260	0.764	-108	7.40	97	0.055	18	0.662	-81
270	0.761	-109	7.13	96	0.055	17	0.649	-82
280	0.760	-111	6.91	95	0.055	16	0.640	-82

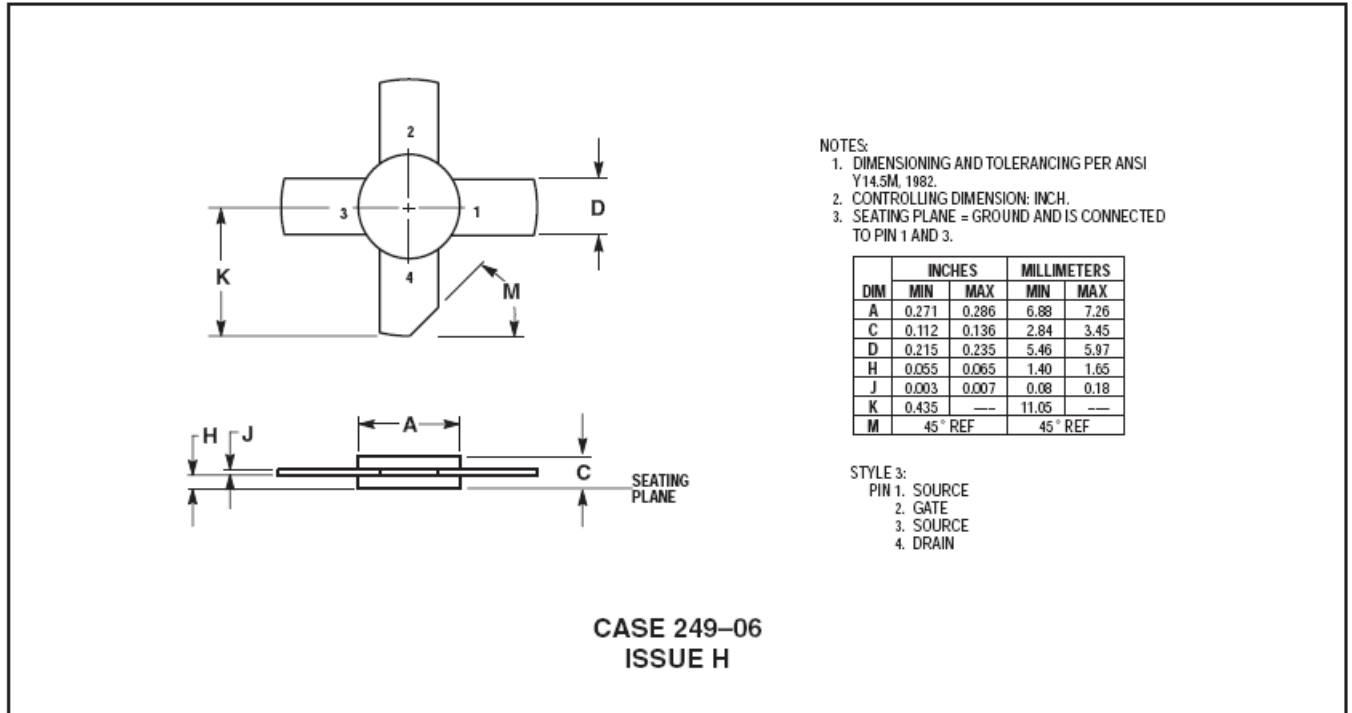
## The RF MOSFET Line: Broadband Power FET 4W, to 500MHz, 28V

Rev. V1

Table 2. Common Source S-Parameters ( $V_{DS} = 28\text{ V}$ ,  $I_D = 250\text{ mA}$ ) (continued)

f MHz	S <sub>11</sub>		S <sub>21</sub>		S <sub>12</sub>		S <sub>22</sub>	
	S <sub>11</sub>	∠	S <sub>21</sub>	∠	S <sub>12</sub>	∠	S <sub>22</sub>	∠
290	0.757	-113	6.75	93	0.055	14	0.641	-84
300	0.751	-115	6.59	91	0.056	12	0.645	-86
310	0.743	-117	6.37	89	0.055	9	0.635	-90
320	0.744	-118	6.17	88	0.054	11	0.619	-89
330	0.744	-120	6.01	87	0.055	11	0.628	-90
340	0.743	-121	5.85	85	0.055	10	0.629	-92
350	0.738	-123	5.70	84	0.055	8	0.629	-92
360	0.733	-124	5.55	82	0.054	6	0.631	-94
370	0.730	-126	5.40	81	0.054	4	0.623	-96
380	0.732	-127	5.21	80	0.052	4	0.593	-98
390	0.737	-129	5.17	79	0.055	7	0.627	-93
400	0.734	-130	5.04	77	0.055	4	0.639	-97
410	0.731	-131	4.92	76	0.054	3	0.641	-99
420	0.728	-132	4.78	75	0.052	1	0.630	-100
430	0.729	-133	4.67	74	0.051	0	0.628	-101
440	0.731	-134	4.57	72	0.051	1	0.626	-102
450	0.731	-136	4.47	71	0.053	1	0.630	-102
460	0.723	-137	4.37	69	0.054	-4	0.673	-106
470	0.724	-137	4.24	68	0.050	-3	0.647	-107
480	0.727	-138	4.13	68	0.049	-3	0.642	-108
490	0.730	-139	4.05	67	0.048	-3	0.641	-107
500	0.730	-140	3.99	66	0.048	-4	0.647	-108
600	0.736	-150	3.54	56	0.037	-14	0.657	-118
700	0.745	-156	2.99	46	0.029	-9	0.699	-126
800	0.765	-161	2.54	39	0.025	-5	0.713	-131
900	0.759	-168	2.20	31	0.022	-34	0.742	-136
1000	0.769	-173	1.98	27	0.018	19	0.756	-139

## PACKAGE DIMENSIONS



M/A-COM Technology Solutions Inc. All rights reserved.

Information in this document is provided in connection with M/A-COM Technology Solutions Inc ("MACOM") products. These materials are provided by MACOM as a service to its customers and may be used for informational purposes only. Except as provided in MACOM's Terms and Conditions of Sale for such products or in any separate agreement related to this document, MACOM assumes no liability whatsoever. MACOM assumes no responsibility for errors or omissions in these materials. MACOM may make changes to specifications and product descriptions at any time, without notice. MACOM makes no commitment to update the information and shall have no responsibility whatsoever for conflicts or incompatibilities arising from future changes to its specifications and product descriptions. No license, express or implied, by estoppel or otherwise, to any intellectual property rights is granted by this document.

THESE MATERIALS ARE PROVIDED "AS IS" WITHOUT WARRANTY OF ANY KIND, EITHER EXPRESS OR IMPLIED, RELATING TO SALE AND/OR USE OF MACOM PRODUCTS INCLUDING LIABILITY OR WARRANTIES RELATING TO FITNESS FOR A PARTICULAR PURPOSE, CONSEQUENTIAL OR INCIDENTAL DAMAGES, MERCHANTABILITY, OR INFRINGEMENT OF ANY PATENT, COPYRIGHT OR OTHER INTELLECTUAL PROPERTY RIGHT. MACOM FURTHER DOES NOT WARRANT THE ACCURACY OR COMPLETENESS OF THE INFORMATION, TEXT, GRAPHICS OR OTHER ITEMS CONTAINED WITHIN THESE MATERIALS. MACOM SHALL NOT BE LIABLE FOR ANY SPECIAL, INDIRECT, INCIDENTAL, OR CONSEQUENTIAL DAMAGES, INCLUDING WITHOUT LIMITATION, LOST REVENUES OR LOST PROFITS, WHICH MAY RESULT FROM THE USE OF THESE MATERIALS.

MACOM products are not intended for use in medical, lifesaving or life sustaining applications. MACOM customers using or selling MACOM products for use in such applications do so at their own risk and agree to fully indemnify MACOM for any damages resulting from such improper use or sale.