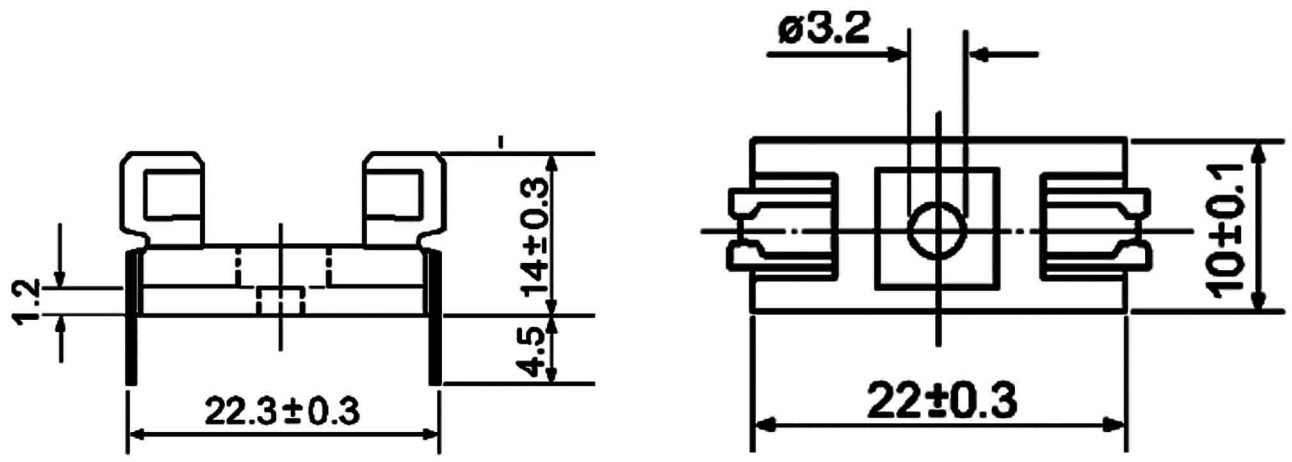


**RoHS
Compliant
Drawing For
Reference Only**



★ SPECIFICATIONS :

STRUCTURE:

Holder: high temperature resisting
flame-retarded plastic cover pc

Clip pole: silver-plating brass

★ ELECTRONIC CHARACTER:

Rating current: 15A

Rating voltage: 250/500V AC

Technical requirement :

1. This product should meet EU RoHS related requirement.
2. The surface of plastic part should be without any crackle such as burr, lack, and so on phenomenon.
3. The surface of metal part should be without any defect such as scour, nick, oxidation and plating problem.
4. The electronic performance should be the same as spec.

DCI DRAGON CITY INDUSTRIES LIMITED

| | | | | | | | | |
|---|-----------------------------|-------------|----------|-----------|--------|--|-------------|------------|
| DCI DRAGON CITY INDUSTRIES LIMITED | | | Design | K.W Law | Remark | | Scale | |
| | | | Drawing | W.K Yeung | Remark | | Material | |
| Item Name | FUSE HOLDER FOR 5X20MM FUSE | Tolerance : | Check | K.L Wong | Remark | | Drawing No. | B305161446 |
| Item No. | FH-102C-HZ | Unit : mm | Approval | K.W Chan | Remark | | Sheet | |