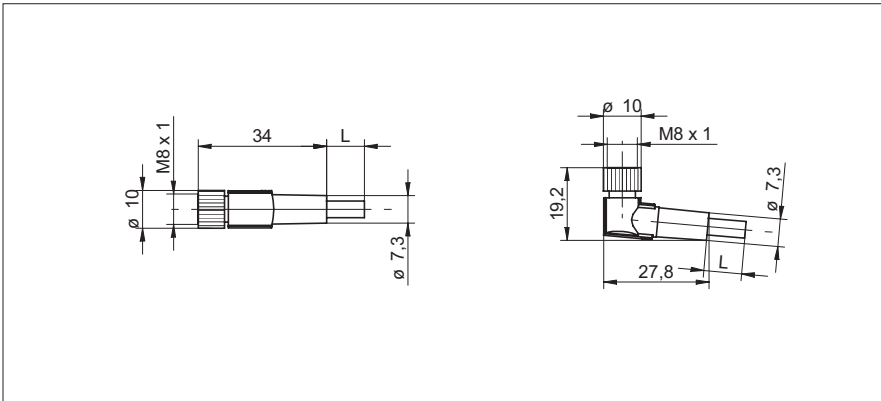


# Connector M8 x 1 with attached PUR-cable

## dimension drawing



- 4-wire
- PUR halogen-free
- suitable for flexible cable carriers
- self-locking cap nut
- UL listing file No. E315836

### General data

Nominal current $I_N$	4 A
Nominal voltage $U_N$	30 V
Number of positions	4
Volume resistance	$\leq 5 \text{ m}\Omega$
Insulation resistance	$\geq 100 \text{ M}\Omega$
Length of cable	see listing
Stripping length of the free conductor end	50 mm
Ambient temperature (operation)	-25 ... 90 °C

### General characteristics

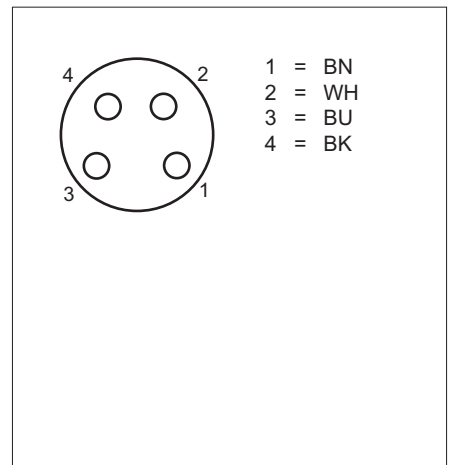
Coding	A-standard
Surge voltage category	II
Pollution degree	3
Degree of protection	IP65/IP67/IP68
Contact material	CuSn
Contact surface material	Ni/Au
Contact carrier material	TPU GF
Material of grip body	TPU, hardly inflammable, self-extinguishing
Material, knurls	Zinc die-cast, (nickel-plated)
Sealing material	NBR
Status display	no

### Conductor data

Cable type	PUR halogen-free black
Cable abbreviation	Lj9Y11Y-HF
Conductor cross section	4x0,25 mm <sup>2</sup>
AWG signal line	24
Conductor structure, signal line	32x0,10 mm
Core diameter including insulation	1,17 mm $\pm$ 0,02 mm
Thickness, insulation	ca. 0,21 mm (Core insulation)
	ca. 0,7 mm (Outer cable sheath)
External cable diameter	3,95 mm $\pm$ 0,15 mm
Wire colors	Brown, white, blue, black
External sheath, color	Black-gray RAL 7021

type	Mat.-No.	length
<b>straight connectors</b>		
ESG 32AH0100	10150325	1 m
ESG 32AH0200	10127800	2 m
ESG 32AH0300	10149633	3 m
ESG 32AH0500	10127801	5 m
ESG 32AH1000	10127802	10 m
ESG 32AH1500	10150327	15 m
ESG 32AH2000	10150329	20 m
<b>angular connectors</b>		
ESW 31AH0200	10133827	2 m
ESW 31AH0500	10132816	5 m
ESW 31AH1000	10132435	10 m
other lengths on request		

### pin assignment



## Connector M8 x 1 with attached PUR-cable

<b>Conductor data (cont.)</b>	
Conductor resistance	≤ 78 Ω/km
Nominal voltage, conductor	300 V
Test voltage, conductor	3000 V
Overall twist	4 wires, twisted
Outer sheath, material	PUR
Material conductor insulation	PP
Conductor material	Bare Cu litz wires
Cable weight	23 kg/km
Smallest bending radius, movable installation	40 mm
Number of bending cycles	10'000'000
Bending radius	44 mm
Traversing path	10 m
Traversing rate	3 m/s
Acceleration	5 m/s <sup>2</sup>
Ambient temperature (operation)	-40 ... 80 °C (cable, fixed installation)
	-5 ... 80 °C (cable, flexible installation)
Special properties	Flexible cable conduit capable
	Silicone-free
	Free of substances which would hinder coating with paint or varnish
Flame resistance	As per UL 758/1581 FT2 As per DIN EN 50332-2-2 (20s)
Halogen-free	As per DIN VDE 0472 part 815
Resistance to oil	complying with DIN EN 60811-2-1
Other resistance	Highly resistant to acids, alkaline solutions and solvents
	hydrolysis and microbe resistant