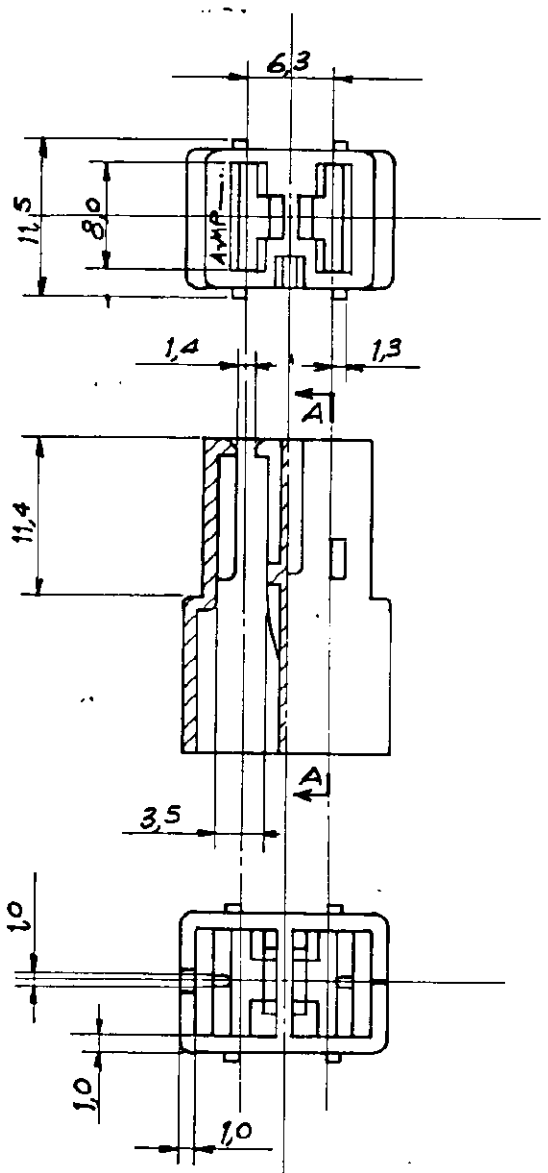


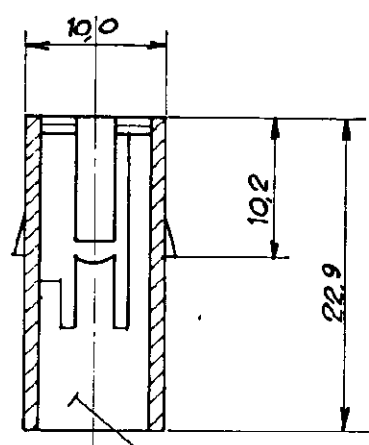
NUMBER
C-180923

NOTES:

- ① RESTRICTED FOR AMP GERMANY
- ② AMP SPAIN PRODUCTION ONLY.
- ③ NO MORE AVAILABLE FROM AMP ITALY



SECT. A-A



TYPICAL CAVITIES FOR
AMP FASTIN-FASTON
REC. TERMINAL .250"
SERIES (6.35 mm)

NOTE	COLORE	MATERIALE	P/N
② ③	NATURAL	PA 6.6 UNIFIL UL 34 V-O	4-180923-0
①	NATURAL	ZYTEL E103 MS1C	2-180923-0
-	ORANGE	Polyamide 6.6	180923-9
-	VIOLET		180923-8
-	BROWN		180923-6
-	BLACK		180923-5
-	YELLOW		180923-4
-	BLUE		180923-3
-	GREEN		180923-2
-	RED		180923-1
-	NATURAL		180923-0

DIMENSIONS IN MM. DO NOT SCALE PRINT - AMERICAN PROTECTION -

P	Added PIN 4-180923-0 (0234-95)	M.P.	5-10 '95
N	REVISED PER ECNT-2332	la	13-JUNE 88
M	Revised	EB	9-9 '83
L	ADDED DASH 9		28/9/78
H	ADDED DASH 6		30/6/78
G	REVISED & REDRAWN		21-9 '77
LTR	REVISION RECORD	DR	CHK
BY	DATE	DE	
CHR	DATE	APP	

© 1977 BY AMP INCORPORATED. ALL RIGHTS RESERVED. AMP PRODUCTS COVERED BY PATENTS AND OR PATENTS PENDING.

CUSTOMER COPY
REFERENCE ONLY

MATERIAL AND FINISH	SEE TABLE
WIRE RANGE	INSULATION
TYPE	



AMP ITALIA
VIA CERV 18
COLLEGNO (TORINO)

TOLERANCE EXCEPT AS NOTED	SCALE	LOC	NO	REV
±0.2 ±1.0	2:1	I	A	P
NAME	2 WAY FASTIN-FASTON REC. HOUSING			

PRINT DIST