



Precision Devices, Inc.

8840 N. Greenview Dr.
Middleton, WI 53562
Phone: 608-831-4445
1-800-274-XTAL
Fax: 608-831-3343



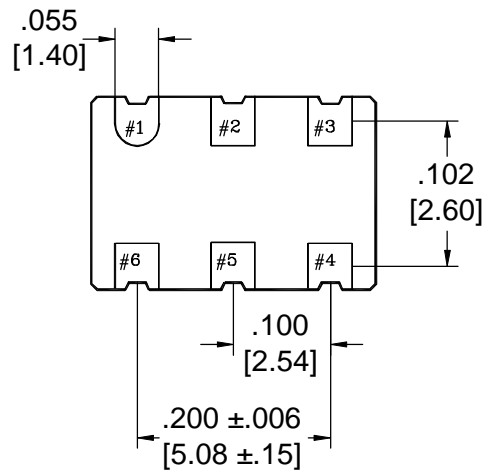
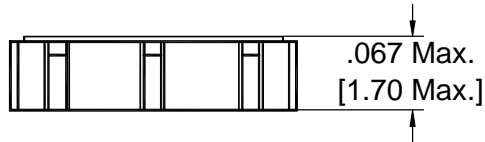
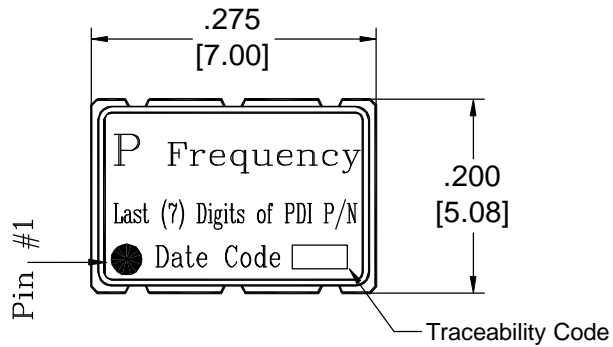
Visit our web site at www.pdixtal.com

Sales Information sales@pdixtal.com

Electrical Specifications

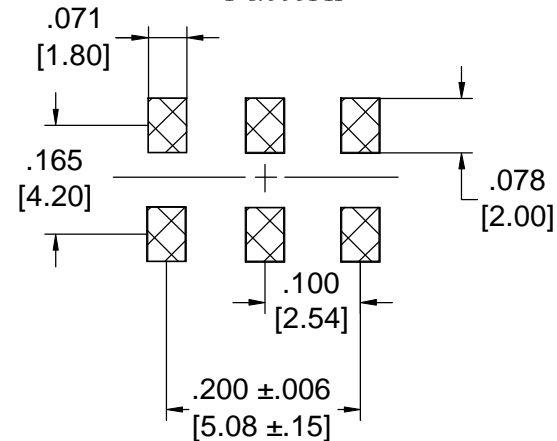
1. Center Frequency: 19.440000MHz
2. Frequency Stability: ±20ppm
3. Pull Range: ±50ppm
4. Voltage: +3.3V
5. Output Level: CMOS
6. Duty Cycle: 40/60% Max.
7. RMS Jitter: 1ps Max.
8. Operating Temperature Range: -40°C to +85°C

REV.	DATE	PAGE	DESCRIPTION	Auth.	ECN	Originator	Date	Engineering	Date
						J.R.B.	8/30/04	D.T.	8/30/04
						TITLE Ceramic SMD VCXO		FKA 17619	
						PART NUMBER VC0719440XSDDXX			
						DATE 8/30/04	SCALE N.T.S.	ECN. N/A	REV. N/A
						SIZE A	CAGE OS4G1		Page 1 of 2



PIN	CONNECTION
1	Voltage Control
2	Tri-State
3	Ground
4	Output
5	N/C
6	+Supply

Recommended Land Pattern



Precision Devices Inc.

8840 N. Greenview Dr.
Middleton WI 53562
608-831-4445
1-800-274-XTAL



Manufacturer of Quartz Crystal Products

DECIMAL XX \pm .020 XXX \pm .008	DWG FILE 17619	PART NUMBER VC0719440XSSDXX	
METRIC XX \pm .50 XXX \pm .20	SCALE N.T.S.	FREQUENCY 19.440000MHz	DRAWN BY J. Bender
ANGULAR XX \pm 2°	REV. LEVEL N/A	ECN NO. N/A	DATE 8/30/04
		CAGE CODE OS4G1	Page 2 of 2