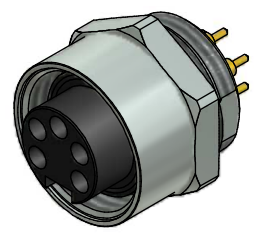
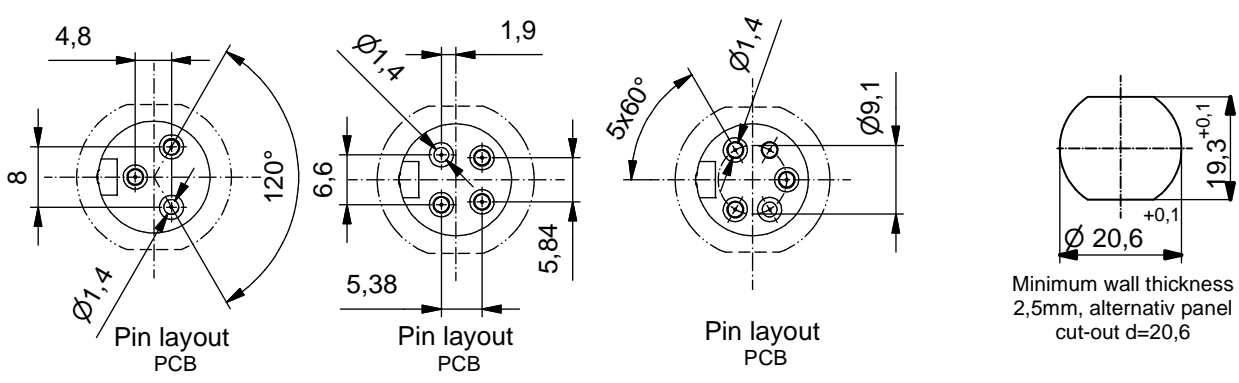
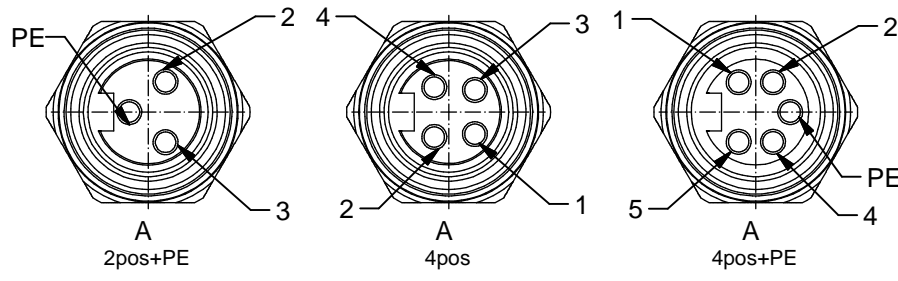


Technical specification:

Rated voltage: IEC 60664-1	300 V
Overvoltage category: IEC 60664-1	2
Overvoltage: IEC 60664-1	2,7 kV
Current rating: IEC 60512-3 at 40°C	12 A
Insulation resistance: IEC 60512	>=100 MΩ
Pollution degree: IEC 60664-1	3/2
Degree of protection: IEC 60529	IP 67, in mated condition
Temperature range: IEC 60664-1	-30°C ... +75°C
Mating cycles: IEC 60512-9a	>=100

Materials:

Contact:	CuZn
Contact plating:	Nickel, gold plated
Contact carrier:	TPU, UL 94
Sealing:	FPM
Socket housing:	CuZn, nickel plated
Grouting:	Polyurethane-resin, UL 94



Part no:	Description:	Pos	L
41-40021	SAL - 7/8 - FK2PE - P10	3	10mm
41-40022	SAL - 7/8 - FK4 - P10	4	10mm
41-40023	SAL - 7/8 - FK4PE - P10	5	10mm

DO NOT ALTER CAD DRAWING BY HAND Directive 2002/95/EC RoHS compliant	Index: d 18.10.11 fro Ä4130 Temperatur changed	dim. in mm	title: Female socket 7/8" with dip solder, frontmounting
		date name	
		drawn 04.12.08 Fromm	dwg no: 41K1A383
		appd. 04.12.08 W.Schmidt	
	general tolerance: 0 ± 0,50mm 0,0 ± 0,25mm 0,00 ± 0,10mm	CONEC ®	part no:
THIS DRAWING MAY NOT BE COPIED OR REPRODUCED IN ANY WAY, AND MAY NOT BE PASSED ON TO A THIRD PARTY WITHOUT WRITTEN PERMISSION. OWNERSHIP AND COPYRIGHT OF CONEC GmbH			

Mouser Electronics

Authorized Distributor

Click to View Pricing, Inventory, Delivery & Lifecycle Information:

[Amphenol:](#)

[41-40021](#) [41-40022](#) [41-40023](#)