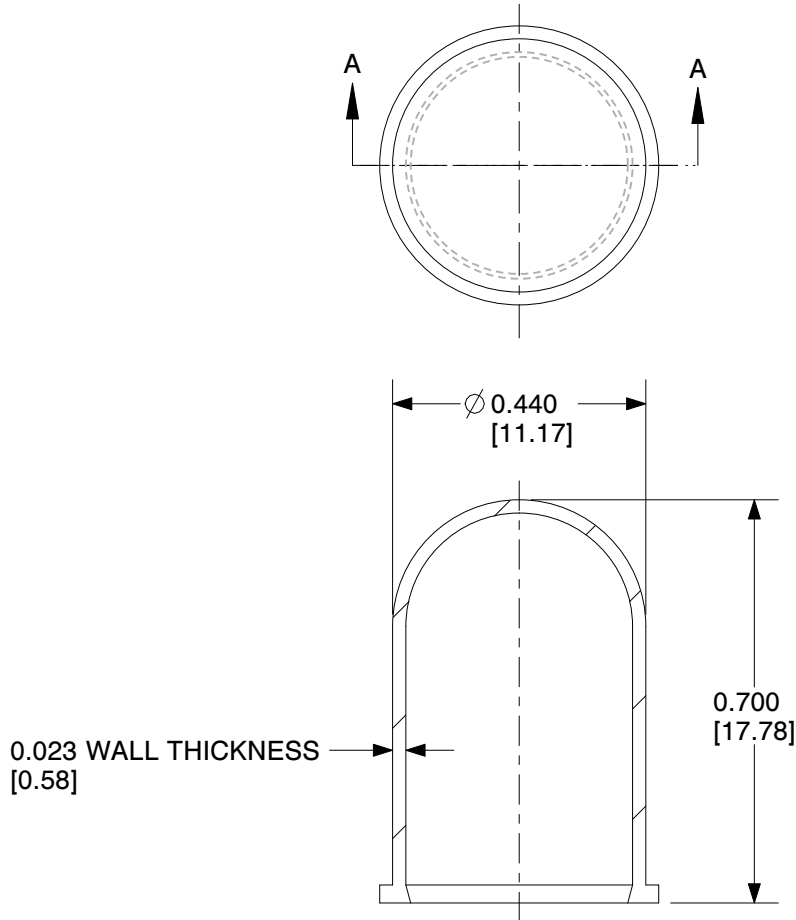


SPECIFICATIONS


Elastomer: Silicone conforms to A-A-59588, Class 3A, GR50. Color to be specified.
Temperature Range: -103° F to +400° F (-75° C to +204° C)
Shelf Life: Excess of 25 years.
Resistant to: Splash, salt spray, sunlight, ozone, weather, fungus, dust, and most acids and lubricating oils.
Physical Characteristics: Flexible, non-breakable, re-usable. Acts as shock mount. Protects against shattering.



SECTION A-A

NOTES:

1. REACH, RoHS, PROP 65 DECLARATIONS.

D	ECO-22-0004: CHANGED DIM ϕ 7/16" TO ϕ .440, CHANGED DIM 11/16" TO .700". UPDATE MATERIAL SPECIFICATIONS, DRAWING FORMAT, AND ADDED DRAWING NOTES. DWN: DAN LAW CHKD: LP 02/09/22	02.03.22
C	REDRAWN and MAT'L CHANGED	S. GOK 05.28.09
B	CAD COMPUTER GENERATED	01.10.03
A	ADDED 15° - 11/16 WAS 5/8	01.06.64
REV.	DESCRIPTION	DATE
TOLERANCES UNLESS OTHERWISE NOTED .X \pm 0.1 .XXX \pm 0.005 .XX \pm 0.01 \angle \pm 1.0° FOR RUBBER PORTION ONLY: RMA "A3" COMMERCIAL DIMENSIONS ARE IN INCHES	TITLE: SILIKROME®, FILTER, COLORED, FOR INCANDESCENT T-1 3/4 LAMPS 	ENG. S .GOK 05.28.09
		DWN. ED 01.22.63
		CHKD. J. CELLA 05.28.09
MATERIAL & FINISH: SEE SPECIFICATIONS	SCALE 3.000 DWG. NO. 1813/8	

THIS DRAWING IS THE PROPERTY OF APM HEXSEAL CORPORATION AND INCLUDES PROPRIETARY INFORMATION. THIS DRAWING IS NOT TO BE COPIED OR USED WITHOUT THE WRITTEN APPROVAL OF AN OFFICER OF APM HEXSEAL CORPORATION.

Mouser Electronics

Authorized Distributor

Click to View Pricing, Inventory, Delivery & Lifecycle Information:

[APM HEXSEAL:](#)

[1813/8 R14-13](#)