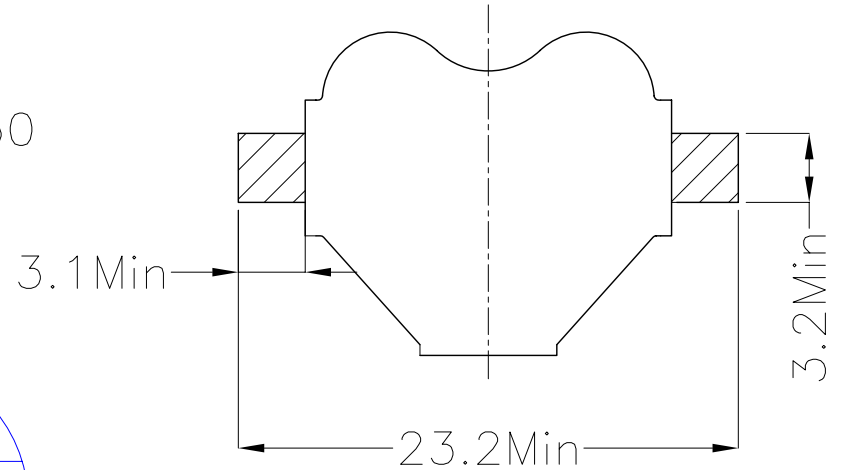
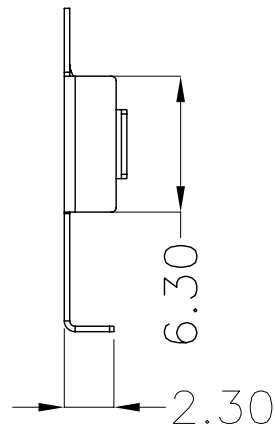
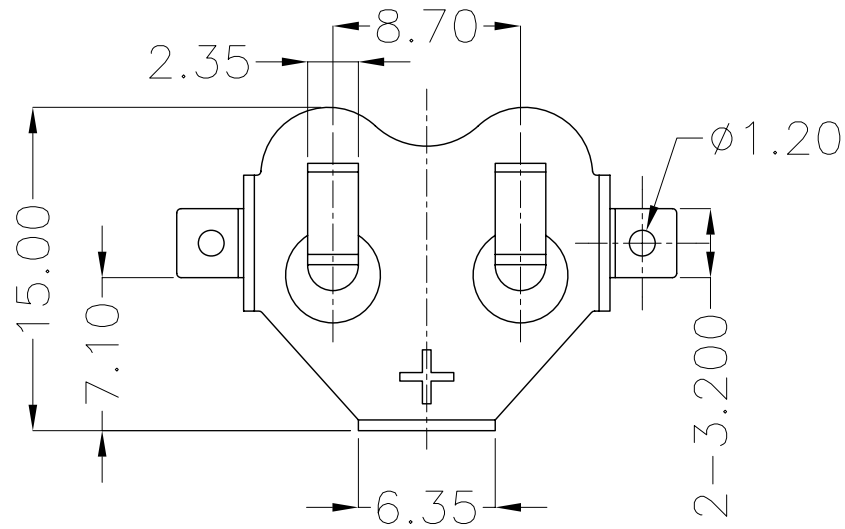


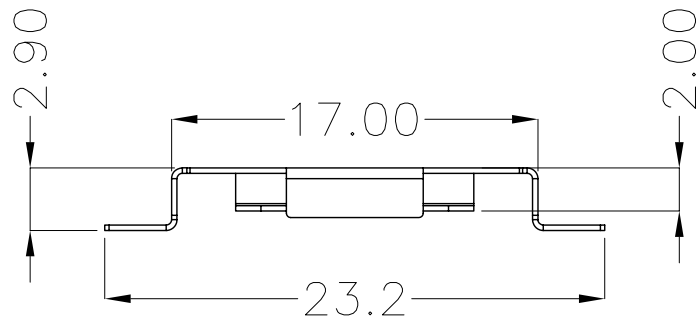


A型

REV.	ECN NO.	REVISED	DATE



PCB Layout Diagram  
Top View



工程部  
2017-03-10  
ZW DANG

UNLESS OTHERWISE SPECIFIED TOLERANCES		<b>MYOUNG 美阳</b> <a href="http://www.meiyangdz.com">www.meiyangdz.com</a>			
DECIMALS: X :±0.30 X.X :±0.25 X.XX :±0.20 X.XXX :±0.10	ANGLES: X :±1° X.X :±0.5°	DSND	YangFeng	DATE	2017-03-10
WEIGHT: 0.53g		CHKD	ZhouRuicai	DATE	2017-03-10
SHEET 1 OF 1		APVD	XueShunyong	DATE	2017-03-10
		SCALE:	3:1	SIZE:	A4
		VIEW:	⊙ ←	UNIT:	mm
		REV.:	A/0	OBJECT:	MY
		TITLE:		电池扣CR1620-W	
		PART NO.:		MY-1620-01	
		DRAW NO.:MY-CP-0043			

1	TERMINAL(+)	1	PHOSPHOR BRONZE, T=0.25mm	Ni-Plating
NO.	PART NAME	Q'TY	MATERIAL	PLATING & COLOR