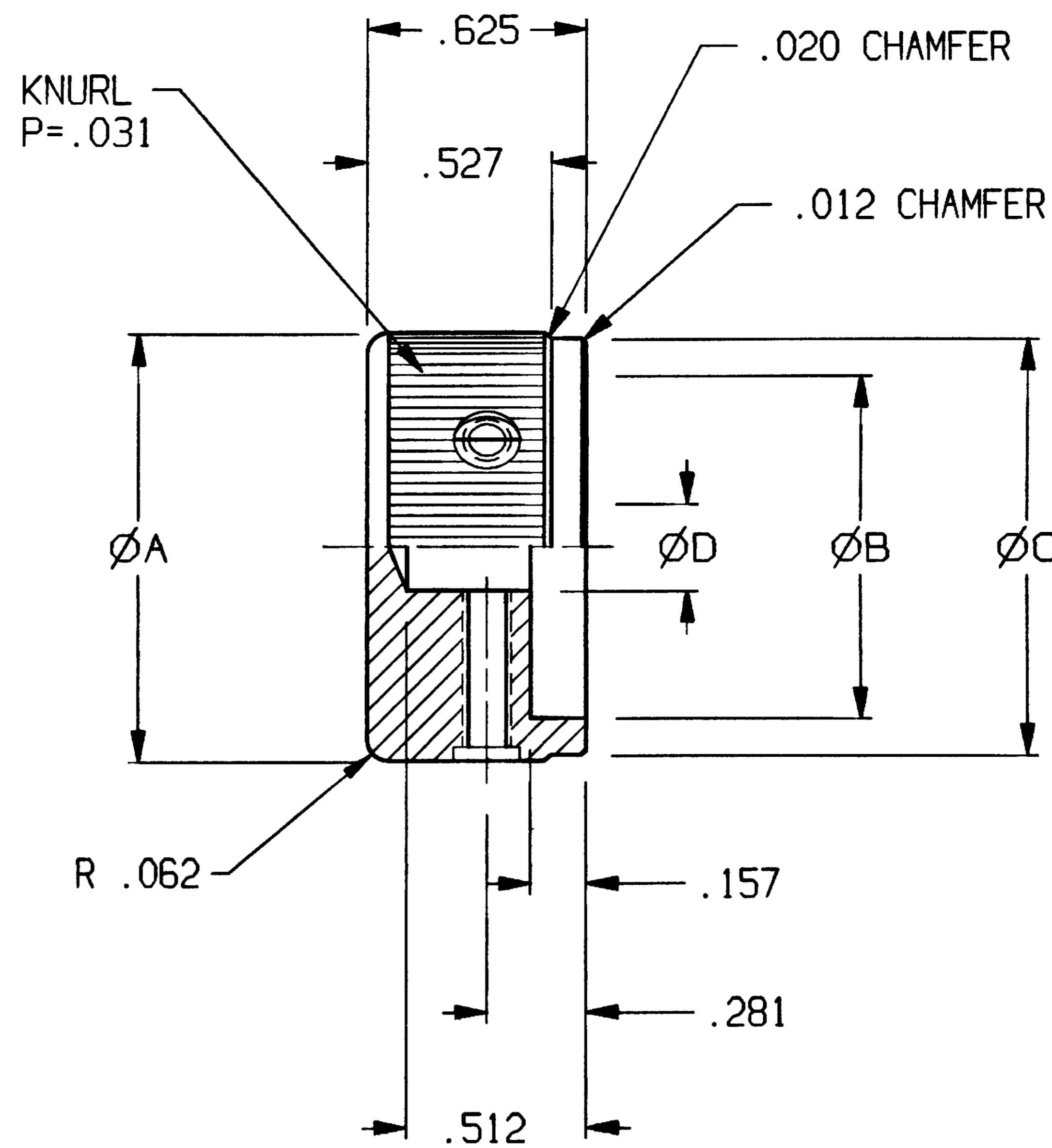
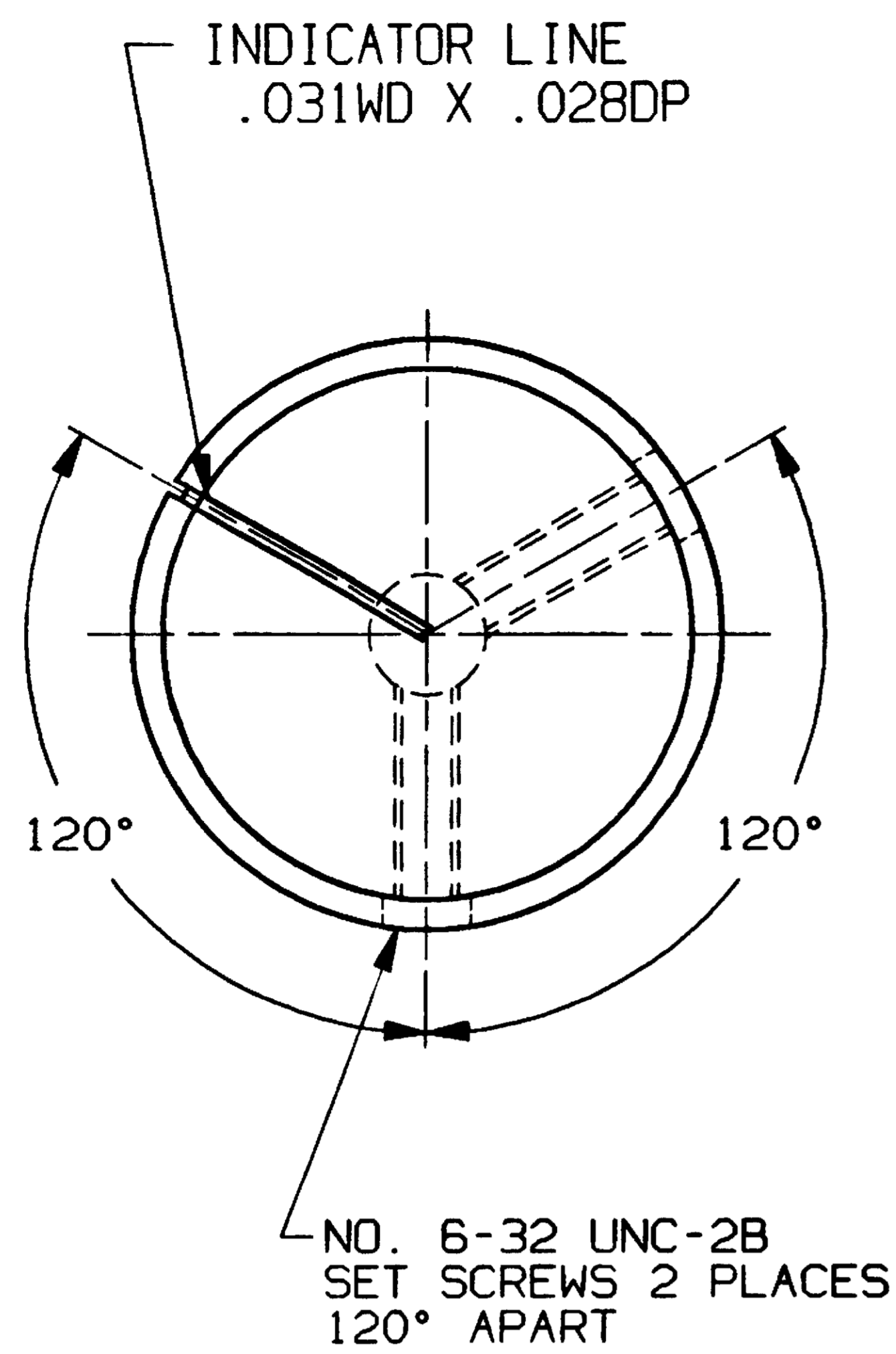


CONVERSION CHART		CONVERSION CHART	
INCH	MM	INCH	MM
.003	0,08	.500	12,70
.004	0,10	.512	13,00
.008	0,20	.527	13,38
.012	0,30	.591	15,00
.020	0,50	.625	15,87
.028	0,70	.685	17,40
.031	0,80	.709	18,00
.062	1,58	.740	18,80
.126	3,20	.882	22,41
.157	4,00	.937	23,81
.158	4,10	.984	25,00
.251	6,38	1,195	30,35
.281	7,14	1,252	31,80
.374	9,50		
.445	11,30		



△6 SPECIFICATIONS:

MATERIALS:
MATERIAL: ALUMINIUM, ANODIZED
FINISH: SEE TABLE.
SET SCREW: #6-32 UNC-2A
STAINLESS STEEL.

△6 NOTES:

1. INTERPRET DRAWING PER ASME Y14.5M-1994.

MODEL NO.	A	B	C	D	ANODIZE	INDICATOR LINE
KLN500A1/8	.500	.374	.445	.126	CLEAR	BLACK
KLN500A1/4	.500	.374	.445	.251	CLEAR	BLACK
KLN500B1/8	.500	.374	.445	.126	BLACK	WHITE
KLN500B1/4	.500	.374	.445	.251	BLACK	WHITE
KLN500S1/8	.500	.374	.445	.126	SMOKE	WHITE
KLN500S1/4	.500	.374	.445	.251	SMOKE	WHITE
KLN700A1/4	.740	.591	.685	.251	CLEAR	BLACK
KLN700B1/4	.740	.591	.685	.251	BLACK	WHITE
KLN700S1/4	.740	.591	.685	.251	SMOKE	WHITE
KLN900A1/4	.937	.709	.882	.251	CLEAR	BLACK
KLN900B1/4	.937	.709	.882	.251	BLACK	WHITE
KLN900S1/4	.937	.709	.882	.251	SMOKE	WHITE
KLN1250A1/4	1,252	.984	1,195	.251	CLEAR	BLACK
KLN1250B1/4	1,252	.984	1,195	.251	BLACK	WHITE
KLN1250S1/4	1,252	.984	1,195	.251	SMOKE	WHITE

△4
△4
△4

△6

OUTLINE DRAWING				SPECIFICATIONS ARE SUBJECT TO CHANGES WITHOUT NOTICE		THIS IS A C.A.D. GENERATED DRAWING. DO NOT MAKE MANUAL REVISIONS TO MASTER.	
THIRD ANGLE PROJECTION		UNLESS OTHERWISE SPECIFIED DIMENSIONS ARE IN INCHES DO NOT SCALE PRINT		ORIGINAL DATE OF DRAWING: 9/30/91		STE TE Connectivity	
TOLERANCES (EXCEPT AS NOTED) ANGULAR = ±3° (NON-CUMULATIVE) DECIMAL .XX = ± DECIMAL .XXX = ±.012 DECIMAL .XXXX = ±		FILE NAME: 80251OUT	DIRECTORY: HDMR/KNOBS	DRAWN: B.R.	DATE: 9/30/91	OUTLINE DRAWING KNOB (KLN SERIES)	
		MATERIAL: SEE SPECIFICATIONS		CHECKED: CMM	DATE: 10/10/91		
		FINISH: SEE SPECIFICATIONS		APPROVED: D.S.	DATE: 10/10/91	DWG. NO. 1437622-1	REV. A
				CODE IDENT. NO. 91506	DWG. SIZE C	PRODUCT CODE: M11	
				NEXT ASSY:		SCALE:	SHEET 1 OF 1

REV	A
REVISIONS	REVISED PER ECO-11-005294 DATE: 18APR11 APPROVED: HMR