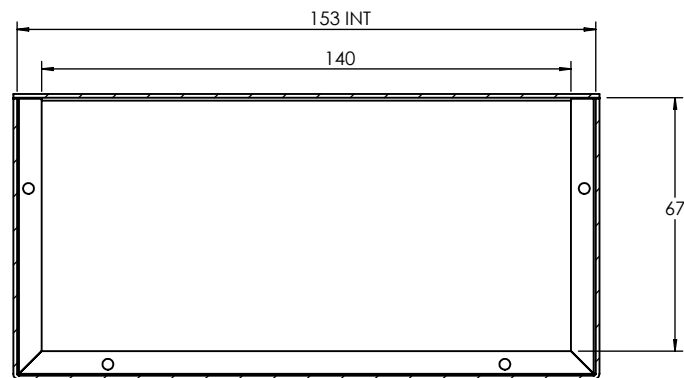
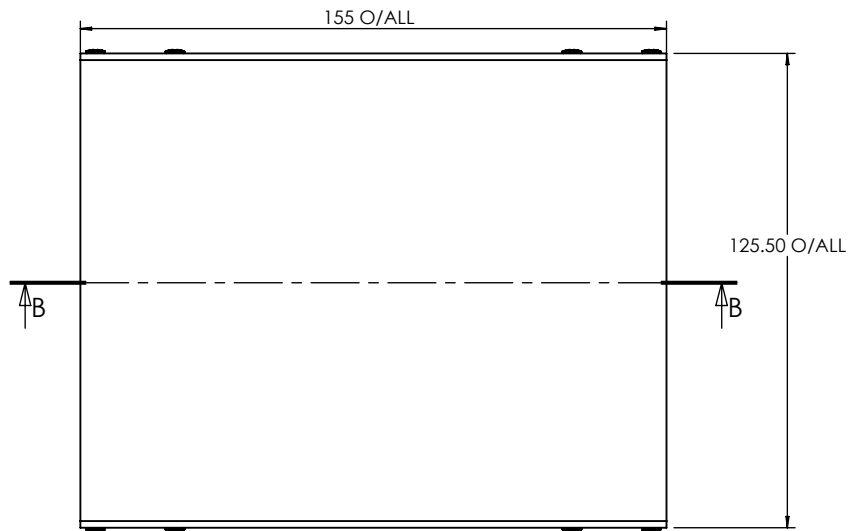
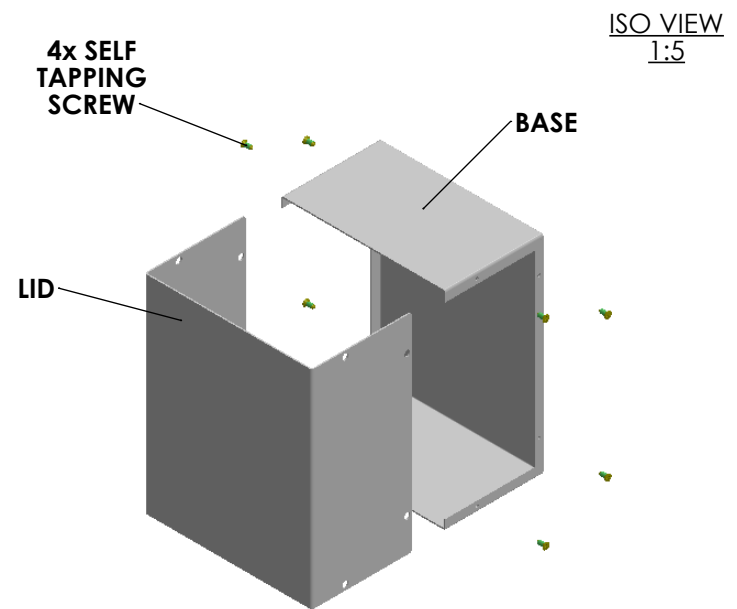


SECTION A-A



SECTION B-B



				UNLESS OTHERWISE SPECIFIED: DIMENSIONS ARE IN MILLIMETERS		DO NOT SCALE DRAWING		REVISION. 0	
				GENERAL TOLERANCES +/- 0.2		TITLE: GENERAL ASSEMBLY DRG FOR MINIBOX SERIES			
JAMES CARTER RD, MILDENHALL, SUFFOLK, IP28 7DE TEL: 01638 716101 FAX: 01638 716554 EMAIL: Sales@CamdenBoss.com WEB: www.CamdenBoss.com				FINISH: POLYESTER PAINT		DWG NO.		CUABOX011	
				MATERIAL: 1 mm THK ALUMINIUM		SCALE: 1 : 3		SHEET 1 OF 1	
DRAWN	L.DROBKA	LD	08/07/11	PROJECTION.					
CHKD	M. WALLACE	MJW	08/07/2011						