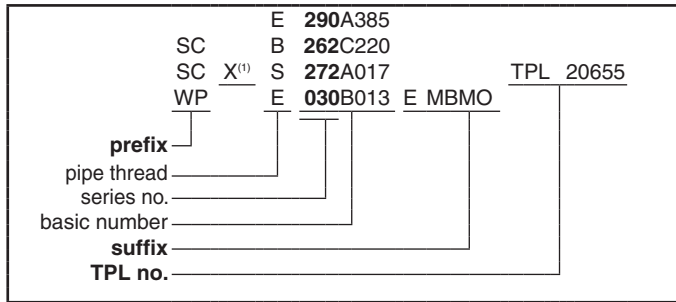


Products in this catalogue are identified by an **alphanumerical** or **numerical** identification system

ALPHANUMERICAL CATALOGUE NUMBERS



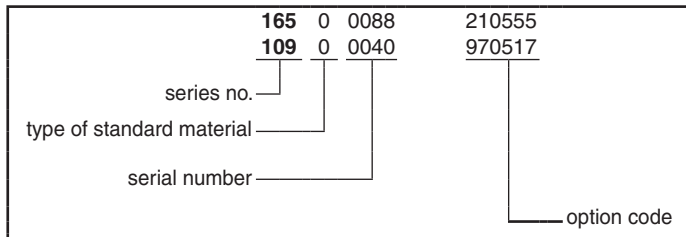
(1) The prefix X is always associated with the TPL (temporary parts list) number

PREFIX - Electrical characteristics, connectors etc.

prefix							description
1	2	3	4	5	6	7	
C	F	S	C				Solenoid with connector DIN 43650, 9,4 mm, pilot 302
C	F	V	T				Solenoid with connector M12, LED and protection, pilot 302
E	F						Explosionproof - NEMA 3, 4, 6, 7, 9
E	V						Explosionproof - NEMA 3, 4, 6, 7, 9 - 316 SS
W	B	L	P				Increased safety / encapsulation - moulded enclosure ATEX-IECEX
E	M						Encapsulated ATEX-IECEX
		E	T				Threaded conduit / ext. thread (M20 x 1.5)
				H	T		Class H - high temperature, +80°C ambient temp.
L	P	K	F				Flameproof - Alum. ATEX-IECEX
N	F						Flameproof - Alum. ATEX-IECEX
P	V						Encapsulated ATEX-IECEX
S	C						Solenoid with spade plug connector
			T				Threaded conduit / ext. thread (1/2" NPT)
W	P						Waterproof IP67 - metal enclosure
L	I						Intrinsically safe - Alum. enclosure ATEX-IECEX
N	F			I	S		I.S. with Aluminium IP67 enclosure ATEX-IECEX
W	S						Waterproof IP67 - 316 SS enclosure
W	S	E	M				Encapsulated ATEX, 316 SS enclosure
W	S	L	I				Intrinsically safe - 316L enclosure ATEX-IECEX
W	S	L	P	K	F		Flameproof - 316L SS ATEX-IECEX
W	S	N	F				Flameproof - 316L SS ATEX-IECEX
W	S	N	F	I	S		I.S. with 316 SS IP67 enclosure ATEX-IECEX
						X	Other special constructions *

* If prefix X is used, always specify Temporary Parts List (TPL) number

NUMERICAL CATALOGUE NUMBERS



OPTION CODES (under "options" in the catalogue)

option	description
210555	Protective cover mounted on valves 1/2-3/4-DN15-20 (series 165-166)
210556	Protective cover mounted on valves 1-1 1/4-DN25-32 (series 165-166)
210557	Protective cover mounted on valves 1 1/2-2-DN40-50 (series 165-166)
210558	Protective cover mounted on valves DN65-80 (series 165)
260657	2 explosionproof switches, 1 contact, -20°..+80°C, DN15..32 (series 165-166)
260658	2 explosionproof switches, 1 contact, -20°..+80°C, DN40..80 (series 165-166)
260660	2 explosionproof switches, 2 contacts, -20°..+80°C, DN15..32 (series 165-166)
260661	2 explosionproof switches, 2 contacts, -20°..+80°C, DN40..80 (series 165-166)
260663	2 explosionproof switches, 1 contact, -55°..+82°C, DN15..32 (series 165-166)
260664	2 explosionproof switches, 1 contact, -55°..+82°C, DN40..80 (series 165-166)
970509	Oxygen service (series 165 except for DN65 to 80, series 166)
970517	Oxygen service (series 108-109)
970523	Valve body degreased during assembly (series 165-166)

The catalogue number appears on the product label:



SUFFIX - Seal materials, manual operator etc.

(under the "options" column in the SPECIFICATIONS table)

suffix							description
1	2	3	4	5	6	7	
	C	O					Epoxy coating on all external surfaces
E	N	N					EPDM (ethylene-propylene)
N	V						Oxygen service (CR (chloroprene))
H	W						FPM (fluoroelastomer) parts cleaned for oxygen service
J							Diaphragm for hot water service
			L	T			CR (chloroprene / neoprene)
							Low temperature
		M	B				Mounting bracket
				M	O		Impulse or maintained manual operator
					S		Maintained manual operator
		P					Dry gas, non-lubricated air construction
		Q					Long life construction
		S	L				Certified IEC 61508 Functional Safety data
T							PTFE (polytetrafluoroethylene)
V							FPM (fluoroelastomer)
			V	M			Primary vacuum
			V	H			Secondary vacuum

TPL (temporary parts list) number - always associated with the prefix X (under "options" in the catalogue)

TPL	description
20547	Version for external pilot air supply (series 551-553)
20655	Manual operator with pushbutton (series 272-374)
20674	LED and protection (prefix CFSC)
23012	2 Mounting holes øM4, 7 mm depth (stainless steel body, series 370)

The catalogue number appears on the product label:



If you know the valve function:

Example: solenoid valve 2/2 NC

→ Consult the page:
Solenoid valves 2/2, **section C**

CONTENTS	
GENERAL AND ENGINEERING INFORMATION <small>Catalogue number-page index</small>	A
PROPORTIONAL VALVES	B
→ 2/2 SOLENOID VALVES	C
2/2 VALVES	D

→ Consult the **Product Index** of section C, page V300-1

Simple selection according to:
material, series no.
& operating characteristics
(range of values)

Function	1/P min. max. (bar)	Temperature min. max. (°C)	Pipe connections	Series	Page
BRASS BODY					
NC-NC	0 - 20	-20 - +100	1/8 - 1/2	E290	V406
NC-NO	0 - 20	-20 - +100	1/8 - 1/2	E290	V410
NC-NC	0 - 20	-20 - +100	3/8 - 1/2	E290	V416
NC-NO	0 - 20	-20 - +100	3/8 - 1/2	E290	V420
NC-NC	0 - 20	-20 - +100	1/2 - 2	E290	V426
NC-NO	0 - 20	-20 - +100	1/2 - 2	E290	V430
NC-NC	0 - 20	-20 - +100	3/8 - 1/2	E290	V436
NC-NO	0 - 20	-20 - +100	3/8 - 1/2	E290	V440
NC-NC	0 - 20	-20 - +100	1/2 - 2	E290	V446
NC-NO	0 - 20	-20 - +100	1/2 - 2	E290	V450
NC-NC	0 - 20	-20 - +100	3/8 - 1/2	E290	V456
NC-NO	0 - 20	-20 - +100	3/8 - 1/2	E290	V460
NC-NC	0 - 20	-20 - +100	1/2 - 2	E290	V466
NC-NO	0 - 20	-20 - +100	1/2 - 2	E290	V470
NC-NC	0 - 20	-20 - +100	3/8 - 1/2	E290	V476
NC-NO	0 - 20	-20 - +100	3/8 - 1/2	E290	V480
NC-NC	0 - 20	-20 - +100	1/2 - 2	E290	V486
NC-NO	0 - 20	-20 - +100	1/2 - 2	E290	V490
STAINLESS STEEL BODY					
NC-NC	0 - 16	-10 - +184	3/8 - 1	E290	V410
NC-NO	0 - 16	-10 - +184	3/8 - 1	E290	V416
NC-NC	0 - 16	-10 - +184	1/2 - 2	E290	V420
NC-NO	0 - 16	-10 - +184	1/2 - 2	E290	V426
NC-NC	0 - 16	-10 - +184	3/8 - 1	E290	V430
NC-NO	0 - 16	-10 - +184	3/8 - 1	E290	V436
NC-NC	0 - 16	-10 - +184	1/2 - 2	E290	V440
NC-NO	0 - 16	-10 - +184	1/2 - 2	E290	V446
NC-NC	0 - 16	-10 - +184	3/8 - 1	E290	V450
NC-NO	0 - 16	-10 - +184	3/8 - 1	E290	V456
NC-NC	0 - 16	-10 - +184	1/2 - 2	E290	V460
NC-NO	0 - 16	-10 - +184	1/2 - 2	E290	V466
NC-NC	0 - 16	-10 - +184	3/8 - 1	E290	V470
NC-NO	0 - 16	-10 - +184	3/8 - 1	E290	V476
NC-NC	0 - 16	-10 - +184	1/2 - 2	E290	V480
NC-NO	0 - 16	-10 - +184	1/2 - 2	E290	V486
NC-NC	0 - 16	-10 - +184	3/8 - 1	E290	V490
NC-NO	0 - 16	-10 - +184	3/8 - 1	E290	V496

NC	0	10	-20	+85	3/8 - 1	238	V311
NC-NO	0	9	-20	+85	3/8 - 1 1/2	210	V313
NC	0,3	16	-10	+85	3/8 - 2	238	V316

page

or → Consult the **Quick Selection Chart**
section C, page V300-2

new

Detailed selection according to:
operating characteristics
(values)

Quick Selection Chart - 2/2 SOLENOID VALVES

1/P	2/P	Function	max. operating pressure differential (bar)	fluid temperature range (°C)	power coil (W)	series	page
0	10	NC	16	-20	+85	10,5	V311
0	9	NC-NO	16	-20	+85	10,5	V313
0,3	16	NC	16	-10	+85	16,7	V316

page

→ Consult page V313-1

ASCO SOLENOID VALVES pilot operated hung diaphragm 3/8 to 1 1/2

NC NO

2/2 Series 210

FEATURES

- Two way shut-off valves for the control air, inert gas, water, oil and other gases/liquids compatible with the sealing material used
- Valves do not require a minimum operating pressure
- All products are covered by Pressure Equipment Directive 97/23/EC and are suitable for group 1 and 2 fluids
- The solenoid valves satisfy all relevant EC directives

GENERAL

Differential pressure See -SPECIFICATIONS- [1 bar = 100 kPa]

Maximum viscosity 65 cSt (mm²/s)

Response time 15 - 120 ms

fluids (+) temperature range (TS) seal materials (+)

20, 25, 32, 40, 50, 63, 80, 100, 125, 160, 200, 250, 315, 400, 500, 630, 800, 1000, 1250, 1600, 2000, 2500, 3150, 4000, 5000, 6300, 8000, 10000, 12500, 16000, 20000, 25000, 31500, 40000, 50000, 63000, 80000, 100000, 125000, 160000, 200000, 250000, 315000, 400000, 500000, 630000, 800000, 1000000, 1250000, 1600000, 2000000, 2500000, 3150000, 4000000, 5000000, 6300000, 8000000, 10000000, 12500000, 16000000, 20000000, 25000000, 31500000, 40000000, 50000000, 63000000, 80000000, 100000000, 125000000, 160000000, 200000000, 250000000, 315000000, 400000000, 500000000, 630000000, 800000000, 1000000000, 1250000000, 1600000000, 2000000000, 2500000000, 3150000000, 4000000000, 5000000000, 6300000000, 8000000000, 10000000000, 12500000000, 16000000000, 20000000000, 25000000000, 31500000000, 40000000000, 50000000000, 63000000000, 80000000000, 100000000000, 125000000000, 160000000000, 200000000000, 250000000000, 315000000000, 400000000000, 500000000000, 630000000000, 800000000000, 1000000000000, 1250000000000, 1600000000000, 2000000000000, 2500000000000, 3150000000000, 4000000000000, 5000000000000, 6300000000000, 8000000000000, 10000000000000, 12500000000000, 16000000000000, 20000000000000, 25000000000000, 31500000000000, 40000000000000, 50000000000000, 63000000000000, 80000000000000, 100000000000000, 125000000000000, 160000000000000, 200000000000000, 250000000000000, 315000000000000, 400000000000000, 500000000000000, 630000000000000, 800000000000000, 1000000000000000, 1250000000000000, 1600000000000000, 2000000000000000, 2500000000000000, 3150000000000000, 4000000000000000, 5000000000000000, 6300000000000000, 8000000000000000, 10000000000000000, 12500000000000000, 16000000000000000, 20000000000000000, 25000000000000000, 31500000000000000, 40000000000000000, 50000000000000000, 63000000000000000, 80000000000000000, 100000000000000000, 125000000000000000, 160000000000000000, 200000000000000000, 250000000000000000, 315000000000000000, 400000000000000000, 500000000000000000, 630000000000000000, 800000000000000000, 1000000000000000000, 1250000000000000000, 1600000000000000000, 2000000000000000000, 2500000000000000000, 3150000000000000000, 4000000000000000000, 5000000000000000000, 6300000000000000000, 8000000000000000000, 10000000000000000000, 12500000000000000000, 16000000000000000000, 20000000000000000000, 25000000000000000000, 31500000000000000000, 40000000000000000000, 50000000000000000000, 63000000000000000000, 80000000000000000000, 100000000000000000000, 125000000000000000000, 160000000000000000000, 200000000000000000000, 250000000000000000000, 315000000000000000000, 400000000000000000000, 500000000000000000000, 630000000000000000000, 800000000000000000000, 1000000000000000000000, 1250000000000000000000, 1600000000000000000000, 2000000000000000000000, 2500000000000000000000, 3150000000000000000000, 4000000000000000000000, 5000000000000000000000, 6300000000000000000000, 8000000000000000000000, 10000000000000000000000, 12500000000000000000000, 16000000000000000000000, 20000000000000000000000, 25000000000000000000000, 31500000000000000000000, 40000000000000000000000, 50000000000000000000000, 63000000000000000000000, 80000000000000000000000, 100000000000000000000000, 125000000000000000000000, 160000000000000000000000, 200000000000000000000000, 250000000000000000000000, 315000000000000000000000, 400000000000000000000000, 500000000000000000000000, 630000000000000000000000, 800000000000000000000000, 1000000000000000000000000, 1250000000000000000000000, 1600000000000000000000000, 2000000000000000000000000, 2500000000000000000000000, 3150000000000000000000000, 4000000000000000000000000, 5000000000000000000000000, 6300000000000000000000000, 8000000000000000000000000, 10000000000000000000000000, 12500000000000000000000000, 16000000000000000000000000, 20000000000000000000000000, 25000000000000000000000000, 31500000000000000000000000, 40000000000000000000000000, 50000000000000000000000000, 63000000000000000000000000, 80000000000000000000000000, 100000000000000000000000000, 125000000000000000000000000, 160000000000000000000000000, 200000000000000000000000000, 250000000000000000000000000, 315000000000000000000000000, 400000000000000000000000000, 500000000000000000000000000, 630000000000000000000000000, 800000000000000000000000000, 1000000000000000000000000000, 1250000000000000000000000000, 1600000000000000000000000000, 2000000000000000000000000000, 2500000000000000000000000000, 3150000000000000000000000000, 4000000000000000000000000000, 5000000000000000000000000000, 6300000000000000000000000000, 8000000000000000000000000000, 10000000000000000000000000000, 12500000000000000000000000000, 16000000000000000000000000000, 20000000000000000000000000000, 25000000000000000000000000000, 31500000000000000000000000000, 40000000000000000000000000000, 50000000000000000000000000000, 63000000000000000000000000000, 80000000000000000000000000000, 100000000000000000000000000000, 125000000000000000000000000000, 160000000000000000000000000000, 200000000000000000000000000000, 250000000000000000000000000000, 315000000000000000000000000000, 400000000000000000000000000000, 500000000000000000000000000000, 630000000000000000000000000000, 800000000000000000000000000000, 1000000000000000000000000000000, 1250000000000000000000000000000, 1600000000000000000000000000000, 2000000000000000000000000000000, 2500000000000000000000000000000, 3150000000000000000000000000000, 4000000000000000000000000000000, 5000000000000000000000000000000, 6300000000000000000000000000000, 8000000000000000000000000000000, 10000000000000000000000000000000, 12500000000000000000000000000000, 16000000000000000000000000000000, 20000000000000000000000000000000, 25000000000000000000000000000000, 31500000000000000000000000000000, 40000000000000000000000000000000, 50000000000000000000000000000000, 63000000000000000000000000000000, 80000000000000000000000000000000, 100000000000000000000000000000000, 125000000000000000000000000000000, 160000000000000000000000000000000, 200000000000000000000000000000000, 250000000000000000000000000000000, 315000000000000000000000000000000, 400000000000000000000000000000000, 500000000000000000000000000000000, 630000000000000000000000000000000, 800000000000000000000000000000000, 1000000000000000000000000000000000, 1250000000000000000000000000000000, 1600000000000000000000000000000000, 2000000000000000000000000000000000, 2500000000000000000000000000000000, 3150000000000000000000000000000000, 4000000000000000000000000000000000, 5000000000000000000000000000000000, 6300000000000000000000000000000000, 8000000000000000000000000000000000, 10000000000000000000000000000000000, 12500000000000000000000000000000000, 16000000000000000000000000000000000, 20000000000000000000000000000000000, 25000000000000000000000000000000000, 31500000000000000000000000000000000, 40000000000000000000000000000000000, 50000000000000000000000000000000000, 63000000000000000000000000000000000, 80000000000000000000000000000000000, 100000000000000000000000000000000000, 125000000000000000000000000000000000, 160000000000000000000000000000000000, 200000000000000000000000000000000000, 250000000000000000000000000000000000, 315000000000000000000000000000000000, 400000000000000000000000000000000000, 500000000000000000000000000000000000, 630000000000000000000000000000000000, 800000000000000000000000000000000000, 1000000000000000000000000000000000000, 1250000000000000000000000000000000000, 1600000000000000000000000000000000000, 2000000000000000000000000000000000000, 2500000000000000000000000000000000000, 3150000000000000000000000000000000000, 4000000000000000000000000000000000000, 5000000000000000000000000000000000000, 6300000000000000000000000000000000000, 8000000000000000000000000000000000000, 10000000000000000000000000000000000000, 12500000000000000000000000000000000000, 16000000000000000000000000000000000000, 20000000000000000000000000000000000000, 2500000000000

SOLENOID VALVES WITH CONNECTOR

Ordering example (alphanumerical catalogue number)



+ 2 mounting holes øM4, depth 7 mm + voltage/frequency (AC) or voltage (DC)

full catalogue number:
SCXE370A031

TPL:
23012

230V/AC 50 Hz

Ordering example (numerical catalogue number)



+ oxygen service + voltage/frequency (AC) or voltage (DC)

full catalogue number:
10900040

option code:
970517

24V/DC

PRESSURE-OPERATED VALVES

Ordering example (piston-type valve)



=



+



full catalogue number:
E290A384

solenoid pilot valve:
18900032

Ordering example (diaphragm-type valve)



=



+



+



guard mounted on valve

full catalogue number:
16500088

solenoid pilot valve:
E314K151S1N01F8

option code:
210555

Example: You have selected a 2/2 NC series 262 solenoid valve (from section C) and would like to choose a solenoid for this valve for use in explosive atmosphere zones 1-21, protection type "em".

→ Product page V235-1 (standard solenoid valve)

IONS» [1 bar = 100 kPa]

seal materials (*)
NBR (nitrile)
UR (cast urethane)

with the materials is verified
ISI 303 SS

Ø 6-10 mm
75301-803, form A
N 60529)
V - 115V - 230V / 50 Hz


replacement coil	type (1)
25-117	400325-142 01
25-217	400325-242 01
25-117	400425-142 02
25-217	- 02
-	400425-342 02

coil power:
11.2W DC

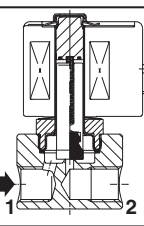
catalogue number:
SCB262C220

options
maintained man. operator
FPM
EPDM
CR
PTFE

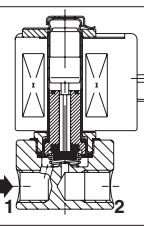
5	35	35	6	9,7	SCB262C080	-	V	E	J	T
8	11	8	6	9,7	SCB262C086	MO	V	E	J	T
4	8	4	6	9,7	SCB262C007	-	V	E	J	T
5	10	3	10,5	11,2	SCB262C220	-	V	E	J	T
7	6,5	1,7	10,5	11,2	SCB262C226	-	V	E	J	T



C



NC function



NO function



→ Consult the Quick Selection Chart, Section C, page V200/V300-5

- in the rows: locate the series number 262 and the coil power 11,2 W
- in the columns: locate ATEX zones 1-21 and protection type "e mb"
- at the row/column intersection: find the ATEX-compatible solenoids (identified by the logo)
- and identify the ATEX page number V1047-1

Quick Selection Chart - POTENTIALLY EXPLOSIVE ATMOSPHERES zones 1-21 protection type "Ex e mb"

page	series	AC (-)	DC (-)	SG (X(M5))	SG (C(25))	dusts zone 22	zones 2-22	zones 1-21			
								2 G Ex d 2 D Ex tb	2 G Ex e mb 2 D Ex ID	2 G Ex mb 2 D Ex mD	ATEX page
V209	256	4	6,9	②	②	3 D Ex tc	3 G Ex nA 3 D Ex tc	2 G Ex d 2 D Ex tb	2 G Ex e mb 2 D Ex ID	2 G Ex mb 2 D Ex mD	V1047-1
		5	6,9	②	②		302				
		7									
		6	9,7								
		9	19,3								
		10,5	11,2								
		12,5	19,7								
		8,1	19,7								

series 262 power: 11,2W

→ Consult page V1047-1: solenoid operators zone 1-21 "e mb"

ASCO™ for potentially explosive atmospheres increased safety/encapsulation II 2 G Ex e mb II T6..T3, II 2 D Ex ID A21 IP67 steel or stainless steel enclosure

Series **EM WSEM**

FEATURES

- Explosionproof operator for use in potentially explosive atmospheres according to ATEX-Directive 94/9/EC
- EC type examination certificate no.: KEMA 98 ATEX 2542 X
- IECEX Certificate of Conformity no.: IECEX KEM 08.0002X
- Compliance with the Essential Health and Safety Requirements has been assured by compliance with the International and European Standards EN-IEC 60079-0, EN-IEC 60079-7, EN-IEC 60079-18, EN-IEC 61241-0 and EN-IEC 61241-1
- Easy electrical installation by means of a screw terminal coil
- Peak voltage suppression standard for DC executions
- Enclosure provided with integral strain relief for cable with an o.d. of 7 to 12 mm
- Ingress protection degree IP67
- A wide range of valves can be supplied with the operator

CONSTRUCTION

Solenoid enclosure EM Zinc plated steel (epoxy coated)
WSEM Stainless steel, AISI 316

Cable gland PA, M20 x 1,5

Core, core tube and plugnut Stainless steel

Shading coil Copper or silver

Nameplate Polyester

Coil connection Embedded screw terminals

Safety code II 2 G Ex e mb II T6..T3
II 2 D Ex ID A21 IP67 T 85°C to T 200°C

ELECTRICAL CHARACTERISTICS

Standard voltages DC (-): 24V - 48V
AC (-): 24V - 48V - 115V - 230V / 50 Hz

TEMPERATURE CLASSIFICATION TABLES

AC (-) solenoids

coil power (W)	max. ambient temp. (°C)	T6	T5	T4	T3
1,2	125	100	100	100	100
1,5	125	100	100	100	100
3,7	125	100	100	100	100
5,8	125	100	100	100	100
6,0	125	100	100	100	100
9,0	125	100	100	100	100
10,0	125	100	100	100	100
10,5	125	100	100	100	100
13,0	125	100	100	100	100
13,8	125	100	100	100	100

DC (+) solenoids

coil power (W)	max. ambient temp. (°C)	T6	T5	T4	T3
1,5	125	100	100	100	100
1,5	125	100	100	100	100
3,0	125	100	100	100	100
3,0	125	100	100	100	100
6,0	125	100	100	100	100
6,0	125	100	100	100	100
12,0	125	100	100	100	100
12,0	125	100	100	100	100
15,0	125	100	100	100	100
15,0	125	100	100	100	100


power compatibility:
11.2W DC / coil MXX

ORDERING INFORMATION

A valve supplied with the explosionproof operator will be identified with prefix EM or WSEM before the catalogue number.
Example: WSEM E 210D095 230V/50 Hz
EM E 210D095 230V/50 Hz



C



EM



EM

Prefix EM before the selected catalogue number: **EMB262C220**



00003GB-2014/R02 Availability, design and specifications are subject to change without notice. All rights reserved.

Example: You have selected a series **290** pressure-operated valve 2/2 NC (from **section D**) and would like to use it in explosive atmosphere zone 22.

→ Product page **V410-1** (standard pressure-operated valve)

VALVES
pressure operated
bronze or stainless steel body
threaded ports, 3/8 to 2 1/2

2/2 Series **E290**

NC

NO

CONTACT WITH FLUID
Compatibility of the fluids in contact with the materials is verified

Brass body	Stainless steel body
Bronze	AISI 316L
Stainless steel	Stainless steel
Brass	Stainless steel
PTFE chevrons	PTFE chevrons
FPM	FPM
PTFE	PTFE
PTFE	PTFE

OPERATING PRESSURE
See -SPECIFICATIONS- (1 bar = 100 kPa)

pressure range
16 bar
-10°C to +60°C
600 cSt (mm²/s)
Filtered air or water⁽¹⁾
10 bar
See below and following page
-10°C to +60°C
See page V402-7

fluid groups (+)	temperature range	disc seal (+)
fluid gas groups 1 & 2 and gas group 2 fluid groups 1 & 2 and steam	-10°C to +184°C	PTFE

OPERATING PRESSURE
operating pressure differential (bar)
min. max. min. max.
air, inert gas, aggressive fluids (+) water, oil, liquid aggressive fluids (+)

catalogue number selected: **E290A384**

disc seal (+)	operating pressure differential (bar)	catalogue number
47	4 → 10 0 → 16	10 32 - E290A791
68	4 → 10 0 → 12	10 32 E290A792
68	4 → 10 0 → 16	10 50 E290A384 E290A393

→ Consult page **V436**: pressure-operated valves

ACCESSORIES
for use in potentially explosive atmospheres
series **290 - 390**

2/2 - 3/2 Series

290 - 390

compliance with ATEX-Directive 94/9/EC,
requirements has been assured by compliance with European Standards EN
and paint coating industries etc.

classification (zones)									
category 2					category 3				
dusts	gas			safety code	dusts	gas			safety code
IIA	IIB	IIC	IIA		IIB	IIC			
21	1	1	-	⊕ II 2 GD c IIB T4 T135°C	22	2	2	2	⊕ II 3 GD c T4 T135°C
21	1	1	-		22	2	2	2	
21	1	1	-	⊕ II 2 GD c IIB T4 T135°C	22	2	2	2	⊕ II 3 GD c T4 T135°C
21	1	1	-		22	2	2	2	
21	-	-	-	⊕ II 2 D c T135°C	22	2	2	2	⊕ II 3 GD c T4 T135°C

suffix to be added to the valve's catalogue number⁽¹⁾

category 2	category 3
GD2	GD3

designed for use in zones 1 and 21 (category 2), catalogue number: **E290B010GD2**

catalogue page

see page

Suffix **GD3** behind the selected catalogue number:
E290A384 GD3



→ Consult the Quick Selection Chart, **Section D**, page **V400-4**

- in the rows: locate the series number **E290**
- in the columns: locate ATEX zone **22**
- at the row/column intersection: find the ATEX-compatible products (identified by the logo)
- and identify the ATEX page number **V436**

ASCO Quick Selection Chart - POTENTIALLY EXPLOSIVE ATMOSPHERES

PRESSURE OPERATED VALVES

page	series	DN	group II			ATEX page		
			dusts zone 22	gas zone 2	dusts zone 21	gas zone 1	dust	
SERIES 290 VALVES ATEX 94/9/EC (see page V436)								
V410	E290	10 → 20						
V412	E290	10 → 20						
V414	E290	10 → 20						
V420	E290	10 → 65						
V431	E290	25 → 50						
V438	(ISO 15218, CNOMO size 15, pilot interface)	10 → 20						

