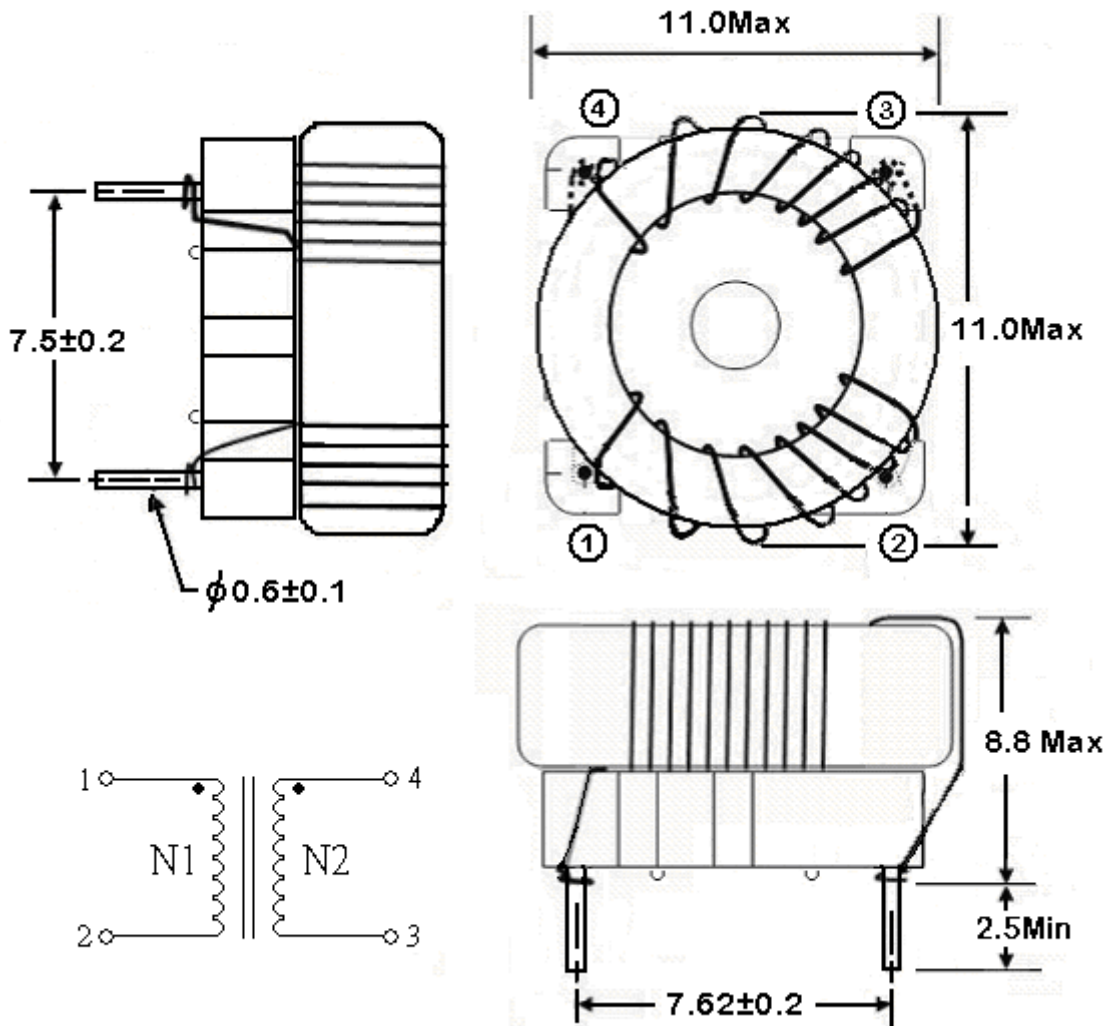


TCK-050



All dimensions in mm

SPECIFICATIONS

Common Mode Choke TCK-050

Inductance	Pin 1-2: 325µH ±35%	Pin 3-4: 325µH ±35%
	Test Condition: 100KHz/100mV Measurement Instrument: HP 4263B LCR Meter	
Impedance	DCR (Max): 35mΩ	
	Measurement Instrument: Agilent 34401A Meter	
Rated Current	Idc (Max): 3.3A	
	Measurement Instrument: Agilent 34401A Meter	
Recommended Through Hole	φ 0.8 mm	