

Customer Information Sheet

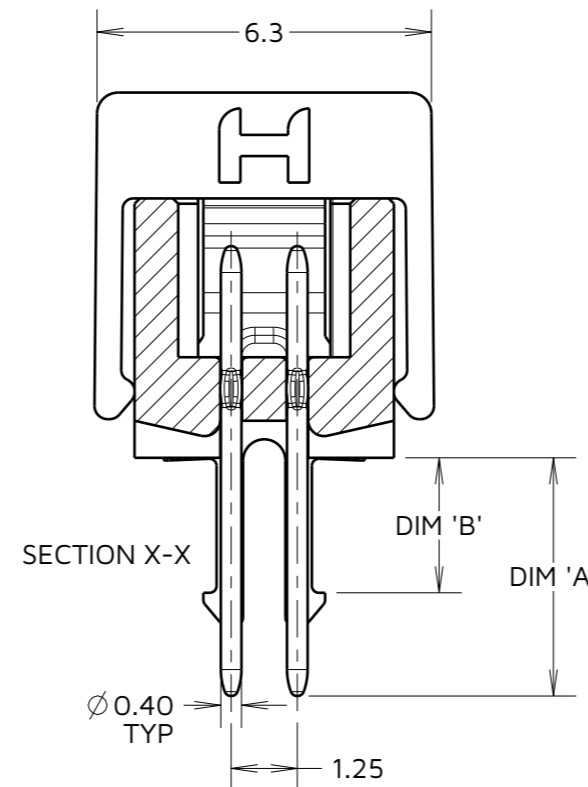
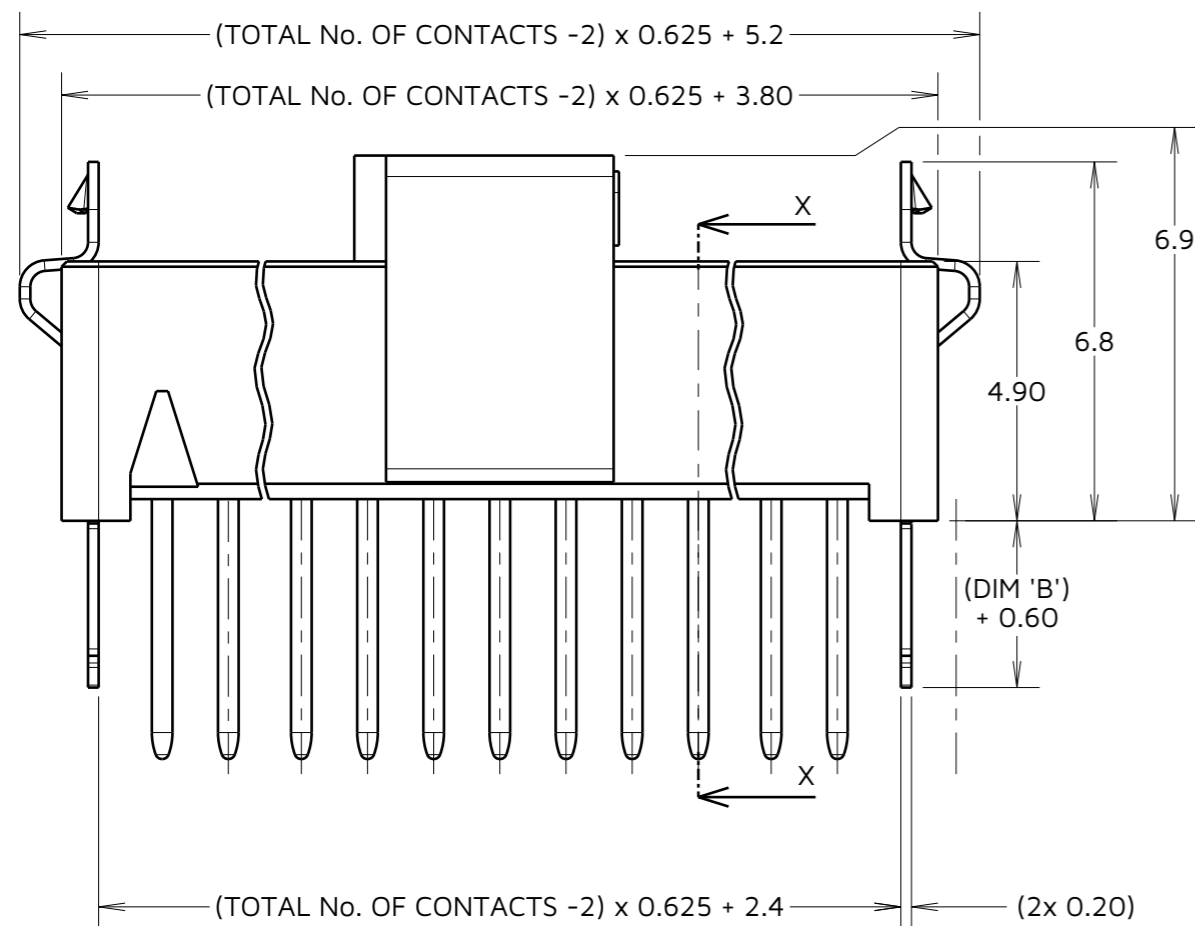
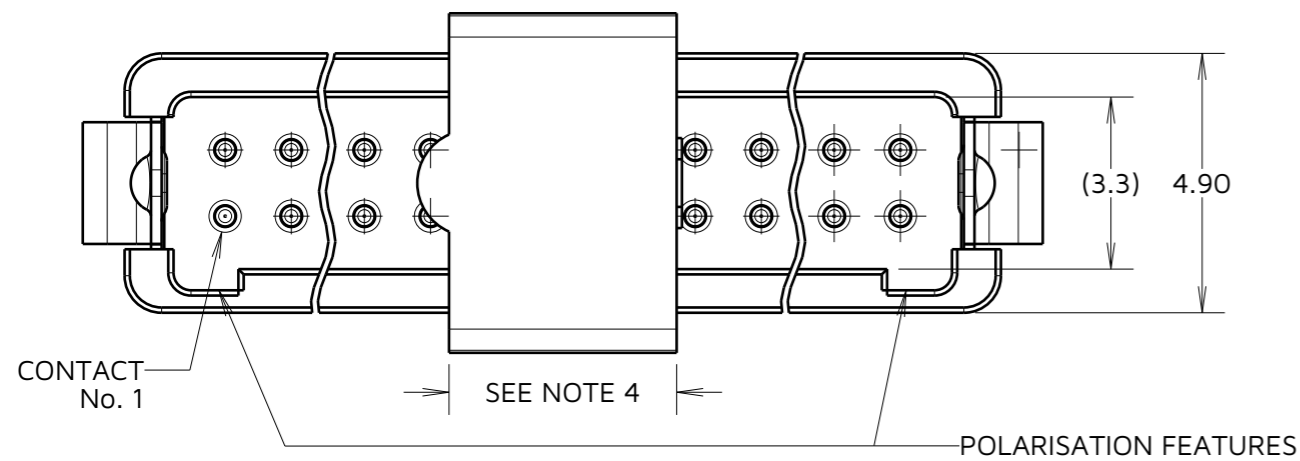
IF IN DOUBT - ASK

©

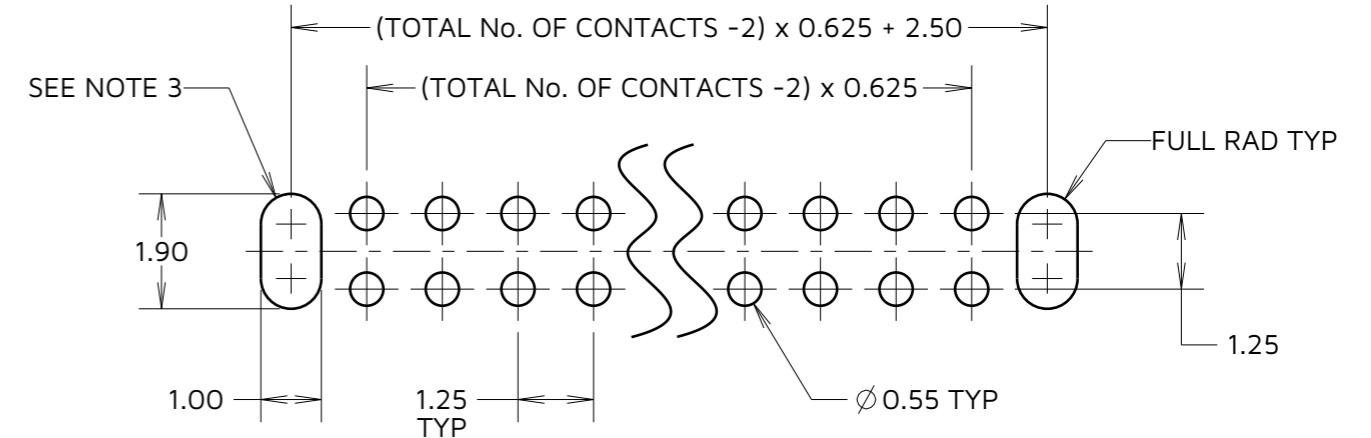
NOT TO SCALE

THIRD ANGLE PROJECTION

ALL DIMENSIONS IN mm



RECOMMENDED PCB LAYOUT - TOLERANCE = ±0.05



ORDER CODE:

G125-MVXXX05LXP

CONTACT STYLE:

3.00MM PC-TAIL = V1
4.50MM PC-TAIL = V2

TOTAL No. OF CONTACTS:

06, 10, 12, 16, 20, 26, 34, 50

LATCHES:

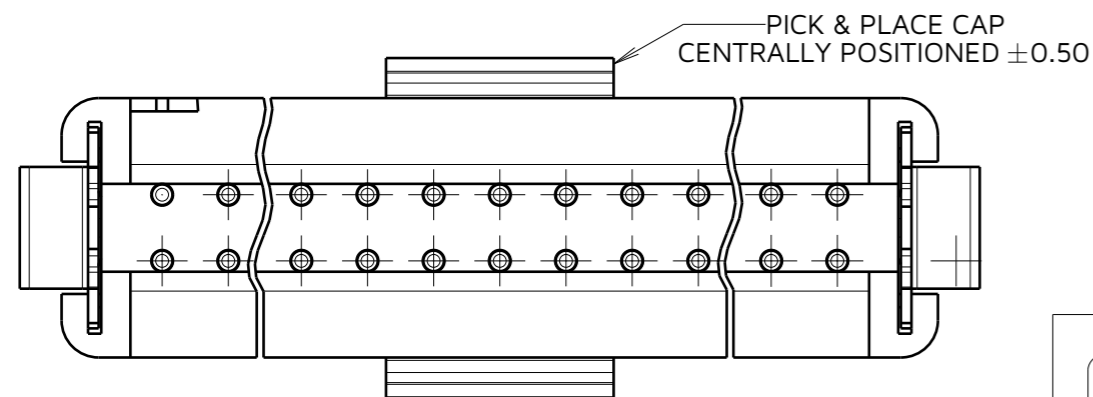
NO LATCHES = L0
1.6mm LATCHES = L1
2.4mm LATCHES = L2

CONTACT STYLE	DIM 'A'	LATCH STYLE	DIM 'B'
V1	3.00	L0	NO LATCH
		L1	1.70
V2	4.50	L0	NO LATCH
		L2	2.50

CONNECTOR DETAILS AND PCB LAYOUT ONLY.
SEE SHEET 5 FOR TAPE STRIP DETAILS.

NOTES:

- FOR COMPLETE SPECIFICATION, SEE COMPONENT SPECIFICATION C125XX (LATEST ISSUE).
- LATCHES SHOWN FOR ILLUSTRATION ONLY. WHEN "L0" IS SPECIFIED IN ORDER CODE NO LATCHES WILL BE FITTED/SUPPLIED.
- SLOTS NOT REQUIRED WHEN "L0" IS SPECIFIED IN ORDER CODE.
- PICK AND PLACE CAP LENGTH = 4.3mm ON ALL PART NUMBERS EXCEPT G125-MVX0605LXP ON THIS PART LENGTH = 3.3mm.



RTP	6	27.04.23	32488
NAME	ISS.	DATE	CN/CO
APPROVED: R.PORTLOCK			
CHECKED: A.BOXALL			
DRAWN: S.FLOWER			
ASSEMBLY DRG:			

HARWIN

www.harwin.com

TOLERANCES
X. = ±1mm
X.X = ±0.50mm
X.XX = ±0.20mm
X.XXX = ±0.01mm
ANGLES = ±5°
UNLESS STATED

THIS DRAWING AND ANY INFORMATION OR DESCRIPTIVE MATTER SET OUT HEREON ARE CONFIDENTIAL AND COPYRIGHT PROPERTY OF THE HARWIN GROUP AND MUST NOT BE DISCLOSED, LOANED, COPIED OR USED FOR MANUFACTURING, TENDERING OR FOR ANY OTHER PURPOSE WITHOUT THEIR WRITTEN PERMISSION.

MATERIAL:

SEE NOTE 1

TITLE: 1.25mm GECKO MALE VERTICAL THROUGH BOARD CONNECTORS IN TAPE

DRAWING NUMBER:

G125-MVXXX05LXP

SHT
4 OF 5

Customer Information Sheet

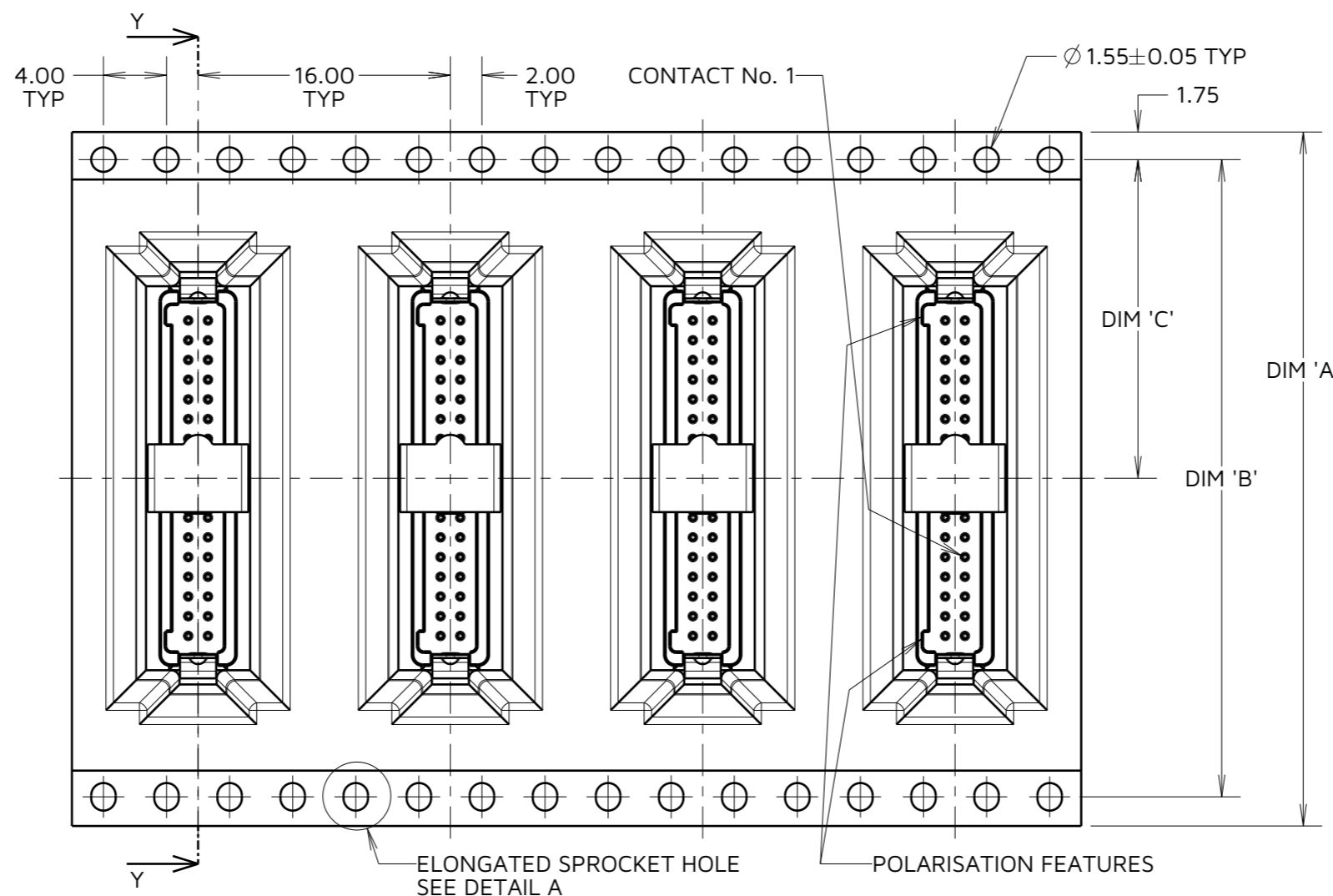
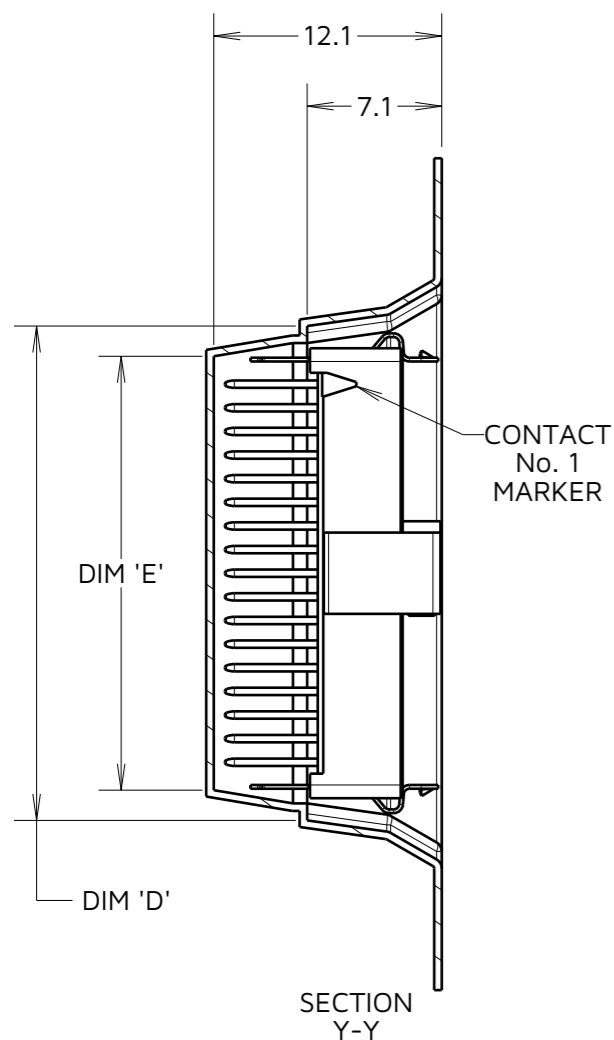
IF IN DOUBT - ASK

©

NOT TO SCALE

THIRD ANGLE PROJECTION

ALL DIMENSIONS IN mm



ORDER CODE:

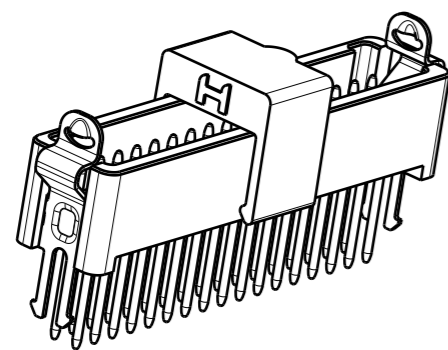
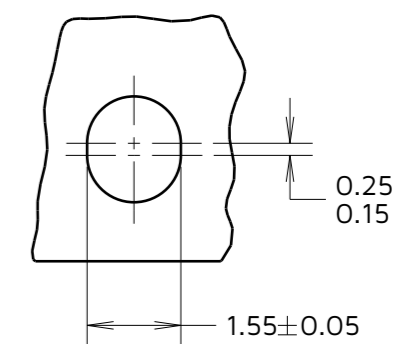
G125-MVXXX05LXP

CONTACT STYLE:
3.00MM PC-TAIL = V1
4.50MM PC-TAIL = V2

TOTAL No. OF CONTACTS:
06, 10, 12, 16, 20, 26, 34, 50

LATCHES:
NO LATCHES = LO
1.6mm LATCHES = L1
2.4mm LATCHES = L2

DETAIL A
SCALE 8
SEE NOTE 8



PART No.	DIM 'A'	DIM 'B'	DIM 'C'	DIM 'D'	DIM 'E'
G125-MVX0605LXP	24.0±0.3	NO ELONGATED HOLE	11.50	(8.7)	(5.5)
G125-MVX1005LXP				(11.2)	(8.0)
G125-MVX1205LXP	32.0±0.3	28.40	14.20	(12.4)	(9.2)
G125-MVX1605LXP				(14.9)	(11.7)
G125-MVX2005LXP				(17.4)	(14.2)
G125-MVX2605LXP	44.0±0.3	40.40	20.2±0.15	(21.2)	(18.0)
G125-MVX3405LXP				(26.2)	(23.0)
G125-MVX5005LXP	56.0±0.3	52.40	26.2±0.15	(36.2)	(33.0)

NOTES:

- COMPONENTS ARE ORIENTED IN TAPE POCKETS AS SHOWN.
- COMPONENTS ARE SUPPLIED IN STRIPS OF TAPE. SUPPLIED QUANTITY MAY CONSIST OF MORE THAN ONE STRIP. STRIP LENGTH MAY VARY.
- LARGE QUANTITIES MAY BE SHIPPED ON A REEL AND MAY NOT HAVE A LEADER.
- FOR PARTS ON REEL SUITABLE FOR AUTOMATIC MACHINE PLACEMENT PLEASE ORDER: G125-MVXXX05LXR.
- FOR COMPLETE SPECIFICATION, SEE COMPONENT SPECIFICATION C125XX (LATEST ISSUE).
- COMPONENTS ARE ORIENTATED IN TAPE POCKETS SO THAT THE POLARISING FEATURES ARE FACING AWAY FROM THE FREE END.
- LATCHES SHOWN FOR ILLUSTRATION ONLY. WHEN "LO" IS SPECIFIED IN ORDER CODE NO LATCHES WILL BE FITTED/SUPPLIED.
- ELONGATED SPROCKET HOLE NOT PRESENT ON 06 & 10 POSITIONS.

RTP	6	27.04.23	32488
NAME	ISS.	DATE	CN/CO
APPROVED: R.PORTLOCK			
CHECKED: A.BOXALL			
DRAWN: S.FLOWER			
ASSEMBLY DRG:			

HARWIN

www.harwin.com

TOLERANCES
X. = ±1mm
X.X = ±0.50mm
X.XX = ±0.20mm
X.XXX = ±0.01mm
ANGLES = ±5°
UNLESS STATED

THIS DRAWING AND ANY INFORMATION OR DESCRIPTIVE MATTER SET OUT HEREON ARE CONFIDENTIAL AND COPYRIGHT PROPERTY OF THE HARWIN GROUP AND MUST NOT BE DISCLOSED, LOANED, COPIED OR USED FOR MANUFACTURING, TENDERING OR FOR ANY OTHER PURPOSE WITHOUT THEIR WRITTEN PERMISSION.

MATERIAL:

SEE SHEET 4

TITLE: 1.25mm GECKO MALE VERTICAL THROUGH BOARD CONNECTORS IN TAPE

DRAWING NUMBER:
G125-MVXXX05LXP

SHT
5
OF
5

Mouser Electronics

Authorized Distributor

Click to View Pricing, Inventory, Delivery & Lifecycle Information:

Harwin:

[G125-MV21605L2P](#) [G125-MV11205L1P](#) [G125-MV12005L0P](#) [G125-MV22605L0P](#) [G125-MV12605L1P](#) [G125-MV11205L0P](#) [G125-MV11605L1P](#) [G125-MV22005L0P](#) [G125-MV22605L2P](#) [G125-MV21205L0P](#) [G125-MV12605L0P](#) [G125-MV21205L2P](#) [G125-MV11605L0P](#) [G125-MV22005L2P](#) [G125-MV21605L0P](#) [G125-MV12005L1P](#) [G125-MV13405L0P](#) [G125-MV10605L1P](#) [G125-MV11005L0P](#) [G125-MV11005L1P](#) [G125-MV13405L1P](#) [G125-MV15005L0P](#) [G125-MV15005L1P](#) [G125-MV20605L0P](#) [G125-MV20605L2P](#) [G125-MV21005L0P](#) [G125-MV21005L2P](#) [G125-MV23405L0P](#) [G125-MV23405L2P](#) [G125-MV25005L0P](#) [G125-MV25005L2P](#) [G125-MV10605L0P](#)