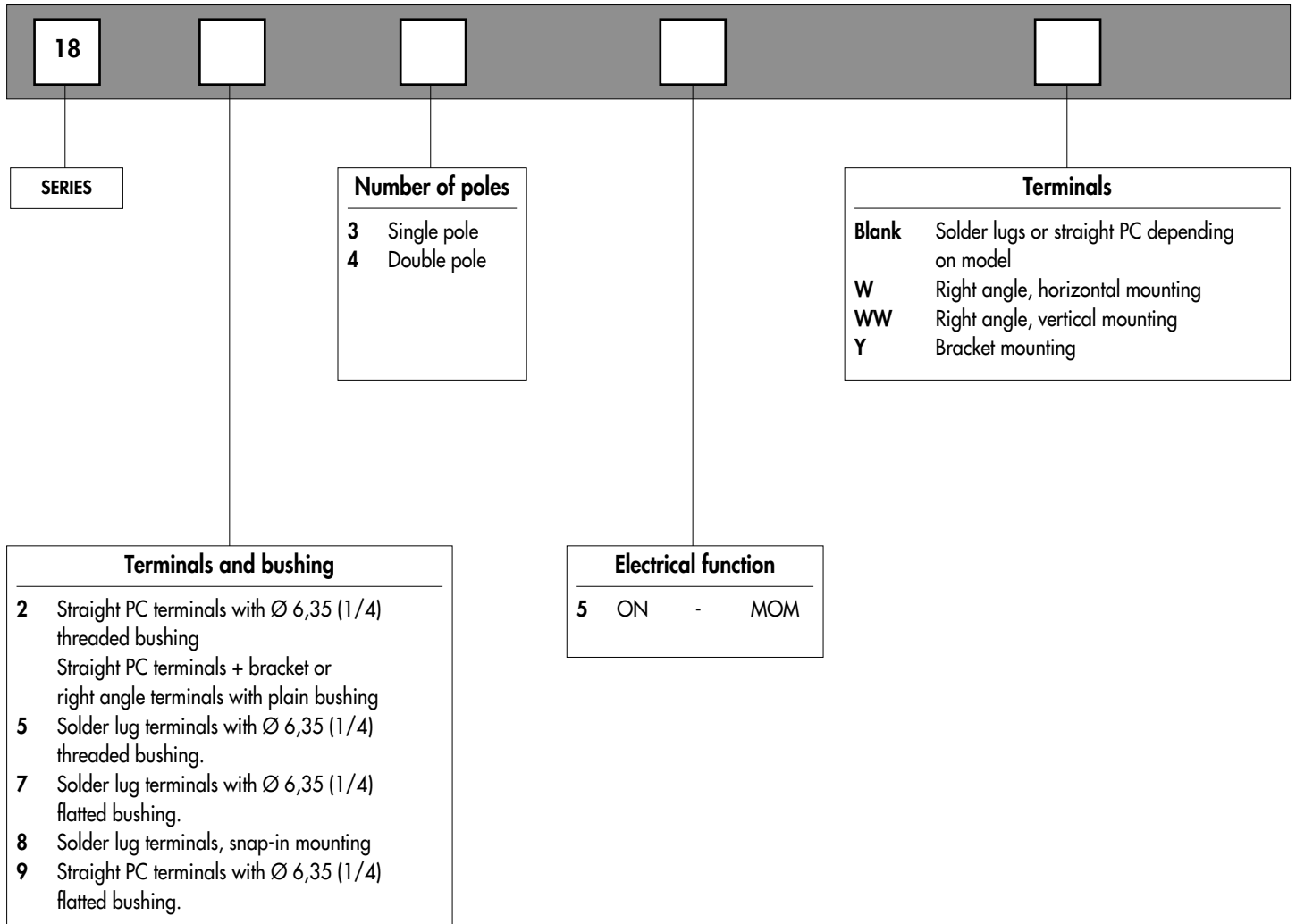


18000 SERIES

SNAP-ACTION MOMENTARY PUSHBUTTON SWITCHES

Overview

MODEL
STRUCTURE



ABOUT THIS SERIES

On the following pages, you will find successively :

- specifications
- model structure of switches
- options in the same order as in above chart

Dimensions : first dimensions are in mm while inches are shown as bracketed numbers.



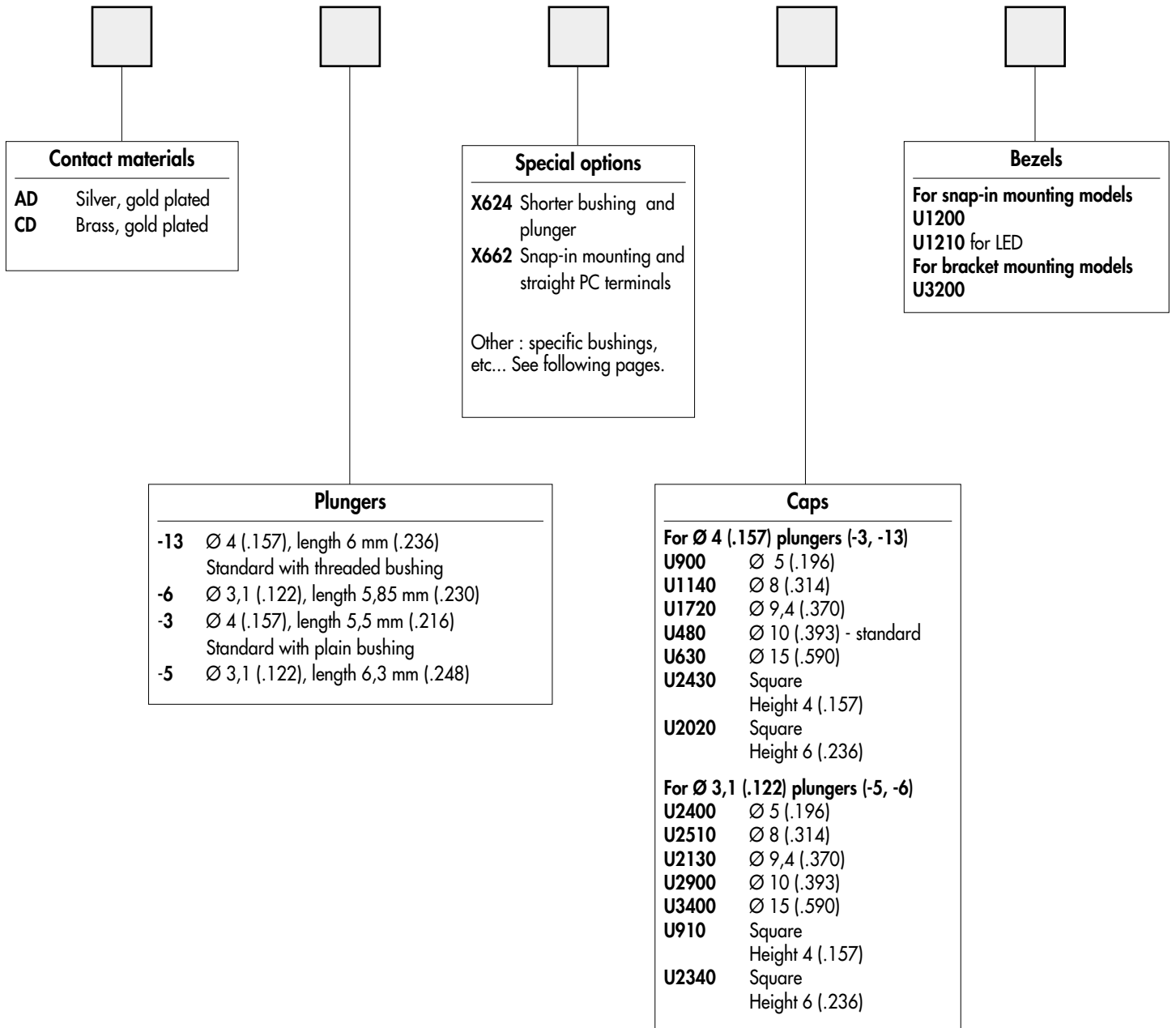
NOTICE : please note that not all combinations of above numbers are available. Refer to the following pages for further information.

18000 SERIES

SNAP-ACTION MOMENTARY PUSHBUTTON SWITCHES

Overview

OPTIONS



Sealing boots are available to protect the switches against dust and water. They are presented in section N.



Mounting accessories : standard hardware supplied with all models with Ø 6,35 (1/4) threaded bushing :
2 hex nuts 8 mm (.314) across flats, 1 locking ring and 1 lockwasher.
Standard and special hardware available are presented in section N.



Packaging unit : 25 pieces for W, WW double pole and 18800 models
50 pieces for other models.

18000 SERIES

SNAP-ACTION MOMENTARY PUSHBUTTON SWITCHES

Specifications

ELECTRICAL SPECIFICATIONS

- Max. current/voltage rating with resistive load :
 - gold plated brass contacts : 100mA - 30VDC
 - gold plated silver contacts : 1A 120VAC, 1A 30VDC
- Initial contact resistance : 50 mΩ max.
- Insulation resistance : 1.000 MΩ min.
- Dielectric strength : 1.000 Vrms 50 Hz min.
- Electrical life : 60.000 cycles at full load

MATERIALS

- Case : PBT
- Actuator : polyamide, glass filled
- Bushing : brass, nickel plated
- Housing : stainless steel
- Bracket : tin plated steel
- Contacts
 - AD** : silver, gold plated
 - CD** : brass, gold plated
- Terminals seal : epoxy

GENERAL SPECIFICATIONS

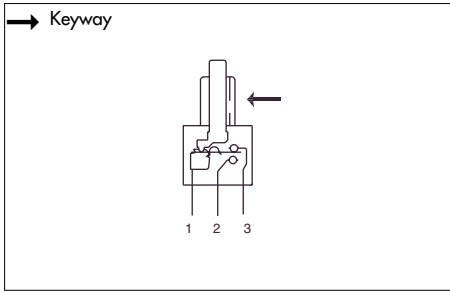
- Total travel : 0,5 mm (.019)
- Torque : 1,25 Nm (.922 Ft.lb) max. applied to nut
- Operating temperature : -30°C to +65°C

18000 SERIES

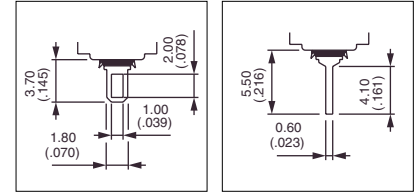
SNAP-ACTION MOMENTARY PUSHBUTTON SWITCHES

Threaded bushing Ø 6,35 (1/4) : 18500 - 18700 - 18200

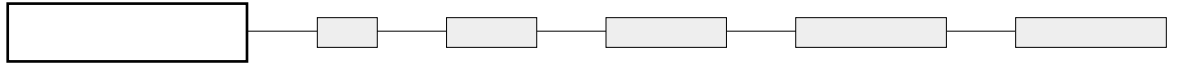
MODEL
STRUCTURE



- Solder lug or straight PC terminals
- Epoxy sealed terminals standard



MODEL
STRUCTURE



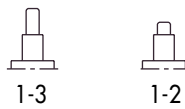
Shown with standard plunger (-13)

Solder lug terminals : 18500



Single pole
18535

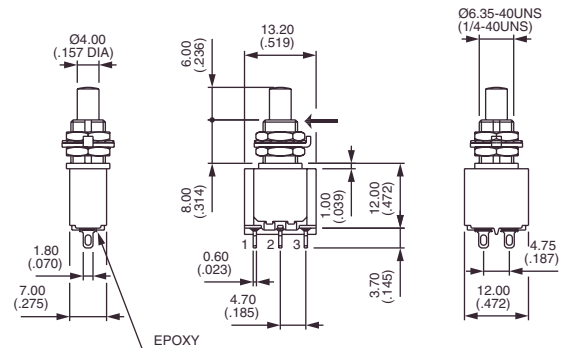
Double pole
18545



ON MOM

ON MOM

→ Keyway

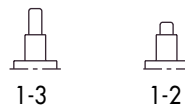


Flatted bushing - solder lug terminals : 18700



Single pole
18735

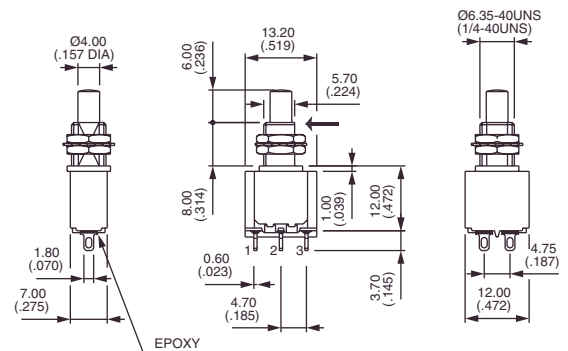
Double pole
18745



ON MOM

ON MOM

→ Flat

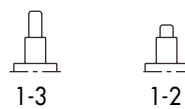


Straight PC terminals : 18200



Single pole
18235

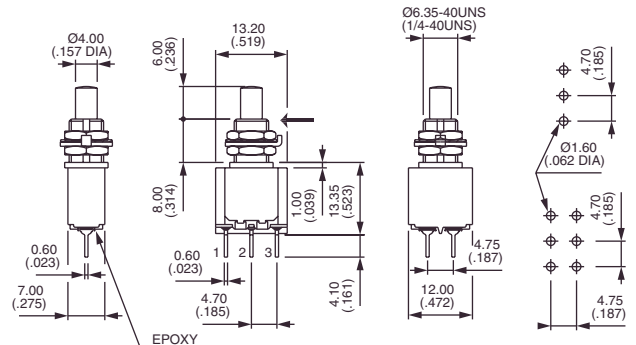
Double pole
18245



ON MOM

ON MOM

→ Keyway



18000 SERIES

SNAP-ACTION MOMENTARY PUSHBUTTON SWITCHES

Threaded bushing $\varnothing 6,35$ (1/4) : 18900 - Snap-in mounting : 18800

MODEL
STRUCTURE

Flatted bushing - straight PC terminals : 18900

→ Flat



Single pole
18935

Double pole
18945



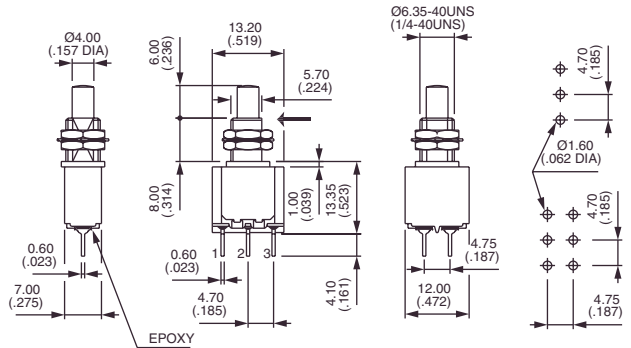
1-3

ON



1-2

MOM



Snap-in mounting - solder lug terminals : 18800

Shown with cap U910 + U1200



Single pole
18835

Double pole
18845



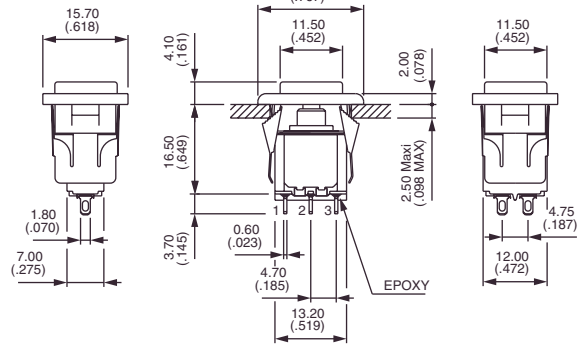
1-3

ON



1-2

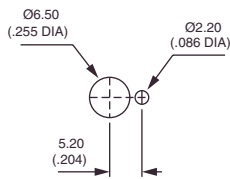
MOM



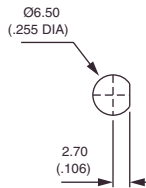
Available with straight PC terminals : see X662 under "Special options".

PANEL CUT-OUT

18500 - 18200

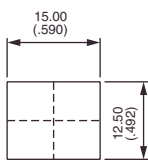


18700 - 18900

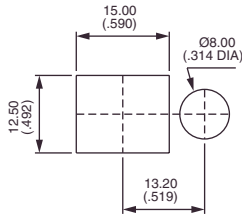


PANEL CUT-OUT

18800



With bezel **U1200**



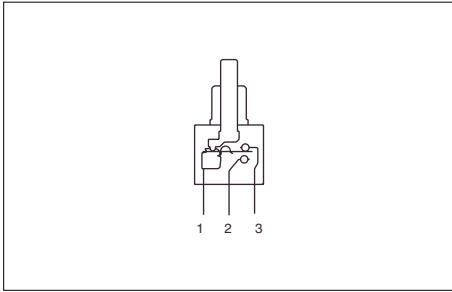
With bezel **U1210** for LED

18000 SERIES

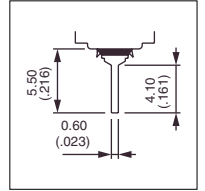
SNAP-ACTION MOMENTARY PUSHBUTTON SWITCHES

Plain bushing : 18200Y - 18200W - 18200WW

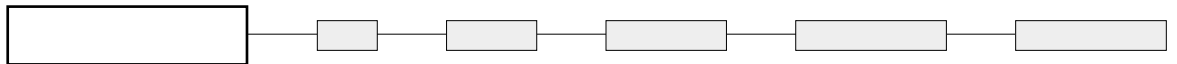
MODEL
STRUCTURE



- Straight PC or right angle terminals
- Epoxy sealed terminals standard



MODEL
STRUCTURE



Shown with standard plunger (-3)

Straight PC terminals - bracket mounting - single pole 18230Y



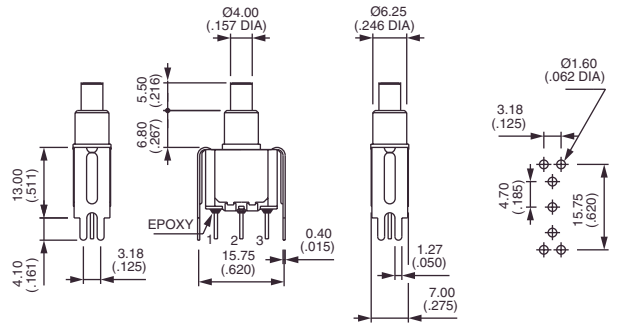
18235Y



ON



MOM



Straight PC terminals - bracket mounting - double pole 18240Y



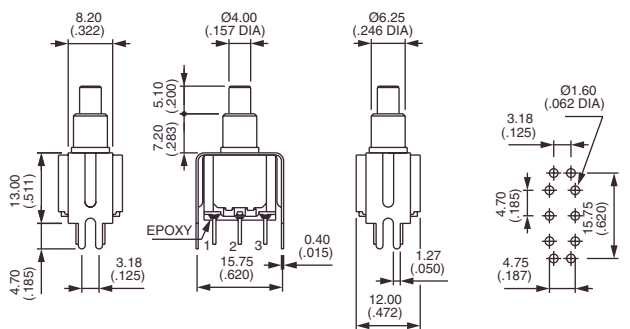
18245Y



ON



MOM



Right angle terminals - horizontal : 18200W



Single pole
18235W



ON



MOM

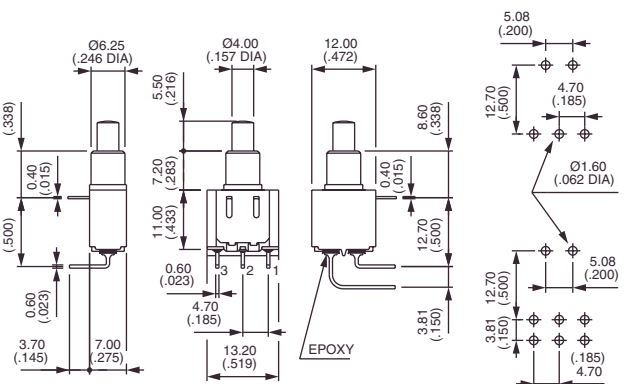
Double pole
18245W



ON



MOM



18000 SERIES

SNAP-ACTION MOMENTARY PUSHBUTTON SWITCHES

OPTIONS



Right angle terminals - vertical : 18200WW



Single pole
18235WW

Double pole
18245WW



1-3

ON

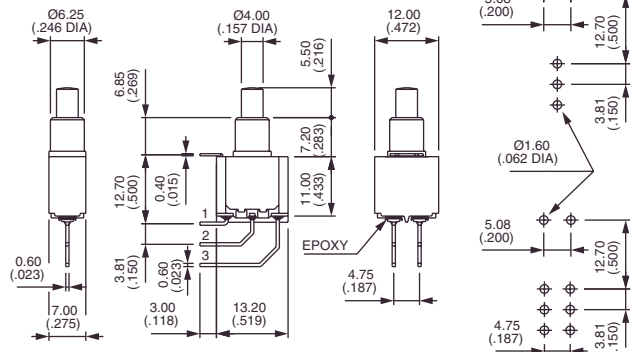


1-2

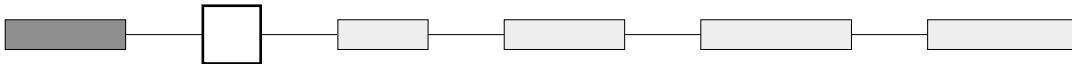
MOM

ON

MOM

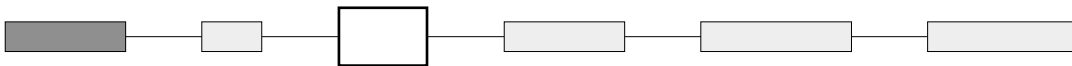


CONTACT MATERIALS

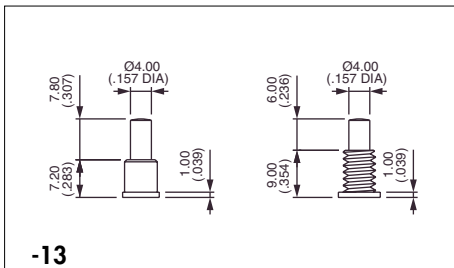


AD Silver, gold plated
CD Brass, gold plated

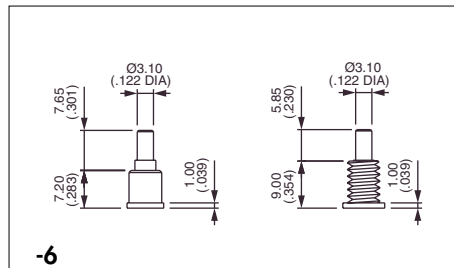
PLUNGERS



Dash compulsory before plunger code.



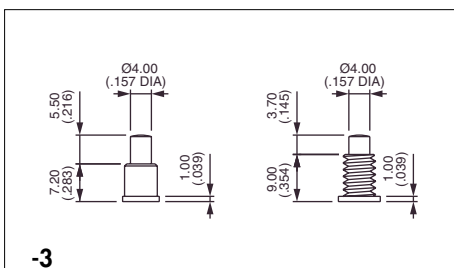
-13
Ø 4 (.157) - standard with threaded bushing



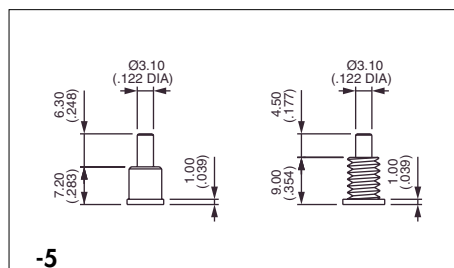
-6
Ø 3,1 (.122)



If plunger not specified, we supply former default option -13.



-3
Ø 4 (.157) - standard with plain bushing



-5
Ø 3,1 (.122)

18000 SERIES


SNAP-ACTION MOMENTARY PUSHBUTTON SWITCHES



SPECIAL OPTIONS

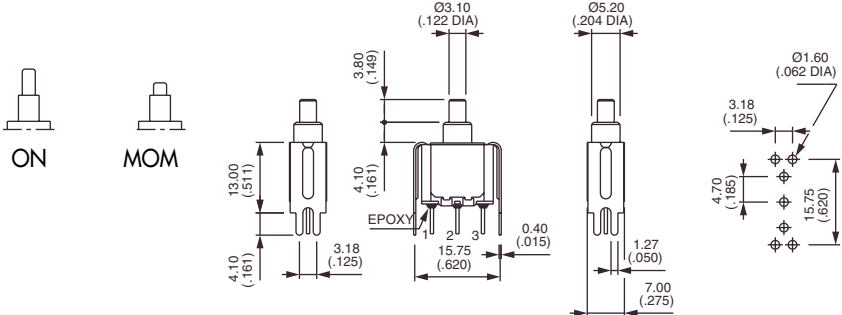



X624 Straight PC terminals - bracket mounting - with shorter bushing and plunger



Single pole
18235Y -2X624

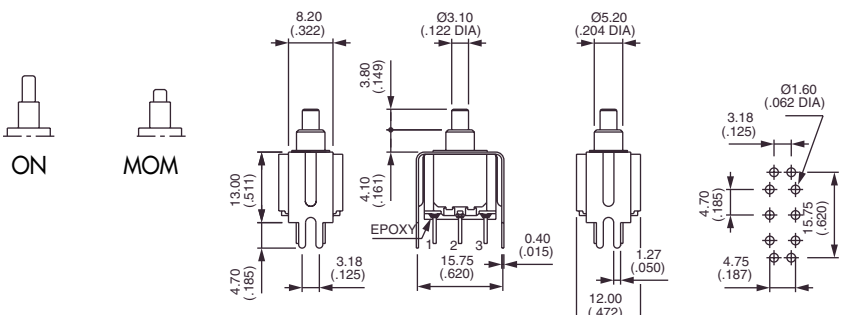
ON MOM






Double pole
18245Y -2X624

ON MOM

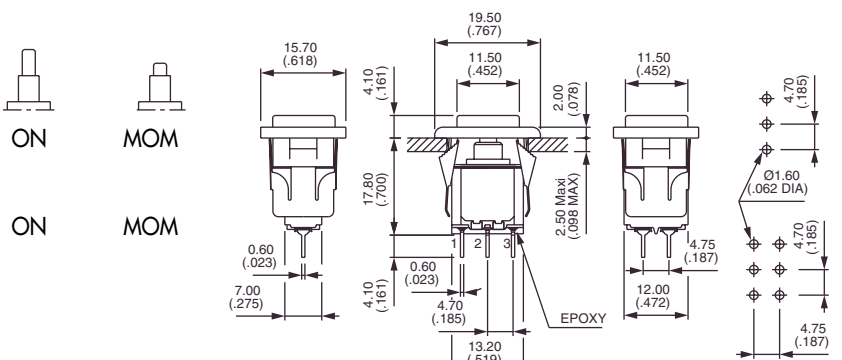



X662 Snap-in mounting - straight PC terminals



Single pole
18835 X662

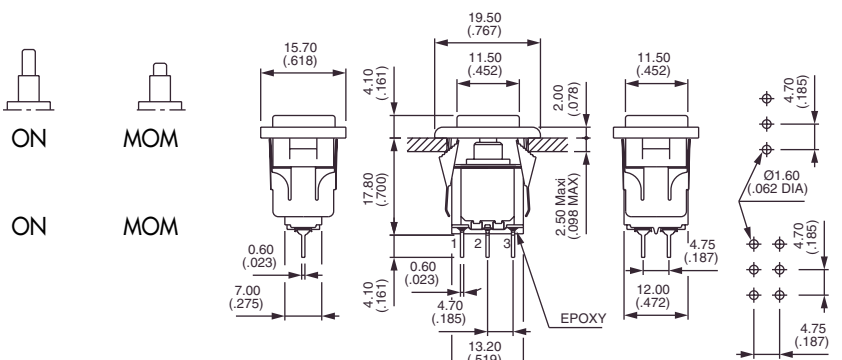
ON MOM





Double pole
18845 X662

ON MOM



18000 SERIES

SNAP-ACTION MOMENTARY PUSHBUTTON SWITCHES

OPTIONS



SPECIAL OPTIONS (continued)



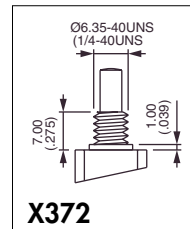
X371 Plain bushing \varnothing 6,25 mm (.246) (instead of standard threaded bushing).

X372 Shorter threaded bushing \varnothing 6,35 (1/4). Height 7 mm (.274).

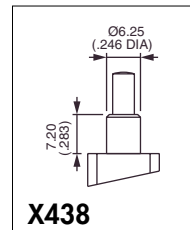
X386 Threaded bushing \varnothing 6,35 mm (1/4) to replace plain bushing on models W - WW and Y.

X438 Plain bushing \varnothing 6,25 mm (.246). Height 7,2 mm (.283) - without shoulder.

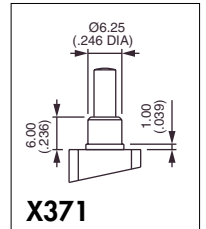
F Tin dipped terminals (for PC terminals only)



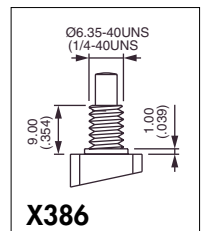
X372



X438



X371



X386

18000 SERIES

SNAP-ACTION MOMENTARY PUSHBUTTON SWITCHES

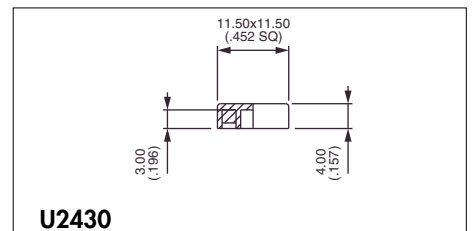
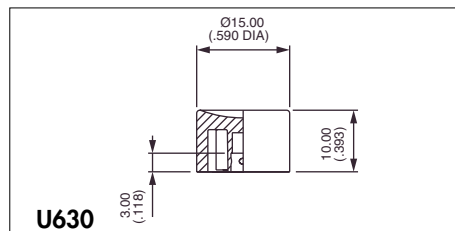
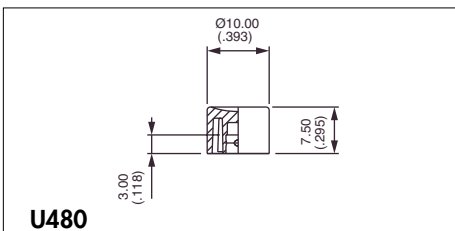
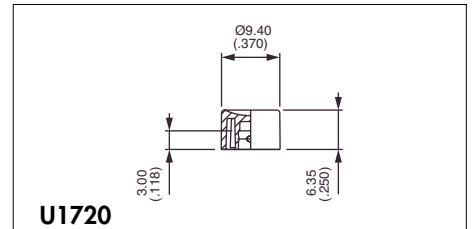
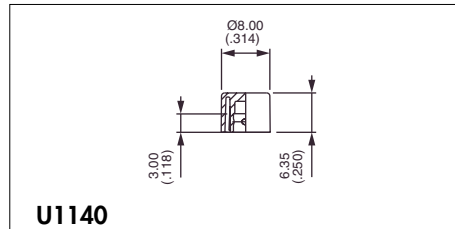
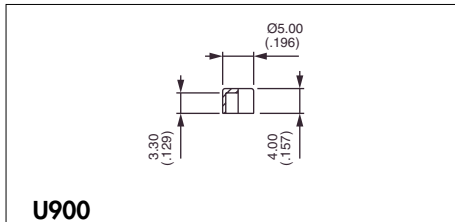
OPTIONS



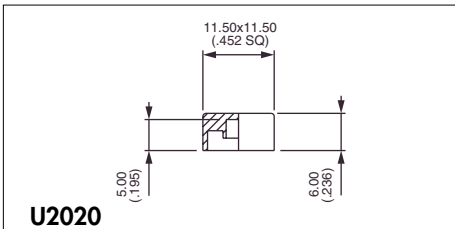
CAPS



Caps for Ø 4 (.157) plungers (-13, -3)



Square

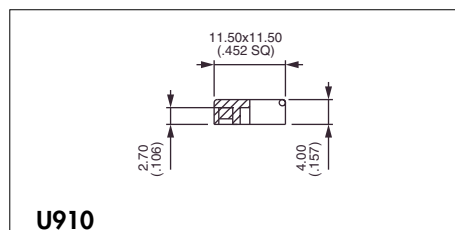
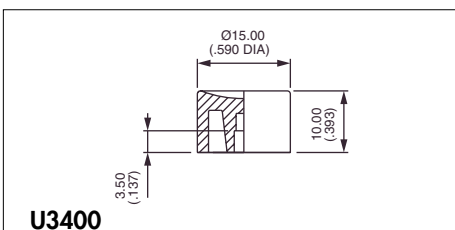
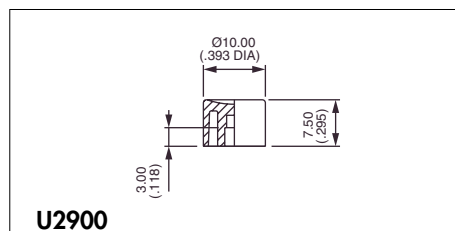
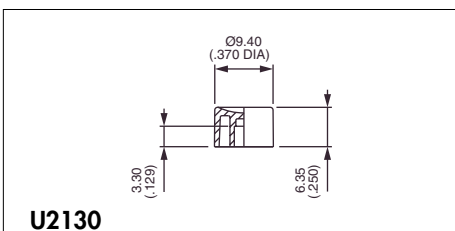
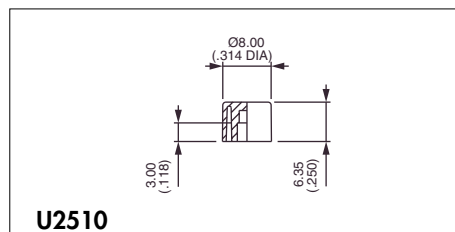
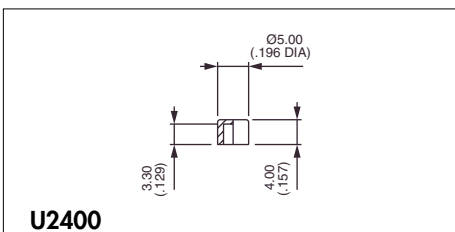


Square

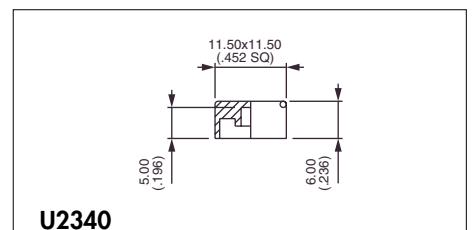
Cap colours
Replace last "0" by number

- 1 blue
- 2 black
- 3 green
- 4 grey
- 5 yellow
- 6 red
- 7 ivory
- 7/1 white
- 9 orange

Caps for Ø 3,1 (.122) plungers (-5, -6)



Square



Square

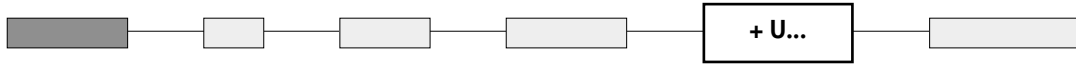
18000 SERIES

SNAP-ACTION MOMENTARY PUSHBUTTON SWITCHES

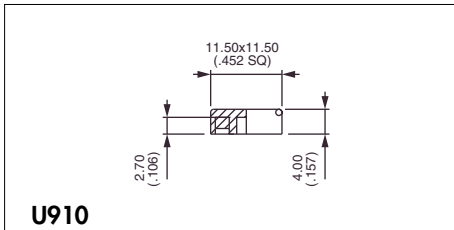
OPTIONS



CAPS (continued)

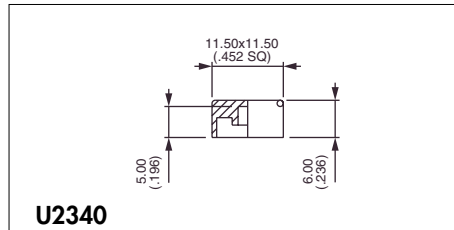


Caps for 18800 and 18800X662 models



U910

Square



U2340

Square

Cap colours

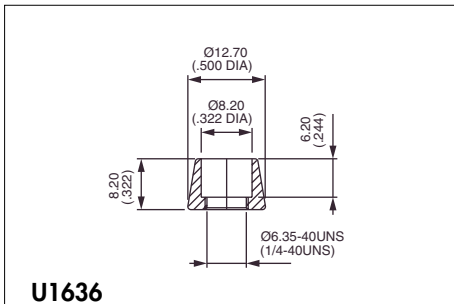
Replace "0" by number

- 1 blue
- 2 black
- 3 green
- 4 grey
- 5 yellow
- 6 red
- 7 ivory
- 7/1 white
- 9 orange

DRESS NUTS

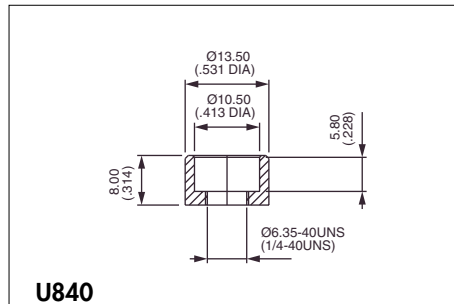
For models with threaded bushing (18500 - 18700 - 18200 - 18900)

Chrome plated



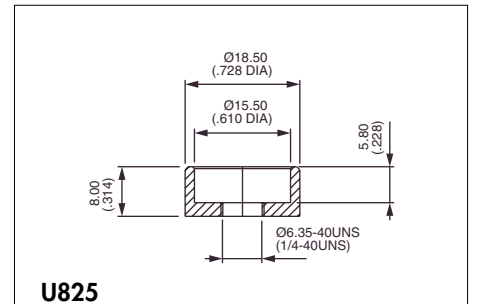
U1636

For caps U1140 and U2510



U840

For cap U480 and U2900



U825

For caps U630 and U3400

Dress nuts are to be ordered separately.

18000 SERIES

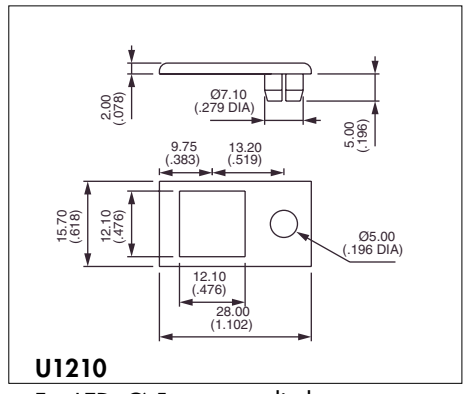
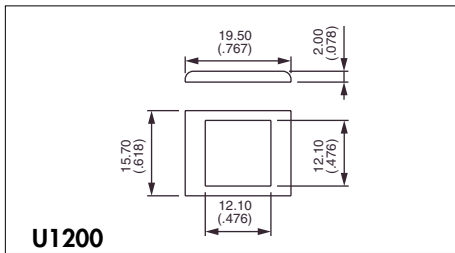
SNAP-ACTION MOMENTARY PUSHBUTTON SWITCHES



BEZELS



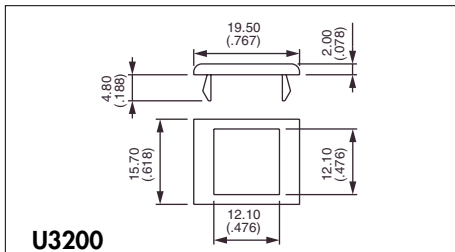
For snap-in models (18800 - 18800X662)



For LED Ø 5 - not supplied

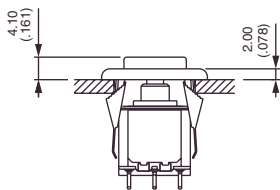
Bezel colours	
Replace last "0" by number	
1	blue
2	black
3	green
4	grey
5	yellow
6	red
7	ivory
7/1	white
9	orange

For bracket mounting models (18200Y and 18200YX624)

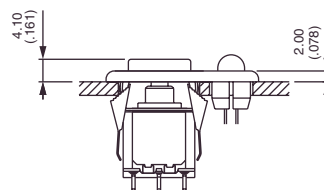


STANDARD PANEL MOUNTING

Panel thickness with bezel : 1 mm (.039) to 2,5 mm (.098)



18800 + U910 + U1200



18800 + U910 + U1210

18000 SERIES

SNAP-ACTION MOMENTARY PUSHBUTTON SWITCHES

For high currents

ELECTRICAL SPECIFICATIONS

- Max. current/voltage rating with resistive load :
3A 250VAC - 6A 125VAC - 7A 30VDC
- Initial contact resistance : 20 mΩ max. at 0,1A 3VDC
- Insulation resistance : 200.000 MΩ min. between terminals and frame
- Dielectric strength : 1.500 Vrms 50 Hz min.
- Electrical life : 60.000 cycles at full load

GENERAL SPECIFICATIONS

- Travel : 0,90 mm (.035) approx.
- Operating temperature : -30°C to +85°C

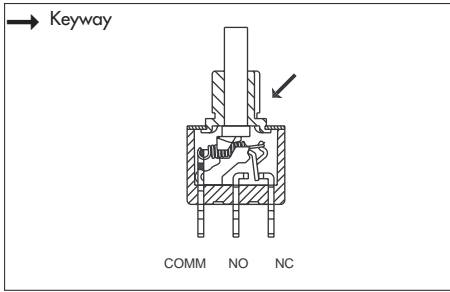
MATERIALS

- Case : diallylphthalate (DAP)
- Actuator : glass filled polyester
- Bushing : brass, nickel plated
- Housing : stainless steel
- Contacts : silver
- Terminal seal : epoxy

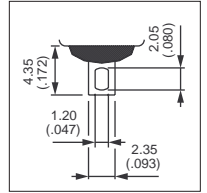
18000 SERIES

SNAP-ACTION MOMENTARY PUSHBUTTON SWITCHES

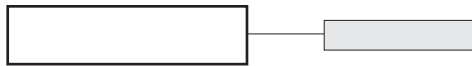
For high currents



- Threaded bushing $\varnothing 6,35$ (1/4)
- Solder lug terminals
- Epoxy sealed terminals



MODEL STRUCTURE

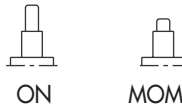


D

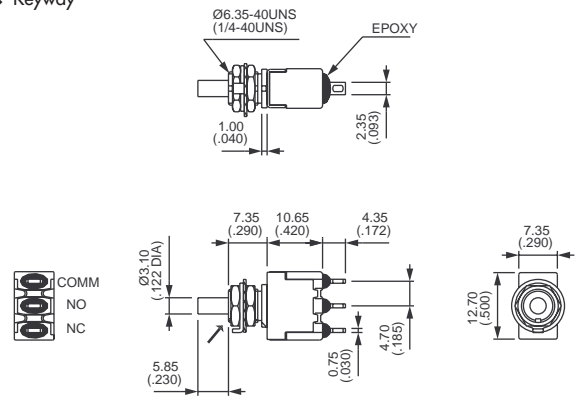
Single pole



18635A



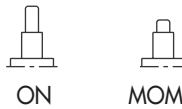
→ Keyway



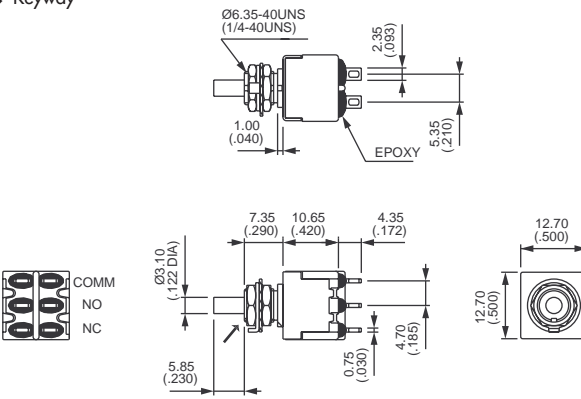
Double pole



18645A



→ Keyway

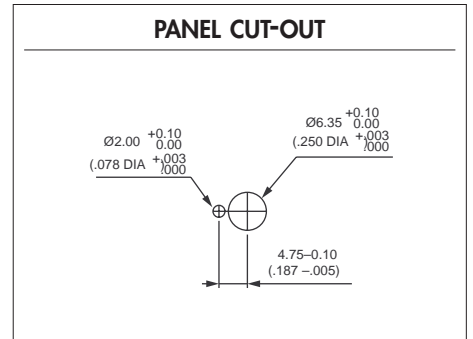


CAPS



- Round
- U2400** $\varnothing 5$ (.196)
 - U2510** $\varnothing 8$ (.314)
 - U2130** $\varnothing 9,4$ (.370)
 - U2900** $\varnothing 10$ (.393)
 - U3400** $\varnothing 15$ (.590)

- Square
- U910** Height 4 (.157)
 - U2340** Height 6 (.236)



For cap dimensions, see "Caps for $\varnothing 3,1$ (.122) plungers" on the preceding pages.