

ASSY,PIN,EUROCARD,TYPE R,LEAD- ✓ ACTIVE

EUROCARD | Eurocard Type R

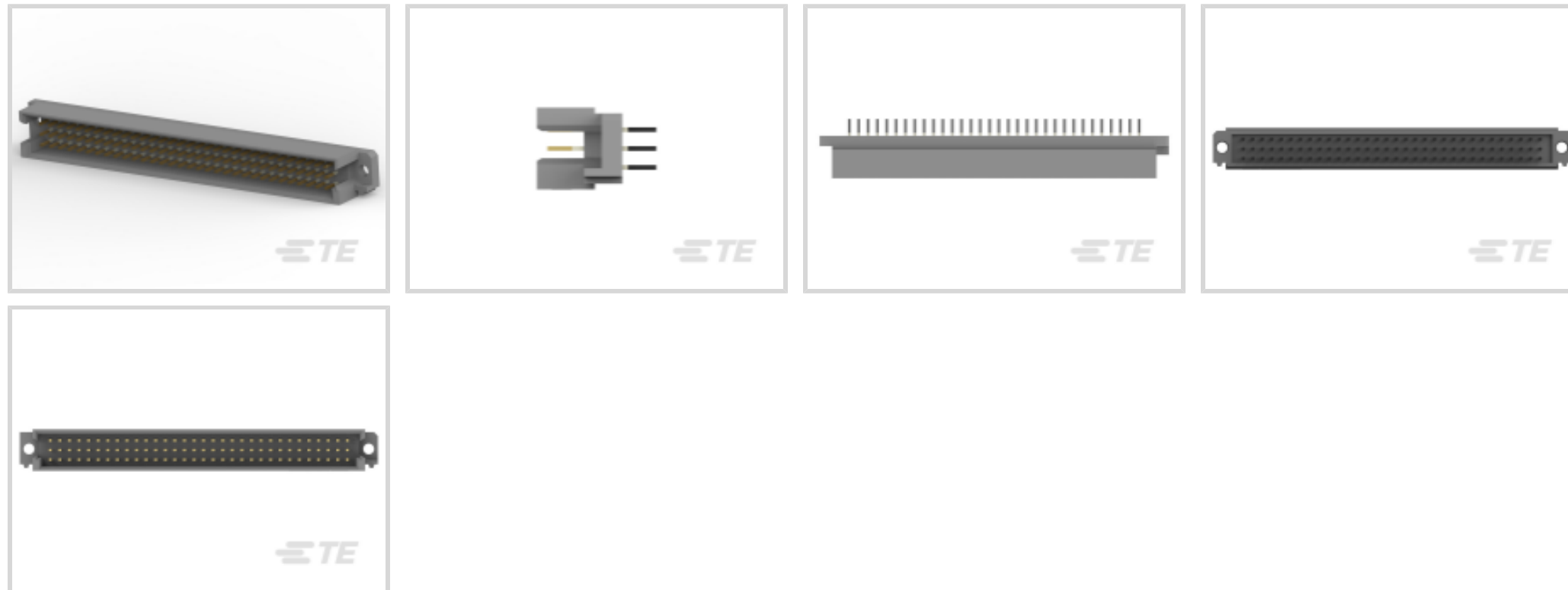
TE Part # 5650470-5

TE Internal #: 5650470-5

[View on TE.com >](#)



Connectors > PCB Connectors > Backplane Connectors > Eurocard Connectors



Connector Style: **Plug**

Connector System: **Board-to-Board**

Number of Positions: **96**

Centerline (Pitch): **2.54 mm [.1 in]**

Termination Post Length: **4.57 mm [.18 in]**

Features

Product Type Features

Post Type	Solder Post
Guides	Without
Connector Type	Connector Assembly
Connector Style	Plug
Connector System	Board-to-Board
Sealable	No
Connector & Contact Terminates To	Printed Circuit Board
Size	Half
DIN Level	II

Configuration Features

PCB Mount Orientation	Vertical
Number of Positions	96
Number of Rows	3
Number of Columns	32
Rows Loaded	A, B, C

Number of Signal Positions	96
----------------------------	----

Board-to-Board Configuration	Vertical
------------------------------	----------

Electrical Characteristics

Operating Voltage	250 VAC
-------------------	---------

Body Features

Color	Gray
-------	------

Contact Features

Contact Termination Area Plating Thickness	2.54 – 5.08 μm [100 – 200 μin]
--	---

Contact Type	Pin
--------------	-----

Contact Termination Area Plating Material	Tin
---	-----

Contact Cross Section	.64 x .64 mm[.025 x .025 in]
-----------------------	------------------------------

Contact Mating Area Plating Material Thickness	.76 μm [30 – 30 μin]
--	---

Contact Mating Area Plating Material	Gold
--------------------------------------	------

PCB Contact Termination Area Plating Material	Tin
---	-----

Contact Base Material	Copper Alloy
-----------------------	--------------

Contact Current Rating (Max)	1.5 A
------------------------------	-------

Termination Features

Interface Type	Eurocard/DIN 41612
----------------	--------------------

Termination Method to Printed Circuit Board	Through Hole - Solder
---	-----------------------

Termination Post Length	4.57 mm[.18 in]
-------------------------	-----------------

Mechanical Attachment

Mating Retention	Without
------------------	---------

Mating Alignment	Without
------------------	---------

PCB Mount Alignment	Without
---------------------	---------

Panel Mount Feature	Without
---------------------	---------

PCB Mount Retention	Without
---------------------	---------

Mounting Angle	Vertical
----------------	----------

Connector Mounting Type	Board Mount
-------------------------	-------------

Housing Features

Housing Material	Polymer - GF
------------------	--------------

Centerline (Pitch)	2.54 mm[.1 in]
--------------------	----------------

Dimensions



Tail Length	4.57 mm[.18 in]
Connector Height	11.4 mm[.45 in]
PCB Thickness (Recommended)	1.57 mm[.062 in]
Row-to-Row Spacing	2.54 mm[.1 in]

Usage Conditions

Operating Temperature Range	-55 – 105 °C[-67 – 221 °F]
-----------------------------	----------------------------

Operation/Application

Circuit Application	Signal
---------------------	--------

Industry Standards

UL Flammability Rating	UL 94V-0
------------------------	----------

Packaging Features

Packaging Method	Box
------------------	-----

Product Compliance

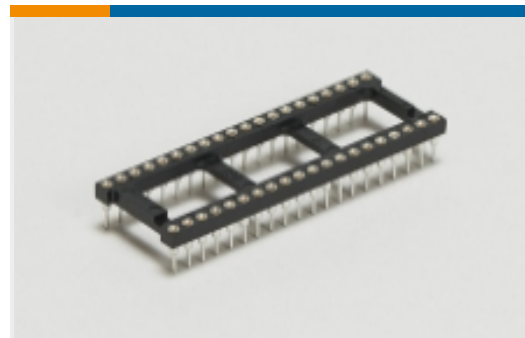
[For compliance documentation, visit the product page on TE.com>](#)

EU RoHS Directive 2011/65/EU	Compliant
EU ELV Directive 2000/53/EC	Compliant
China RoHS 2 Directive MIIT Order No 32, 2016	No Restricted Materials Above Threshold
EU REACH Regulation (EC) No. 1907/2006	ECHAによる現在の候補リスト: 2019年1月(197) 候補リストの表記: 2019年1月(197)
Halogen Content	Not Low Halogen - contains Br or Cl > 900 ppm.
Solder Process Capability	Wave solder capable to 265°C

Product Compliance Disclaimer

This information is provided based on reasonable inquiry of our suppliers and represents our current actual knowledge based on the information they provided. This information is subject to change. The part numbers that TE has identified as EU RoHS compliant have a maximum concentration of 0.1% by weight in homogenous materials for lead, hexavalent chromium, mercury, PBB, PBDE, DBP, BBP, DEHP, DIBP, and 0.01% for cadmium, or qualify for an exemption to these limits as defined in the Annexes of Directive 2011/65/EU (RoHS2). Finished electrical and electronic equipment products will be CE marked as required by Directive 2011/65/EU. Components may not be CE marked. Additionally, the part numbers that TE has identified as EU ELV compliant have a maximum concentration of 0.1% by weight in homogenous materials for lead, hexavalent chromium, and mercury, and 0.01% for cadmium, or qualify for an exemption to these limits as defined in the Annexes of Directive 2000/53/EC (ELV). Regarding the REACH Regulations, TE's information on SVHC in articles for this part number is still based on the European Chemical Agency (ECHA) 'Guidance on requirements for substances in articles'(Version: 2, April 2011), applying the 0.1% weight on weight concentration threshold at the finished product level. TE is aware of the European Court of Justice ruling of September 10th, 2015 also known as O5A (Once An Article Always An Article) stating that, in case of 'complex object', the threshold for a SVHC must be applied to both the product as a whole and simultaneously to each of the articles forming part of its composition. TE has evaluated this ruling based on the new ECHA "Guidance on requirements for substances in articles" (June 2017, version 4.0) and will be updating its statements accordingly.

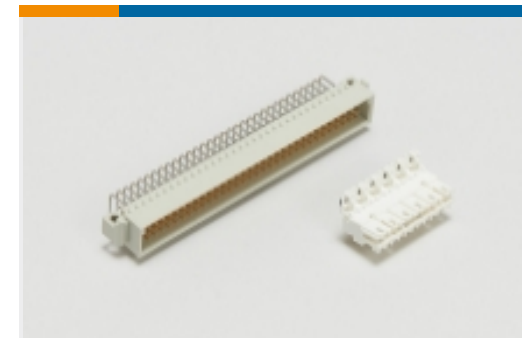
Compatible Parts



DIP Sockets(1)



Eurocard Connectors(79)

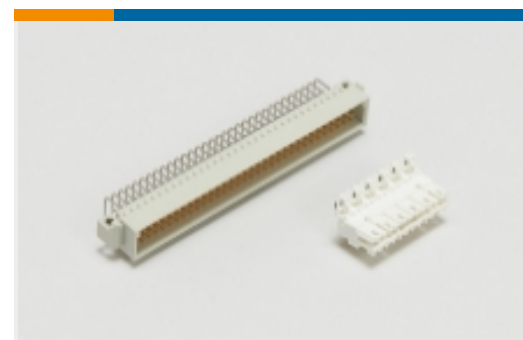


Standard Edge Connectors
(3)

Also in the Series | Eurocard Type R



Eurocard Connectors(92)



Standard Edge Connectors
(1)

Customers Also Bought



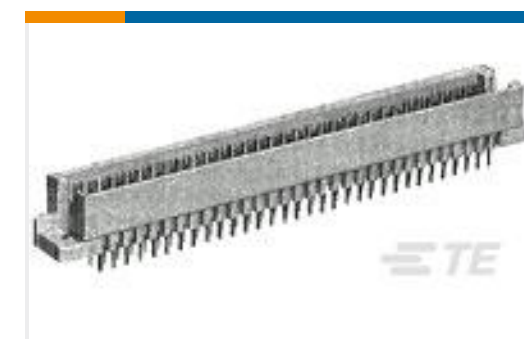
TE Part #650470-5
096 EURO TYPE R PIN ST
ASSY



TE Part #1-5745967-4
25 RCPT SP/FMS SCRLK



TE Part #650473-5
096 EURO TYPE C PIN ST
ASSY



TE Part #5650908-5
ASSY,PIN,EUROCARD,
TYPE R,LEAD-



TE Part #413990-1
STR JACK, SMB, PCB



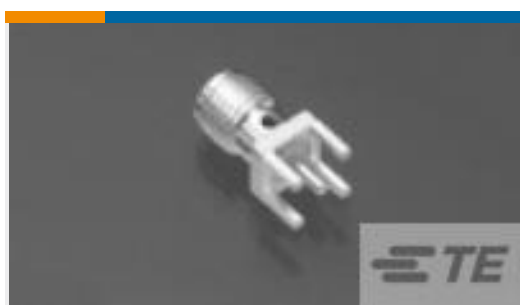
TE Part #5650461-4
ASSY,RECEPTACLE,
EUROCARD,TYPE



TE Part #1-5747872-6
15 PLUG SP/FMS INSRT



TE Part #50935
SOCKET,MIN-SPR AU-AU
SER-1



TE Part #1053354-1
2062 0000 00,SMA PCB
VERT JACK



TE Part #5050863-5
SOCKET,MIN-SPR SN-AU
SER-2

Documents

Product Drawings

[ASSY,PIN,EUROCARD,TYPE R,LEAD-](#)

English

CAD Files

[3D PDF](#)

English

Customer View Model

[ENG_CVM_5650470-5_O.2d_dxf.zip](#)

English

Customer View Model

[ENG_CVM_5650470-5_O.3d_igs.zip](#)

English

Customer View Model

[ENG_CVM_5650470-5_O.3d_stp.zip](#)

English

Product Specifications

[Application Specification](#)

English