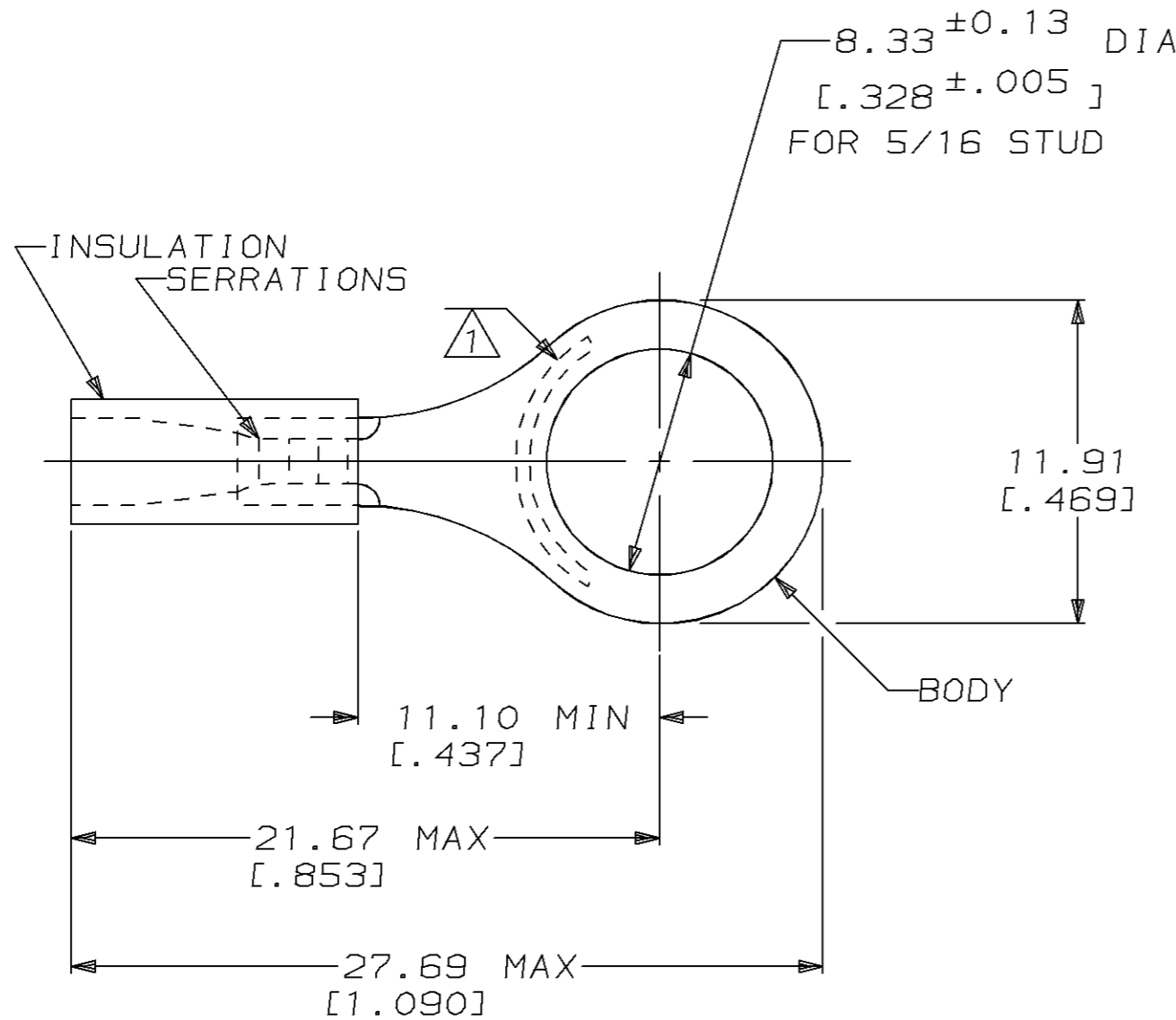


THIS DRAWING IS UNPUBLISHED. RELEASED FOR PUBLICATION, 19 .
 © COPYRIGHT 19 BY AMP INCORPORATED. ALL INTERNATIONAL RIGHTS RESERVED.

LOC	DIST	P	F	ZONE	LTR	DESCRIPTION	DATE	APPD
G	14				M	REV / 0720-0560-95	28MAR95	MLE GN

AMP WIRE RANGE	UL Listed	SR LR7189 Certified
22-16 AWG SOLID OR STRANDED	22-16 AWG SOLID OR STRANDED	22-16 AWG SOLID OR STRANDED



- 1 STAMP AMP 22-18* 1-2 APPROX AS SHOWN
22-16 TERMINALS ARE STAMPED 22-18 IN
ACCORDANCE WITH MILITARY SPEC MIL-T-7928
COMMERCIAL WIRE RANGE IS 22-16
- 2 WIRE INSULATION DIA: 2.67-3.56 [.105-.140]
- 3 TONGUE MATERIAL THK: 0.79±0.05 [.031±.002]
- 4 PVC COLOR: RED
- 5 PVC COLOR: BLACK

OBSOLETE	QUANTITY	PACKAGE TYPE	PART NO
	25	LOOSE PC, BAG	8-34151-5
	100	LOOSE PC, BOX	8-34151-1
	5000	ON TAPE, REEL	2-34151-3
	5000	ON TAPE, REEL	2-34151-1
	1000	LOOSE PIECE	34151

AMP INCORPORATED CUSTOMER SERVICE SYSTEMS		MAX RECOMMENDED OPERATING TEMPERATURE: 90°C [194°F]	DO NOT SCALE PRINT. UNLESS SPECIFIED DIMENSIONS IN mm [INCHES] TOLERANCES ON: 2 PLC DEC ± 0.20 [.008] 3 PLC DEC ± - ANGLES ± -	DR 08/06/92 DK SCHRUM CHK 11/10/92 RE HERSEY APPD 11/10/92 ML ELLIS APPD 11/10/92 M BARNABA PRODUCT SPEC UL 486A APPLICATION SPEC - WEIGHT -	QUANTITY	PACKAGE TYPE	PART NO
					AMP	AMP Incorporated Harrisburg, PA 17105-3608	NAME TERMINAL, RING TONGUE, PLASTI-GRIP™ WIRE SIZE, 22-16 AWG
FOR ADDITIONAL PRODUCT INFORMATION OR COPIES OF DRAWINGS AND TECHNICAL DOCUMENTS	PRODUCT INFORMATION CENTER 1-800-522-6752	VOLTAGE RATING: 600V MAX 1000V (FIXTURE OR SIGNS)	MATERIAL COPPER PER ASTM B-152 SEE TABLE	FINISH TIN PLATE PER MIL-T-10727	SIZE B	CAGE CODE 00779	DRAWING NO C-34151
FOR APPLICATION TOOLING INFORMATION	TOOLING ASSISTANCE CENTER 1-800-722-1111	CIRCULAR MIL AREA: 0.26-1.65mm² [509-3, 260]			SCALE 4:1	SHEET 1 OF 1	
FOR ORDER ENTRY	1-800-526-5142	THIS DRAWING IS A CONTROLLED DOCUMENT FOR AMP INCORPORATED. IT IS SUBJECT TO CHANGE AND THE CONTROLLING ENGINEERING ORGANIZATION SHOULD BE CONTACTED FOR THE LATEST REVISION.					