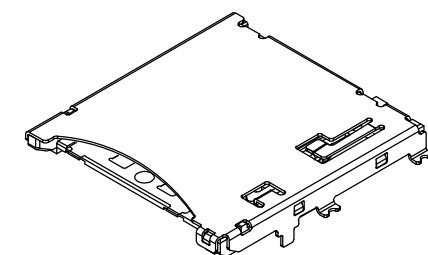
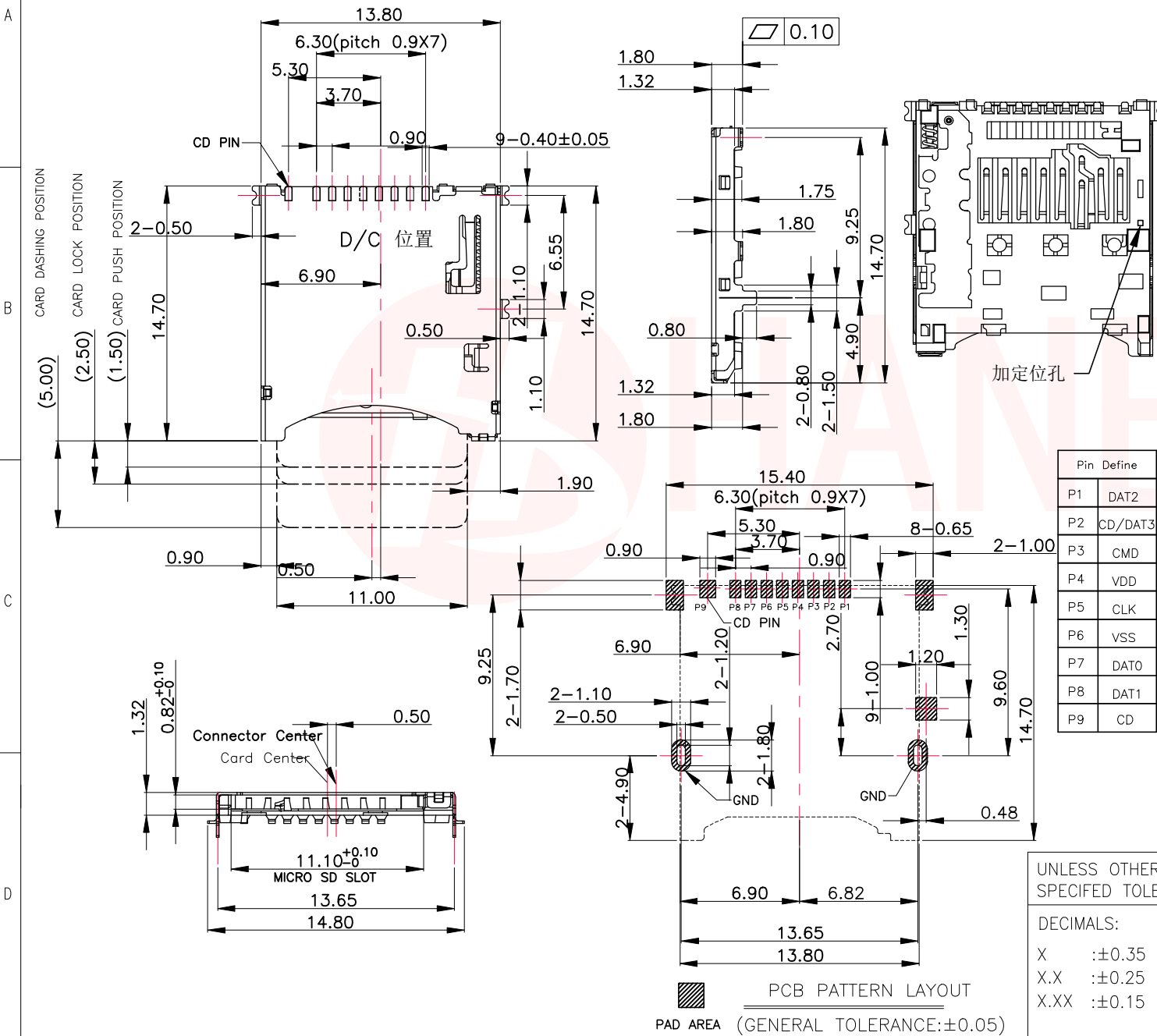




REV.	ECN NO OR DESCRIPTION	REVISED	DATE



Specification

- *Electrical Characteristics:**
 Contact Current Rating:0.5Amperes.
 Dielectric Withstanding Voltage:AC500V r.m.s.
 Insulation Resistance:1000 Megohms
 Minimum At DC 500V.
 Contact Resistance:100 mΩ Maximum.
- *Mechanical Characteristics:**
 Mating Cycles:10,000 Cycles.
- *Environmental:**
 Operating Temperature:-25°C~+85°C.
- *Materials:**
 Insulator:HI-Temp plastic UL 94V-0 Rated.
 Contact:Copper Alloy.
 Shell:Copper Alloy(t=0.15mm).

Pin Define	
P1	DAT2
P2	CD/DAT3
P3	CMD
P4	VDD
P5	CLK
P6	VSS
P7	DAT0
P8	DAT1
P9	CD

UNLESS OTHERWISE SPECIFIED TOLERANCES

DECIMALS: ANGLES:
 X :±0.35 X :±2°
 X.X :±0.25 X.X :±1°
 X.XX :±0.15

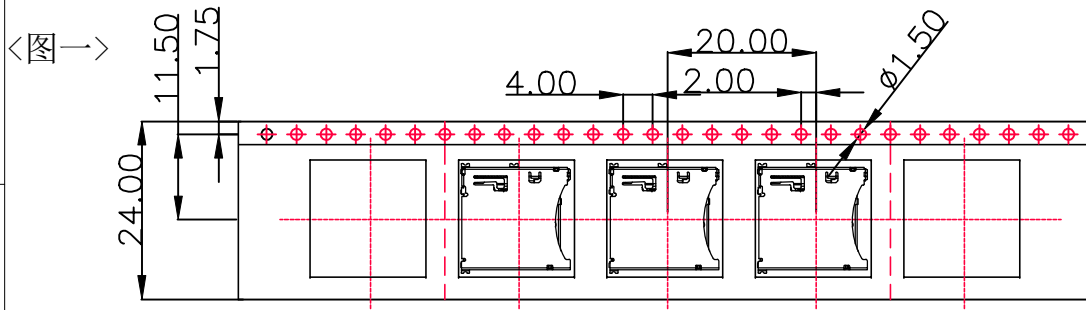
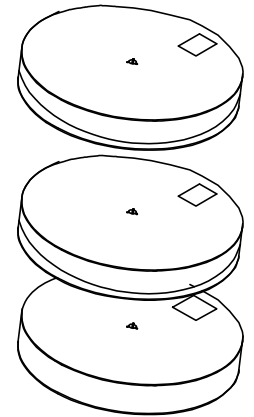
东莞市汉博电子科技有限公司 DONGGUAN HANBO TECHNOLOGY CO., LTD		TITLE MICRO SD 板上 H=1.80mm		
		DWN	xiong	PART NO. MR-1204
CHKD	lee	SCALE:1:1	UNIT: mm	
APVD	wang	SIZE: A4	SHEET:10F 1	
CUSTOMER COPY				



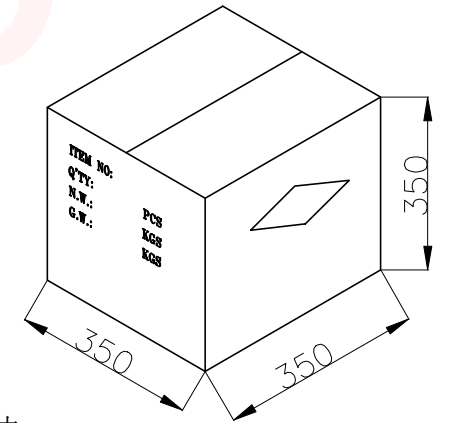
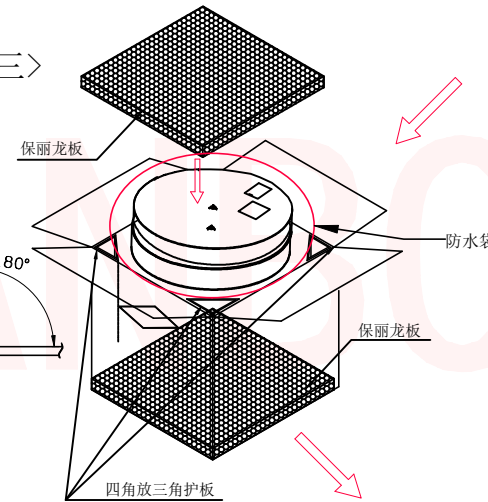
REV.	ECN NO OR DESCRIPTION	REVISED	DATE

<TABLE 1> PACKAGING QUANTITY

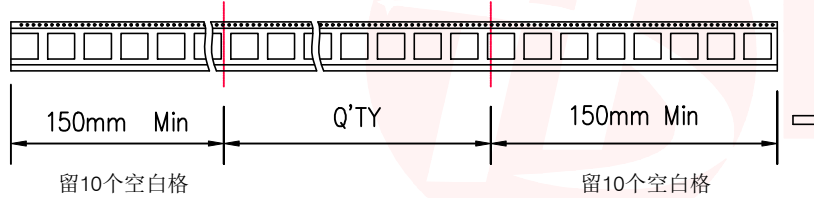
QTY/REEL	REEL/CARTON	QTY/CARTON
900	10	9000



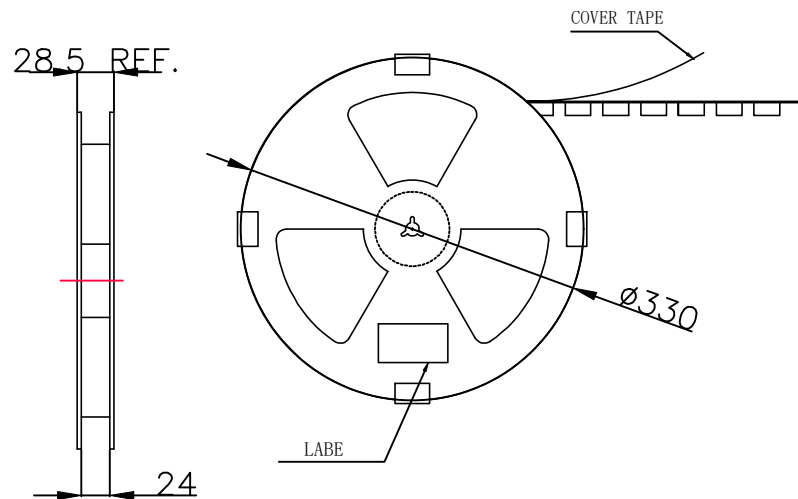
<图三>



收料方向 ← T DIRECTION → 放料方向



<图二>



NOTE:

1. 依<图一>示放置产品于下载中, 每穴放置1PCS产品.
2. 包装机包好后, 在REEL的个等分点贴上胶带, 以防止REEL张开, 每REEL贴1PCS标签, 如<图二>示
3. 包装数量见如<TABLE 1>示
4. 包装成箱见如<图三>示
箱底放保利龙板, 再依次将指定数量的卷装产品用防水袋包好放入箱内, 四角分别放入四个三角护板, 最上层再放上保利龙板.
5. 封箱, 在封好的纸箱上按客户要求写上料号, 数量等

UNLESS OTHERWISE SPECIFIED TOLERANCES

DECIMALS:	ANGLES:
X :±0.35	X :±2°
X.X :±0.25	X.X :±1°
X.XX :±0.15	



东莞市汉博电子科技有限公司
DONGGUAN HANBO TECHNOLOGY CO., LTD

TITLE	MICRO SD 板上 H=1.80mm		
DWN	xiong	PART NO. MR-1204	
CHKD	lee	SCALE: 1:1	UNIT: mm
APVD	wang	SIZE: A4	SHEET: 10F 1
			REV: A4

CUSTOMER COPY