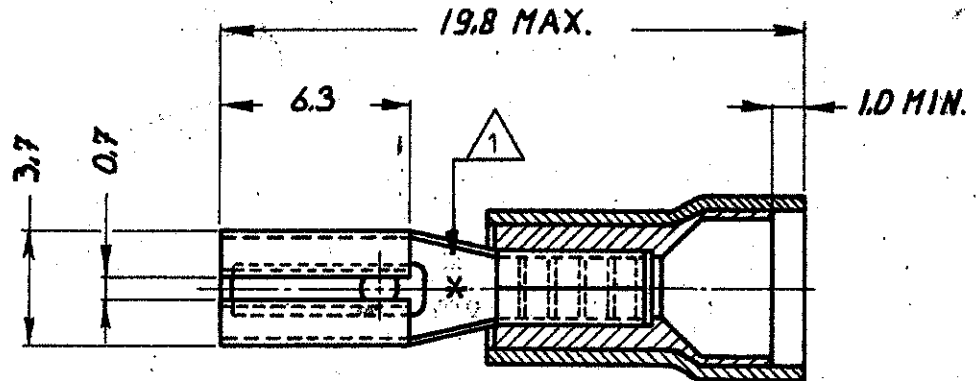


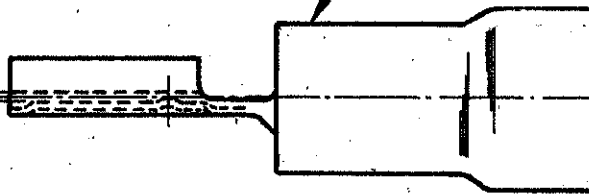
DRAWING MADE IN AMERICAN PROJECTION

NUMBER C-165617



FITS 0.8 TAB THK.

BLUE P.V.C INSULATION.



① ASTERISK \* FOR PH.BRONZE VERSION ONLY.

\*\* FOR WIRES I.D UP TO 1.5 mm<sup>2</sup> CONTACT AMP

③ OBSOLETE W/O REPLACEMENT

DIMENSIONS IN M.M. DO NOT SCALE PRINT

2-165617-5	165617-5	TAPE MOUNTED
2-165617-2	165617-2	TAPE MOUNTED
③ 165617-4	PH. BRONZE	GOLD
③ 165617-6	PH. BRONZE	SILVER
165617-5	PH. BRONZE	TIN
③ 165617-4	BRASS	GOLD
③ 165617-3	BRASS	SILVER
165617-2	BRASS	TIN

**CUSTOMER COPY FOR REFERENCE ONLY**

©1981 BY AMP-HOLLAND N.V. ALL RIGHTS RESERVED A-MP PRODUCTS COVERED BY PATENTS AND/OR PATENTS PENDING.



AMP-HOLLAND N.V.  
's-Hertogenbosch

WIRE-RANGE	INSUL.-RANGE	FIRST USED
1.5-2.5 mm <sup>2</sup> **	4.3mm. MAX.	

ORDER NO.	MATERIAL	PLATING
DR B. WILLEMSSEN	DATE NOV. 81	DE
CHK B. Jans	DATE 18-11-81	APP
		DATE 19-11-81

SCALE	SIZE	NO	REV
N.O.S.	A	C-165617	G
NAME 110 SERIES PIDG FASTON RECEPTACLE			