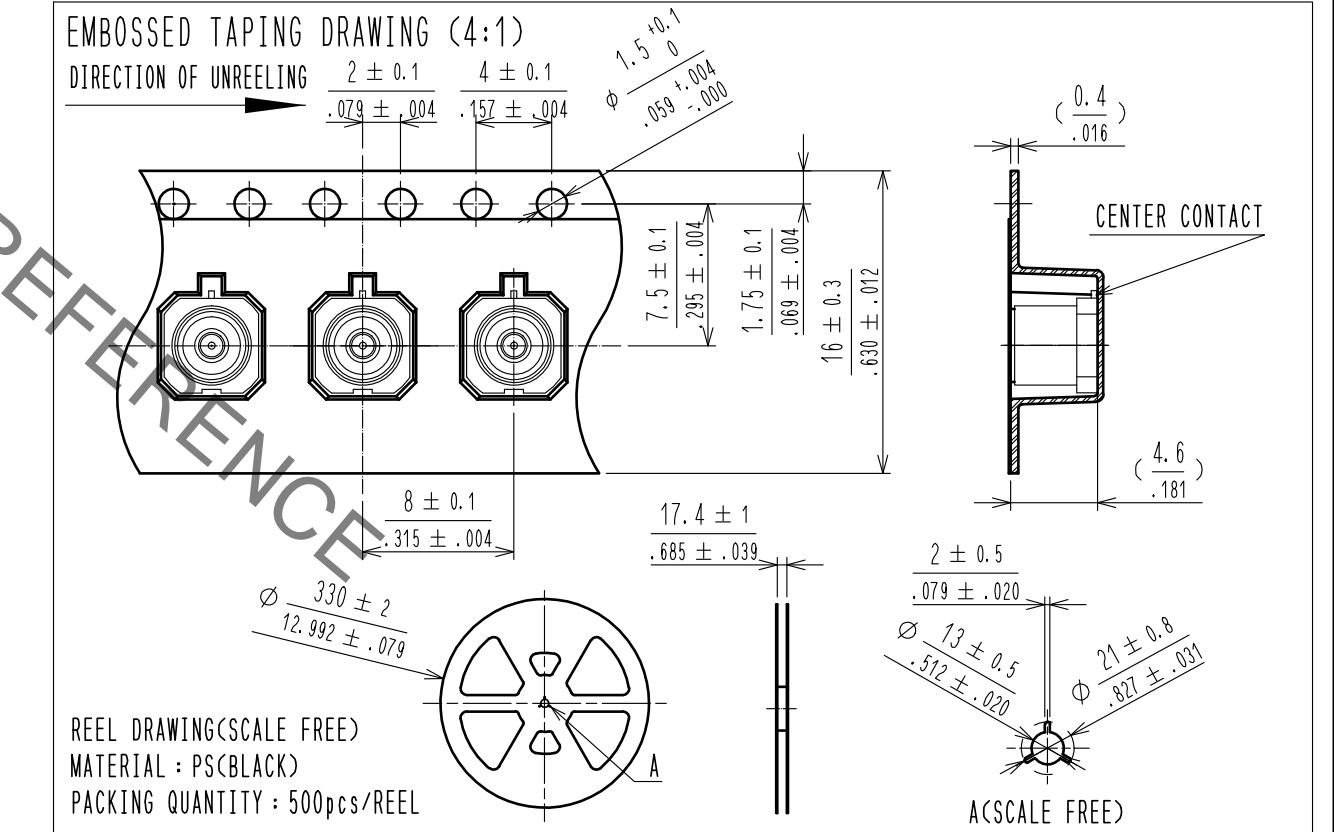
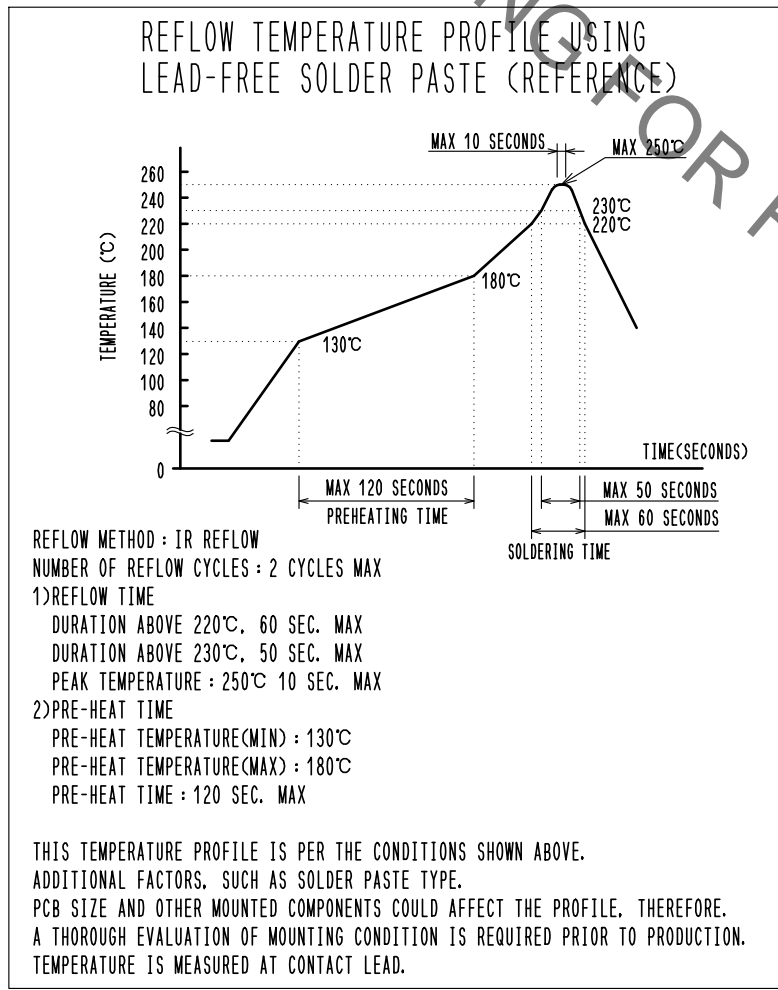
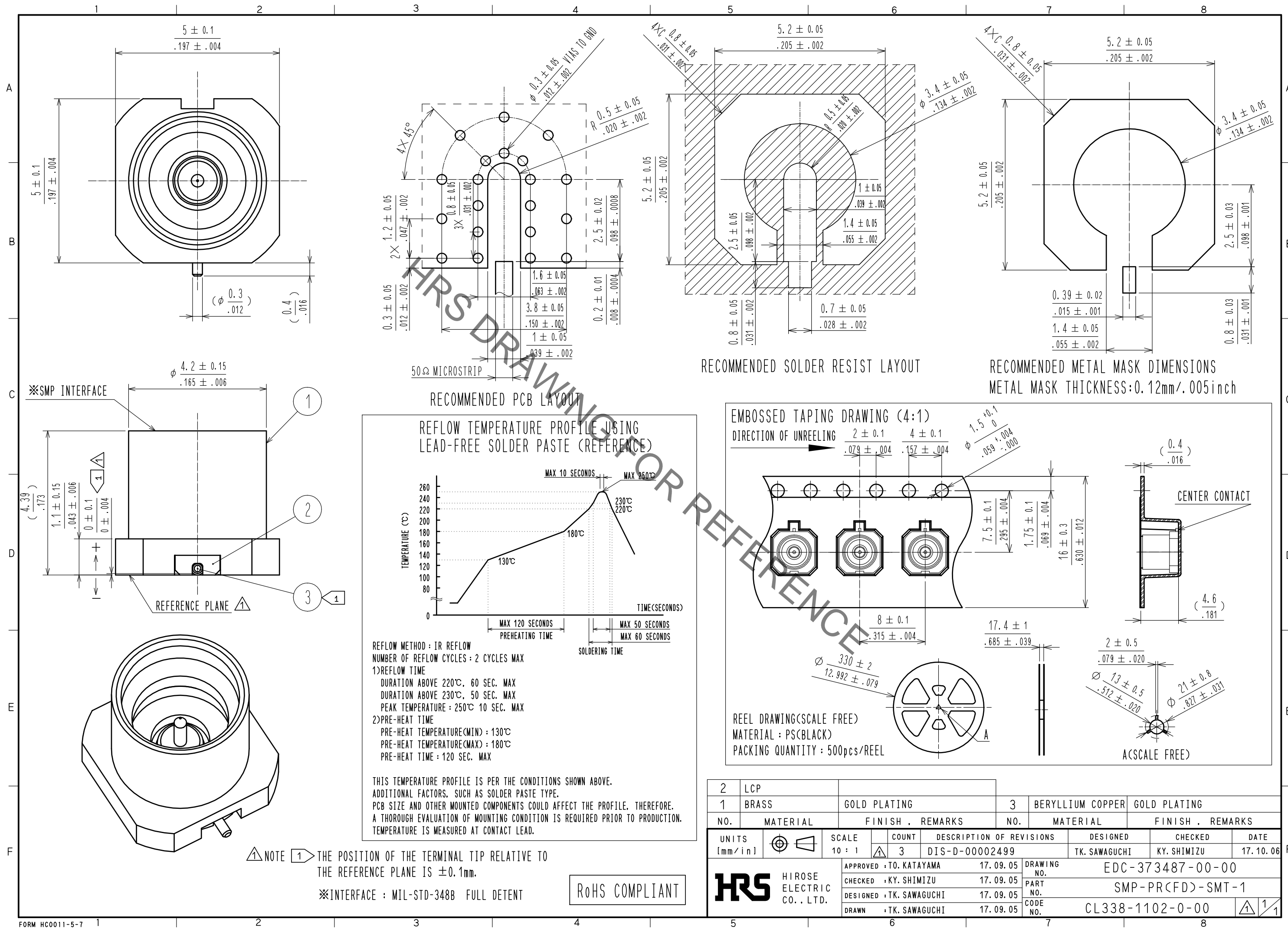


Dec.1.2021 Copyright 2021 HIROSE ELECTRIC CO., LTD. All Rights Reserved.
 In case of consideration for using Automotive equipment / device which demand high reliability, kindly contact our sales window correspondents.



NOTE 1 THE POSITION OF THE TERMINAL TIP RELATIVE TO THE REFERENCE PLANE IS ±0.1mm.

※INTERFACE : MIL-STD-348B FULL DETENT

ROHS COMPLIANT

2	LCP		3	BERYLLIUM COPPER	GOLD PLATING				
1	BRASS	GOLD PLATING							
NO.	MATERIAL	FINISH	REMARKS	NO.	MATERIAL	FINISH	REMARKS		
UNITS	[mm/in]	SCALE	10 : 1	COUNT	3	DESCRIPTION OF REVISIONS	DESIGNED	CHECKED	DATE
APPROVED : TO. KATAYAMA 17.09.05				DRAWING NO.		EDC-373487-00-00			
CHECKED : KY. SHIMIZU 17.09.05				PART NO.		SMP-PR(FD)-SMT-1			
DESIGNED : TK. SAWAGUCHI 17.09.05				CODE NO.		CL338-1102-0-00			
DRAWN : TK. SAWAGUCHI 17.09.05									

Mouser Electronics

Authorized Distributor

Click to View Pricing, Inventory, Delivery & Lifecycle Information:

[Hirose Electric:](#)

[SMP-PR\(FD\)-SMT-1](#)