

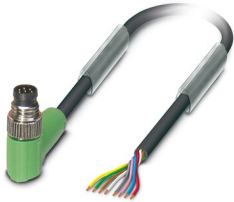
# Sensor/actuator cable - SAC-8P-M 8MR/ 1,5-PUR



1404182

<https://www.phoenixcontact.com/gb/products/1404182>

Please be informed that the data shown in this PDF document is generated from our Online Catalog. Please find the complete data in the user documentation. Our General Terms of Use for Downloads are valid.



Sensor/actuator cable, 8-position, PUR halogen-free, black-gray RAL 7021, Plug angled M8, on free cable end, cable length: 1.5 m

## Your advantages

- Easy and safe: 100% electrically tested plug-in components
- Save space – with high-pos. connectors

## Commercial Data

Item number	1404182
Packing unit	1 pc
Minimum order quantity	1 pc
Sales Key	BF1BGA
Product Key	BF1BGA
Catalog Page	Page 207 (C-2-2019)
GTIN	4046356680950
Weight per Piece (including packing)	54.9 g
Weight per Piece (excluding packing)	53 g
Customs tariff number	85444290
Country of origin	PL

## Technical Data

### Product properties

Product type	Sensor/actuator cable
Number of positions	8
Application	Standard
No. of cable outlets	1
Shielded	no
Coding	A - standard

### Insulation characteristics

Degree of pollution	3
---------------------	---

### Material specifications

Flammability rating according to UL 94	HB
Material of grip body	TPU, hardly inflammable, self-extinguishing
Contact material	CuSn
Contact surface material	Ni/Au
Contact carrier material	TPU GF
Cable gland material	Zinc die-cast, nickel-plated

### Electrical properties

Contact resistance	$\leq 5 \text{ m}\Omega$
Insulation resistance	$\geq 100 \text{ M}\Omega$
Nominal voltage $U_N$	30 V AC
	30 V DC
Nominal current $I_N$	1.5 A
Protective circuit	unwired

### Connection data

#### Conductor connection

Tightening torque	0.2 NmM8 connectors
-------------------	---------------------

### Connector

Insertion/withdrawal cycles	$\geq 100$
-----------------------------	------------

#### Header 1

Head design	Plug
Head cable outlet	angled
Head thread type	M8

#### Header 2

Head design	free cable end
-------------	----------------

### LED signaling

# Sensor/actuator cable - SAC-8P-M 8MR/ 1,5-PUR



1404182

<https://www.phoenixcontact.com/gb/products/1404182>

Status display	No
Status display present	No

## Cable / line

Cable length	1.5 m
UL AWM Style	20549
Number of positions	8
Shielded	no
Cable type	PUR halogen-free black [PUR]
Conductor structure signal line	18x 0.10 mm
AWG signal line	26
Conductor cross section	8x 0.14 mm <sup>2</sup> (Signal line)
Wire diameter incl. insulation	1 mm ±0.02 mm (Signal line)
External cable diameter	5.1 mm ±0.15 mm
Outer sheath, material	PUR
External sheath, color	black-gray RAL 7021
Conductor material	Bare Cu litz wires
Material wire insulation	PP
Single wire, color	white, brown, green, yellow, gray, pink, blue, red
Thickness, insulation	≥ 0.21 mm (Signal line) ≥ 0.38 mm (Outer cable sheath)
Overall twist	8 wires around filler to the core
Length of twist, overall twist	58 mm
Max. conductor resistance	139 Ω/km (at 20 °C)
Insulation resistance	1 GΩ*km (at 20 °C)
Nominal voltage, cable	≤ 300 V AC
Test voltage	≥ 3000 V AC (Spark test)
Smallest bending radius, fixed installation	25.5 mm
Smallest bending radius, movable installation	51 mm
Max. bending cycles	4000000
Halogen-free	in accordance with DIN VDE 0472 part 815 in accordance with DIN EN 50267-2-1
Flame resistance	according to UL 758/1581 (horizontal) in accordance with UL 758/1581 FT2
Resistance to oil	According to DIN EN 60811-2-1, 168 h at 100°C
Other resistance	hydrolysis and microbe resistant Resistant to salt water Low adhesion abrasion-resistant partly UV-resistant in accordance with DIN EN ISO 4892-2-A
Ambient temperature (operation)	-40 °C ... 80 °C (cable, fixed installation) -25 °C ... 80 °C (Cable, flexible installation)

## Cable structure

# Sensor/actuator cable - SAC-8P-M 8MR/ 1,5-PUR



1404182

<https://www.phoenixcontact.com/gb/products/1404182>

Cable type	PUR halogen-free black
Outer sheath, material	PUR
External sheath, color	black-gray RAL 7021

## Ambient conditions

Degree of protection	IP65
	IP67
	IP68
Ambient temperature (operation)	-25 °C ... 85 °C (Plug / socket)

## Standards and regulations

M8

Standards/specifications	IEC 61076-2-104
--------------------------	-----------------

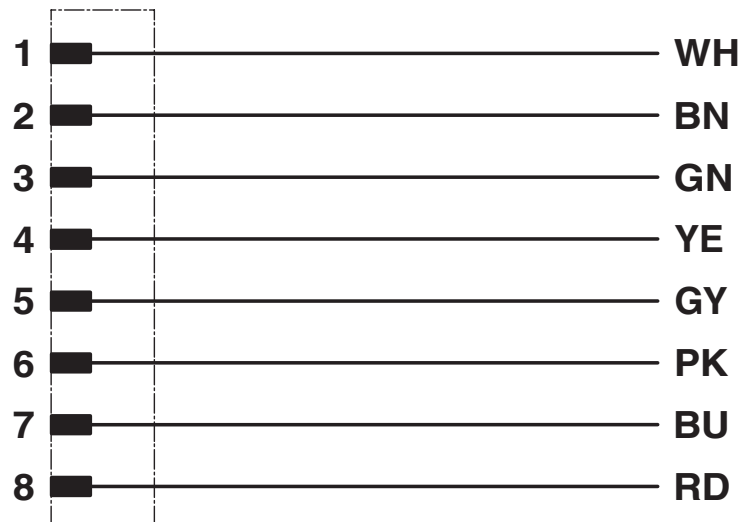
# Sensor/actuator cable - SAC-8P-M 8MR/ 1,5-PUR

1404182

<https://www.phoenixcontact.com/gb/products/1404182>

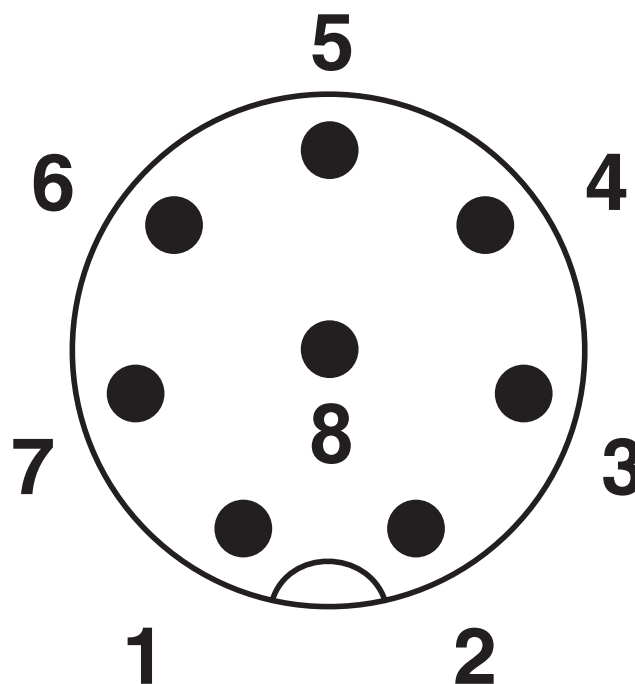
## Drawings

Circuit diagram



Contact assignment of the M8 plug

Schematic diagram



M8 plug pin assignment, 8-pos., view of pin side

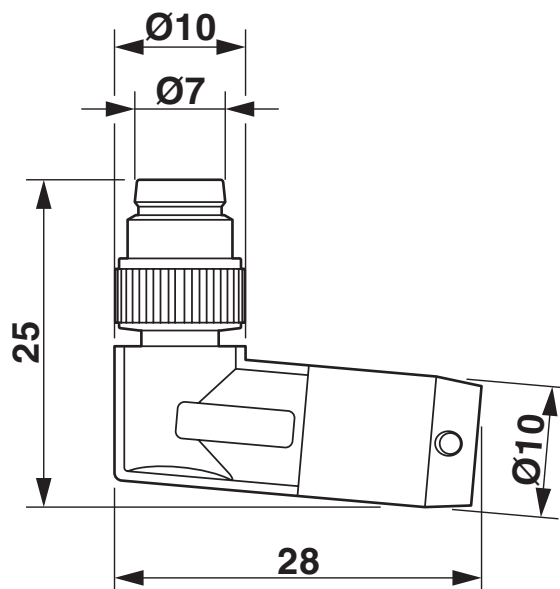
# Sensor/actuator cable - SAC-8P-M 8MR/ 1,5-PUR

1404182

<https://www.phoenixcontact.com/gb/products/1404182>



Dimensional drawing



M8 x 1 male plug, angled version

# Sensor/actuator cable - SAC-8P-M 8MR/ 1,5-PUR



1404182

<https://www.phoenixcontact.com/gb/products/1404182>

## Approvals



### EAC

Approval ID: RU C-DE.BL08.B.00286



### UL Listed

Approval ID: FILE E 221474

	Nominal Voltage $U_N$	Nominal Current $I_N$	Cross Section AWG	Cross Section $\text{mm}^2$
	30 V	1.5 A	-	-



### cUL Listed

Approval ID: FILE E 221474

	Nominal Voltage $U_N$	Nominal Current $I_N$	Cross Section AWG	Cross Section $\text{mm}^2$
	30 V	1.5 A	-	-



### EAC

Approval ID: RU D-DE.HB35.B.00387

### cULus Listed

# Sensor/actuator cable - SAC-8P-M 8MR/ 1,5-PUR



1404182

<https://www.phoenixcontact.com/gb/products/1404182>

## Classifications

### ECLASS

ECLASS-9.0	27060311
ECLASS-10.0.1	27060311
ECLASS-11.0	27060311

### ETIM

ETIM 8.0	EC001855
----------	----------

### UNSPSC

UNSPSC 21.0	26121600
-------------	----------



# Sensor/actuator cable - SAC-8P-M 8MR/ 1,5-PUR



1404182

<https://www.phoenixcontact.com/gb/products/1404182>

## Environmental Product Compliance

REACH SVHC	Lead 7439-92-1
China RoHS	Environmentally Friendly Use Period = 50 years
	For information on hazardous substances, refer to the manufacturer's declaration available under "Downloads"

1404182

<https://www.phoenixcontact.com/gb/products/1404182>

## Accessories

### Sealing cap

Sealing cap - PROT-M 8 FS-PA-CHAIN - 1430857

<https://www.phoenixcontact.com/gb/products/1430857>

M8 sealing cap made of plastic with fixing band for sensor cables, for M8 plugs



---

### Torque screwdriver

Torque screwdriver - TSD 02 SAC - 1208487

<https://www.phoenixcontact.com/gb/products/1208487>

Torque screwdriver, with preset torque of 0.2 Nm and 4 mm hexagonal drive for M8 connectors



# Sensor/actuator cable - SAC-8P-M 8MR/ 1,5-PUR



1404182

<https://www.phoenixcontact.com/gb/products/1404182>

## Tool

Tool - SAC BIT M8-D10 - 1208461

<https://www.phoenixcontact.com/gb/products/1208461>



Nut for assembling M8 connectors with longitudinal knurl and a knurl diameter of 10 mm, for 4 mm hexagonal drive

---

## Insert label

Insert label - PABA WH/23 - 1013779

<https://www.phoenixcontact.com/gb/products/1013779>



Insert label, Strip, white, unlabeled, can be labeled with: CMS-P1-PLOTTER, mounting type: slide-on, cable diameter range: 1.5 ... 35 mm, lettering field size: 23 x 4 mm, Number of individual labels: 20

# Sensor/actuator cable - SAC-8P-M 8MR/ 1,5-PUR

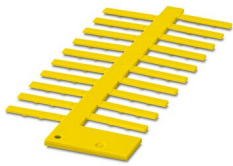
1404182

<https://www.phoenixcontact.com/gb/products/1404182>

## Insert label

Insert label - PABA YE/23 - 1013782

<https://www.phoenixcontact.com/gb/products/1013782>



Insert label, Strip, yellow, unlabeled, can be labeled with: CMS-P1-PLOTTER, mounting type: slide-on, cable diameter range: 1.5 ... 35 mm, lettering field size: 23 x 4 mm, Number of individual labels: 20

---

## Marker pen

Marker pen - B-STIFT - 1051993

<https://www.phoenixcontact.com/gb/products/1051993>



Marker pen, for manual labeling of unprinted Zack strips, smear-proof and waterproof, line thickness 0.5 mm

# Sensor/actuator cable - SAC-8P-M 8MR/ 1,5-PUR

1404182

<https://www.phoenixcontact.com/gb/products/1404182>

## Diagonal cutter

Diagonal cutter - CUTFOX-S VDE - 1212207

<https://www.phoenixcontact.com/gb/products/1212207>



Diagonal cutter for hard (piano wire) and soft wires, VDE 1000 V AC/1500 V DC tested

---

## Stripping tool

Stripping tool - WIREFOX SAC-1 - 1212757

<https://www.phoenixcontact.com/gb/products/1212757>



Stripping pliers, for halogen-free sensor/actuator cables (SAC cables), with PUR and PVC insulation, from Ø of 3.2 to 4.4 mm, any stripping length

# Sensor/actuator cable - SAC-8P-M 8MR/ 1,5-PUR

1404182

<https://www.phoenixcontact.com/gb/products/1404182>

## Stripping tool

Stripping tool - WIREFOX SAC - 1212623

<https://www.phoenixcontact.com/gb/products/1212623>



Stripping pliers, for halogen-free sensor/actuator cables (SAC cables), with PUR and PVC insulation, from Ø of 4.4 to 7 mm, any stripping length

---

## Stripping tool

Stripping tool - WIREFOX 10 - 1212150

<https://www.phoenixcontact.com/gb/products/1212150>



Stripping tool, for cables and conductors from 0.02 - 10 mm<sup>2</sup>, self-adjusting, stripping length of up to 18 mm, cutting capacity of up to 10 mm<sup>2</sup> stranded/1.5 mm<sup>2</sup> solid, replaceable stripping blade

# Sensor/actuator cable - SAC-8P-M 8MR/ 1,5-PUR

1404182

<https://www.phoenixcontact.com/gb/products/1404182>

## Protective hose adapter

Protective hose adapter - WP-CTA POM 13,0 BK - 1422884

<https://www.phoenixcontact.com/gb/products/1422884>



Protective hose adapter, for corrugated hoses with a nominal size of 13 (10 x 13), corrugated in parallel

---

## Protective hose

Protective hose - WP-PA HF 13,0 BK - 3240681

<https://www.phoenixcontact.com/gb/products/3240681>



Protective hose, material: PA 6, filament: without, UV-resistant: yes, flexible, degree of protection: IP68, color: black, inflammability class in acc. with UL 94: V0, inner diameter: 10 mm, Total length: 50 m

# Sensor/actuator cable - SAC-8P-M 8MR/ 1,5-PUR



1404182

<https://www.phoenixcontact.com/gb/products/1404182>

## Protective hose

Protective hose - WP-PA HF-HB 13,0 BK - 3240839

<https://www.phoenixcontact.com/gb/products/3240839>



Protective hose, material: PA 6, filament: without, UV-resistant: yes, flexible, degree of protection: IP68, color: black, inflammability class in acc. with UL 94: HB, inner diameter: 10 mm, Total length: 50 m

---

Phoenix Contact 2022 © - all rights reserved

<https://www.phoenixcontact.com>

PHOENIX CONTACT Ltd

Halesfield 13, Telford

Shropshire, TF7 4PG

01952 681700

[info@phoenixcontact.co.uk](mailto:info@phoenixcontact.co.uk)