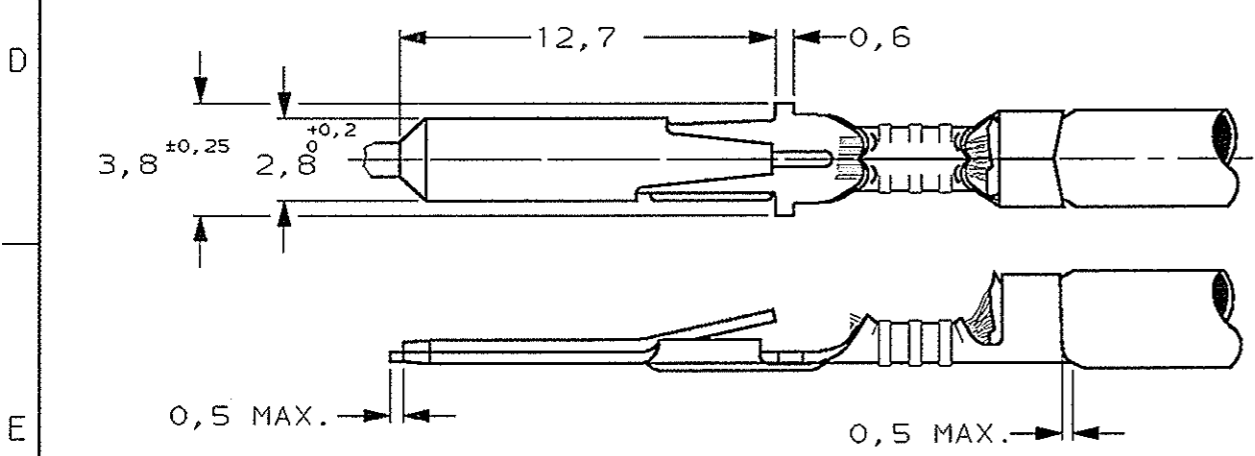
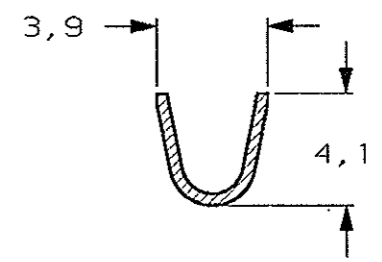
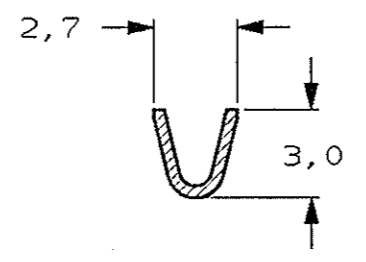


SECTION A-A

SECTION B-B



OBSOLETE

OTTONE PRE STAGNATO (PRE TIN PLATED)	OTTONE (BRASS)	160887-4	K
NUDO (UNPLATED)	OTTONE (BRASS)	160887-3	J
PRE STAGNATO (PRE-TIN PLATED)	BRONZO FOSF. (PHOS. BRONZE)	<del>160887-2</del>	L
NUDO (UNPLATED)	BRONZO FOSF. (PHOS. BRONZE)	160887-1	J
FINITURA / COLORE (FINISH / COLOUR)	MATERIALE (MATERIAL)	NUMERO (P/N)	REV

CUSTOMER DWG. FOR REFERENCE ONLY      DISEGNO PER CLIENTE SOLO PER RIFERIMENTO

THIS DRAWING IS UNPUBLISHED      RELEASE FOR PUBLICATION      19  
 © COPYRIGHT 19 BY TE INCORPORATED, HARRISBURG, PA. ALL INTERNATIONAL RIGHT RESERVED. TE PRODUCTS MAY BE COVERED BY U.S. AND FOREIGN PATENT AND/OR PATENT PENDING

TOLLERANZE: SE NON DIVERSAMENTE SPECIFICATO (TOLERANCES, UNLESS OTHERWISE SPECIFIED) ± 0.3  
 ANGOLI (ANGLES) ± 2°

DIAM. ISOLANTE (INS. DIA. RANGE) 1.4-2.3      RANGO FILO (WIRE RANGE) mm2 0.5-1.5      SCALA (SCALE) 4:1  
**TE** TE Connectivity

L1 ECR-10-022530      KK      DIS. H. YAALI (DR.) 16 JULY 2003

L ECR-06-024596      HY      CONT. C. TARTARI

K REVISED FOR ECR06-2481      A.V.      APP. (APP.)

J REVISED & REDRAWN ET00-0128-03      HY      DIS. DATA (COR.)

DESCRIZIONE (DESCRIPTION) FASTIN-FASTON® Connector, 2.8 mm series RECEPTACLE CONTACT  
 LOC. SIZE NUMERO (DWG NO) I A3 C-160887      REV. FOSLTO (SHEET) L1 1 DI (OP) 1

1) STATO DO FORNITURA (SUPPLY CONDITION)



SENDO DI USCITA DEL TERMINALE DALLA BOBINA (DIRECTION OFF TOP OF REEL)

2) SPECIFICA DI PRODOTTO 108-20020. (PRODUCT SPEC. 108-20020).  
 SPECIFICA DI AGRAFFATURA 114-20021. (APPLICATION SPEC. 114-20021).

# Mouser Electronics

Authorized Distributor

Click to View Pricing, Inventory, Delivery & Lifecycle Information:

[TE Connectivity:](#)

[160887-4](#)