
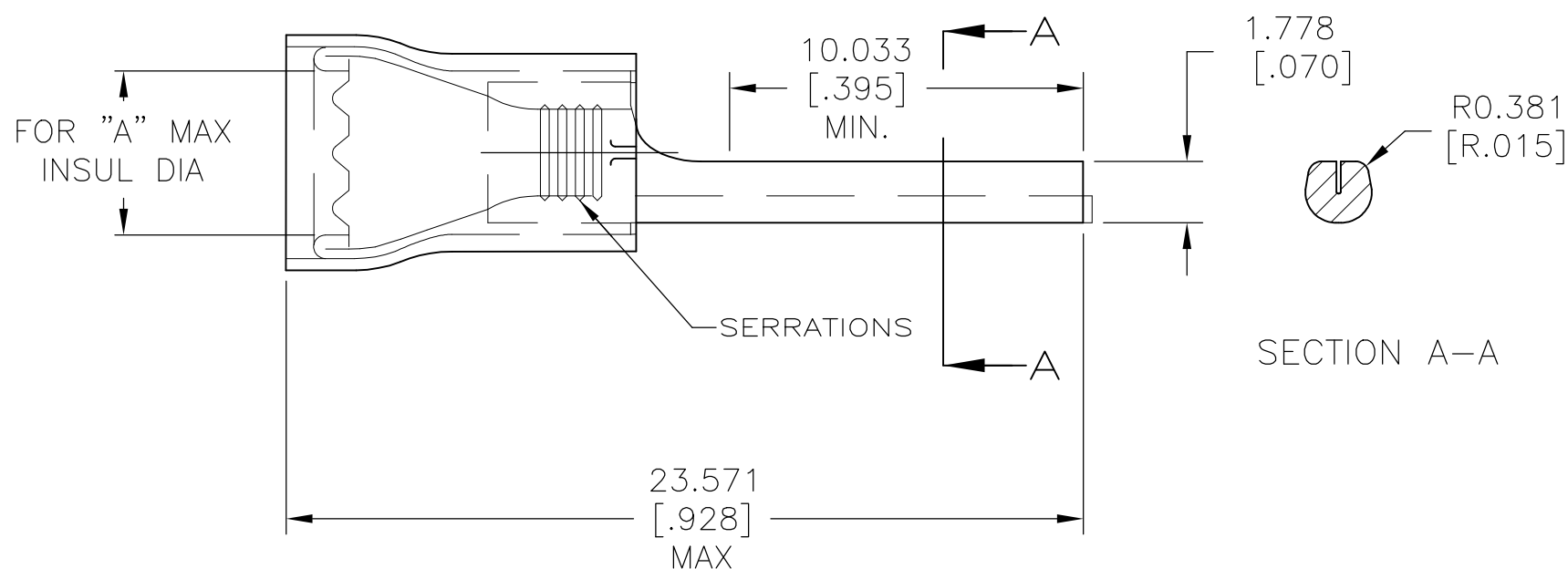
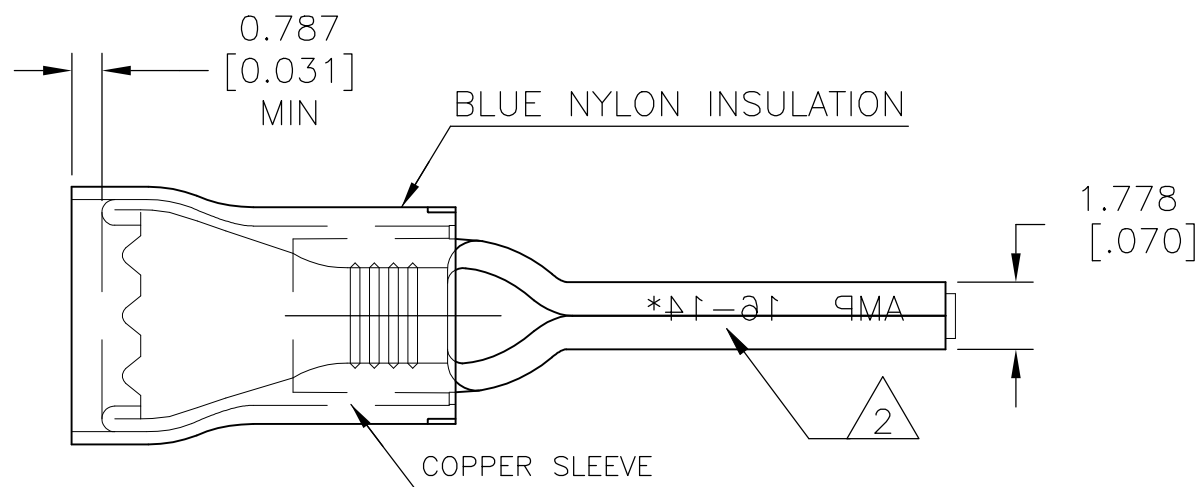





P	LTR	DESCRIPTION	DATE	DWN	APVD
	K2	REVISED PER ECO-14-003208	17MAR2014	NK	DR
	K3	REVISED PER ECO-17-008114	05JUN2018	RS	DR

<b>AMP</b> WIRE RANGE	 FILE E13288
1.0-2.6mm <sup>2</sup> (16-14 AWG) STRANDED	16-14 AWG STRANDED



- 1 WIRE INSULATION DIA "A" MAX, SEE TABLE
-  STAMP AMP 16-14\* APPROX AS SHOWN
-  MAX RECOMMENDED OPERATING TEMPERATURE 105°C[221°F]

	1000	4.394[.173]	TIN PLATED	COPPER	165172
	PACKAGE QTY	DIM "A"	FINISH	MATERIAL	PART NO

THIS DRAWING IS A CONTROLLED DOCUMENT.		DWN JR RUTH 19FEB04	 TE Connectivity Ltd.		
DIMENSIONS: mm [INCHES]		CHK T MICHELUTTI 19FEB04			
TOLERANCES UNLESS OTHERWISE SPECIFIED:		APVD T MICHELUTTI 19FEB04	NAME PIDG WIRE PIN ( LONG ) 16-14 AWG		
0 PLC ± -		PRODUCT SPEC UL 486 A-B	SIZE A3		
1 PLC ± -		APPLICATION SPEC 114-2157	CAGE CODE 00779	DRAWING NO C-165172	RESTRICTED TO -
2 PLC ± -		WEIGHT	SCALE 5:1		
3 PLC ± 0.127[.005]		CUSTOMER DRAWING			
4 PLC ± -		SHEET 1 OF 1			
ANGLES ± -		REV K3			
FINISH SEE TABLE					