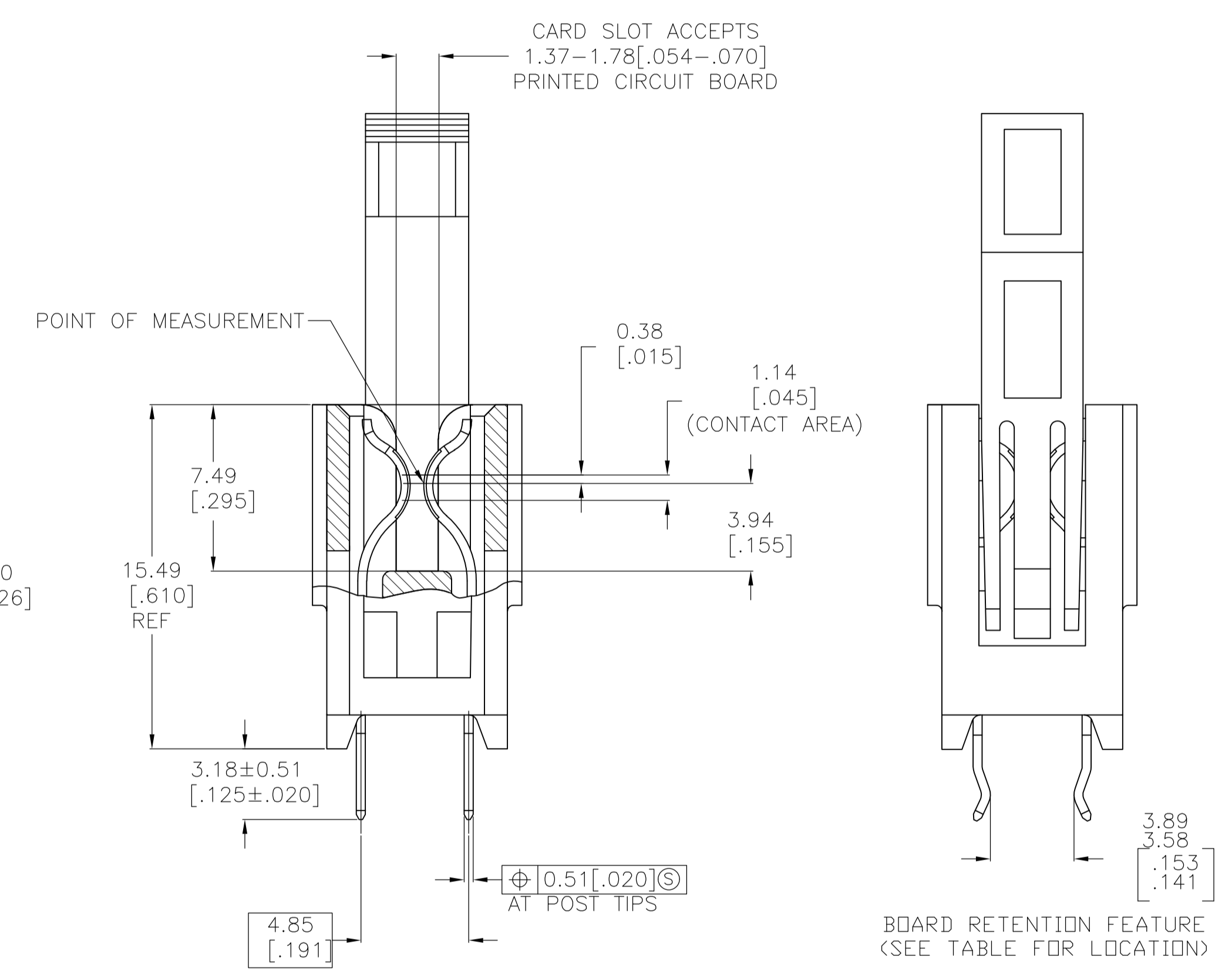
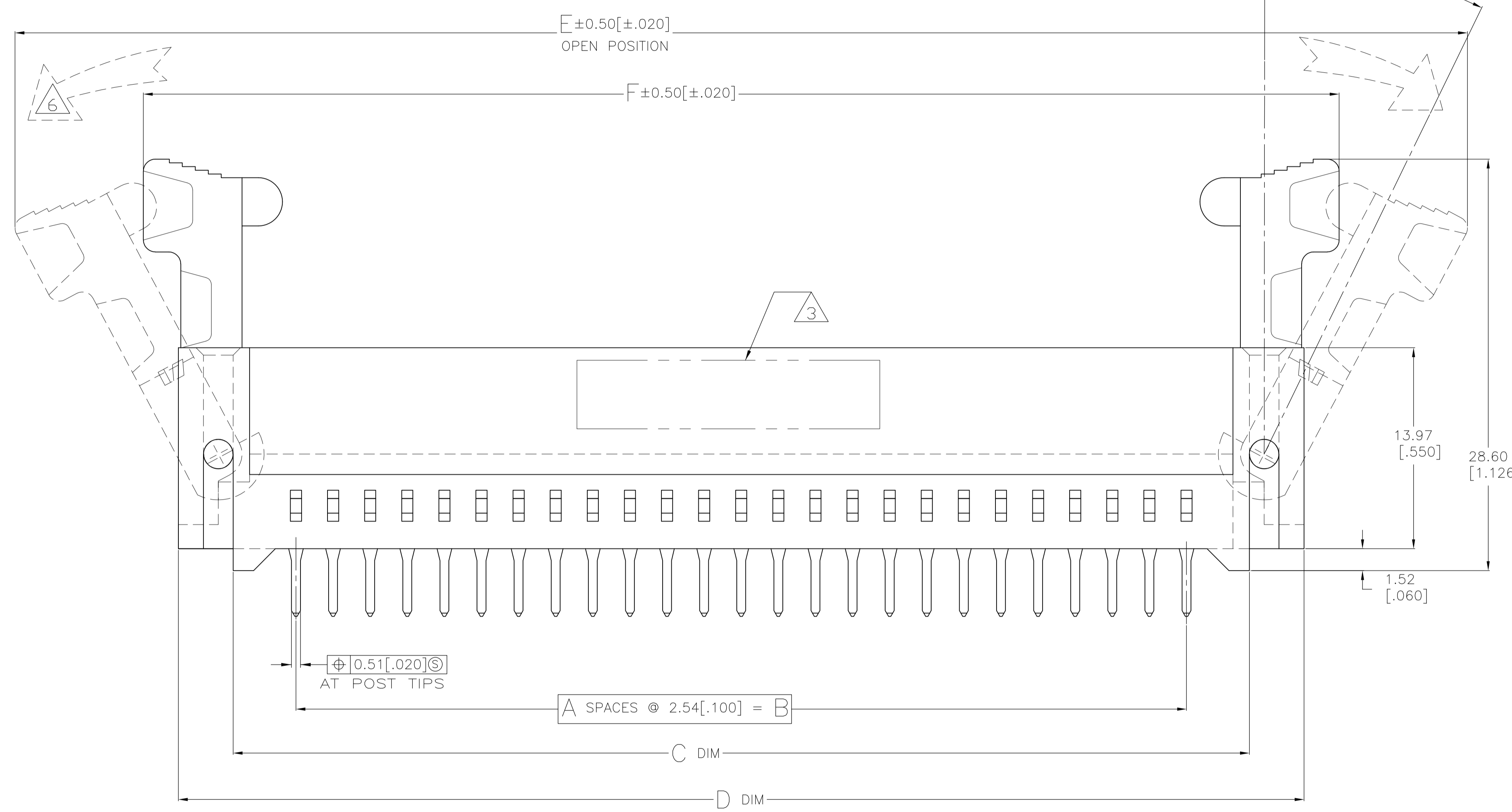


- MATERIAL:
HOUSING: GLASS FILLED POLYESTER, COLOR: BLACK.
CONTACT: PHOSPHOR BRONZE
LATCH: GLASS FILLED POLYESTER, COLOR: BLACK
- FINISH:
0.00076[.000030] MIN GOLD PLATE IN CONTACT AREA,
0.00254[.000100] MIN MATTE TIN ON SOLDER POSTS, ALL
OVER 0.00127[.000050] MIN NICKEL
- AMP LOGO, TE PART NUMBER, DATE CODE AND CSA LOGO INK STAMPED WHITE (HOT STAMPED OR LAZER PRINTED) IN THE APPROXIMATE AREA SHOWN, EITHER SIDE PERMISSABLE, WHEN HOUSING SIZE PERMITS
- DATUMS AND BASIC DIMENSIONS ESTABLISHED BY CUSTOMER
- CONNECTORS SHOWN ARE USED IN APPLICATIONS WITH VRM MODULES WEIGHING 3 OUNCES OR LESS. ALTERNATE CONNECTOR AND LATCH METHOD IS AVAILABLE FOR VRM MODULES WEIGHING UP TO 6 OUNCES.
- CAUTION: LATCHES ARE INTENDED FOR RETENTION OF PC BOARD TO CONNECTOR, DO NOT ATTEMPT TO FULLY EJECT PC BOARD FROM CONNECTOR WHILE DISENGAGING LATCHES. DAMAGE TO LATCHES AND OR CONNECTOR MAY OCCUR

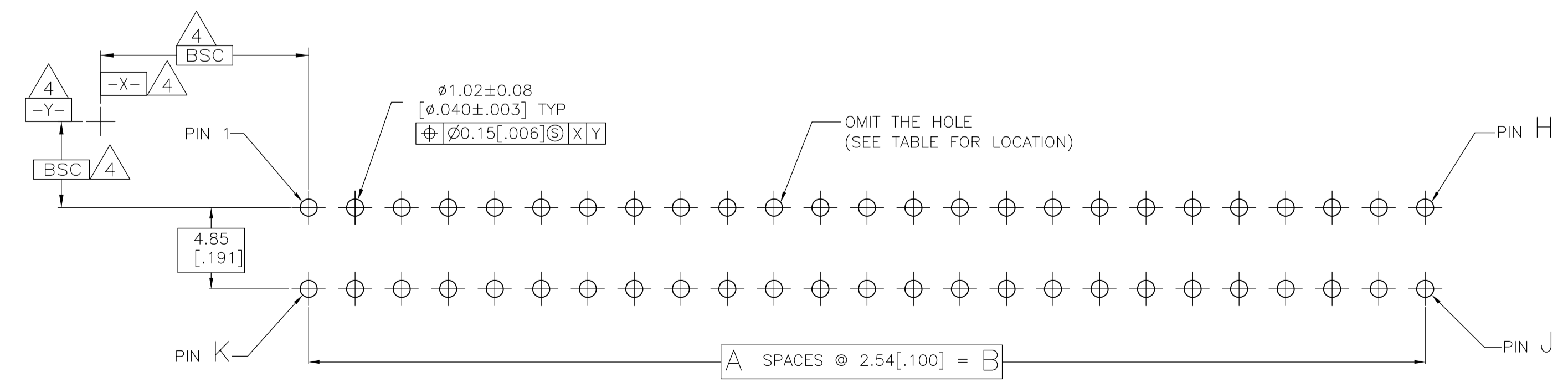
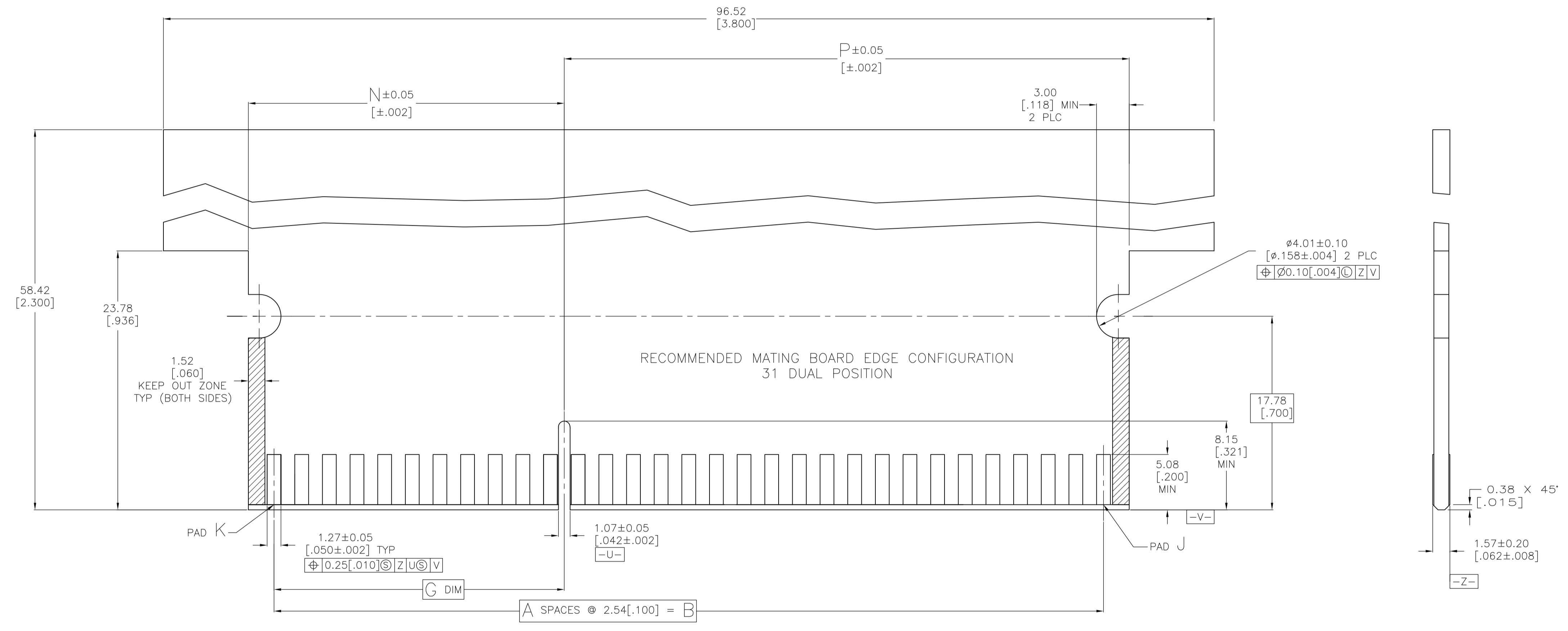
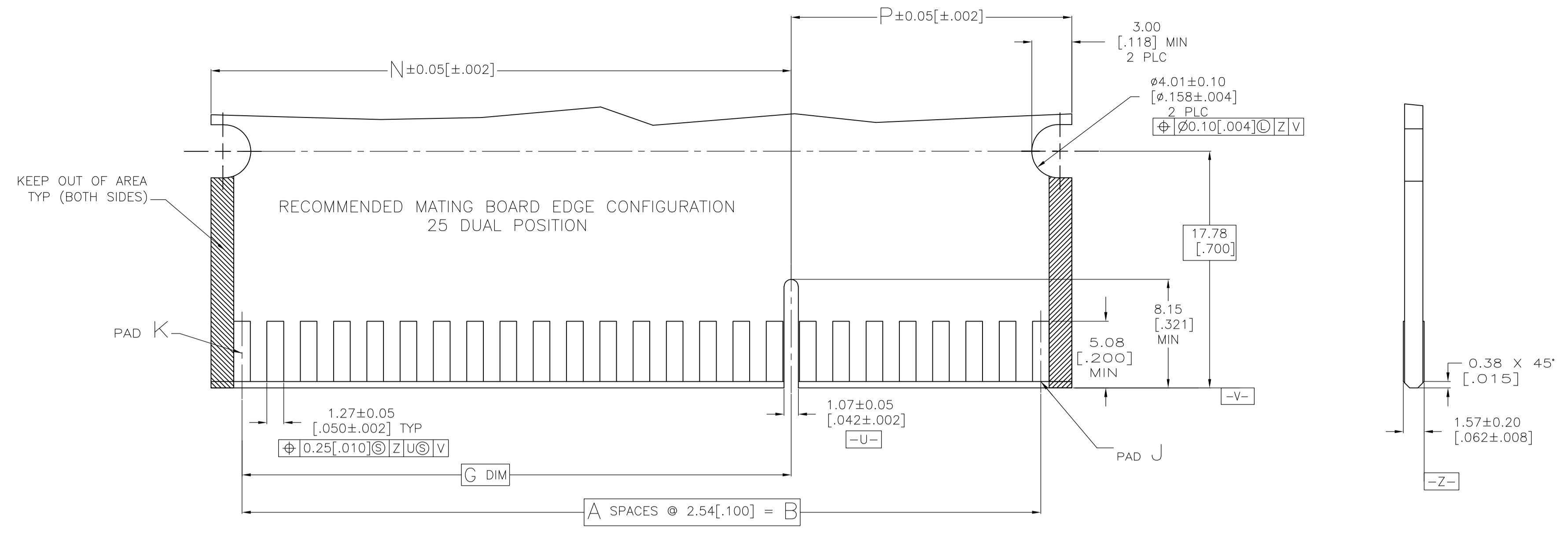


OBsolete	5145432-7
OBsolete	5145432-6
OBsolete	5145432-4
OBsolete	5145432-3
	PART NUMBER

2, 3, 23, 24, 27, 28, 48, 49	21 & 22	44	11.25 [.443]	54.43 [2.143]	50	26	25	52.07 [2.050]	79.60 [3.130]	97.10 [3.820]	74.78 [2.944]	67.28 [2.649]	60.96 [2.400]	24	25	5145432-8
2, 3, 29, 30, 33, 34, 60, 61	7 & 8	6	62.05 [2.443]	18.87 [.743]	62	32	31	16.51 [.650]	94.80 [3.730]	112.40 [4.420]	90.02 [3.544]	82.52 [3.249]	76.20 [3.000]	30	31	5145432-5
2, 3, 23, 24, 27, 28, 48, 49	17 & 18	44	21.41 [.843]	44.27 [1.743]	50	26	25	41.91 [1.650]	79.60 [3.130]	97.10 [3.820]	74.78 [2.944]	67.28 [2.649]	60.96 [2.400]	24	25	5145432-2
RETENTION FEATURE LOCATION	MOLDED-IN KEYING FEATURE BETWEEN	OMITTED PIN & HOLE	P	N	K	J	H	G	F	E	D	C	B	A	NO OF DUAL POSN	PART NUMBER

THIS DRAWING IS A CONTROLLED DOCUMENT.

DIMENSIONS: mm [INCHES]	TOLERANCES UNLESS OTHERWISE SPECIFIED:	DWN: AWF/L.A.MAYER	01APR2008	Tyco Electronics Corporation Harrisburg, PA 17105-3608
0 PLC ± -	1 PLC ± -	AWF	01APR2008	
2 PLC ± -	3 PLC ± 0.13[.005]	A.W.FRANTUM	01APR2008	CONNECTOR ASSEMBLY, STANDARD EDGE II, DUAL POSITION, 2.54[.100] CENTERLINE
4 PLC ± -	ANGLES ± ± 2°	S.FLICKINGER	01APR2008	
MATERIAL: SEE NOTE 1	FINISH: SEE NOTE 2	NAME: S.FLICKINGER	PRODUCT SPEC: 108-9039	SIZE: A1
		APPLICATION SPEC: 114-13018	WEIGHT: -	CAGE CODE: 00779
		CUSTOMER DRAWING	SCALE: 5:1	SHEET: 1 OF 2



RECOMMENDED PC BOARD HOLE LAYOUT

THIS DRAWING IS A CONTROLLED DOCUMENT.		DIN AWF/L.A.MAYER 01APR2008		Tyco Electronics Tyco Electronics Corporation Harrisburg, PA 17105-3608	
DIMENSIONS: mm [INCHES]		TOLERANCES UNLESS OTHERWISE SPECIFIED:		AWF 01APR2008	
0 PLC ± -		1 PLC ± -		S.FLICKINGER 01APR2008	
1 PLC ± -		2 PLC ± -		NAME	
2 PLC ± -		3 PLC ± 0.1[.005]		CONNECTOR ASSEMBLY, STANDARD EDGE II, DUAL POSITION, 2.54[.100] CENTERLINE	
3 PLC ± -		4 PLC ± ± 2°		PRODUCT SPEC	
4 PLC ± -		ANGLES ± ± 2°		108-9039	
MATERIAL SEE NOTE 1		FINISH SEE NOTE 2		APPLICATION SPEC	
				114-13018	
				SIZE	
				A1 00779	
				C=5145432	
				RESTRICTED TO	
				CUSTOMER DRAWING	
				SCALE 4:1 SHEET 2 OF 2 REV C	