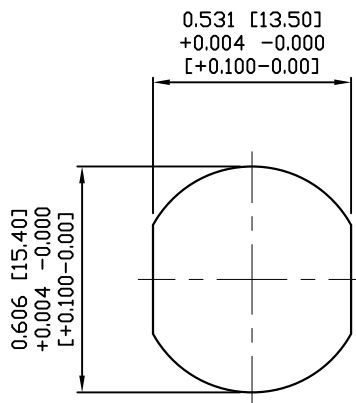


NUT



PANEL CUT-OUT

**NOTE:**

**MATERIAL**

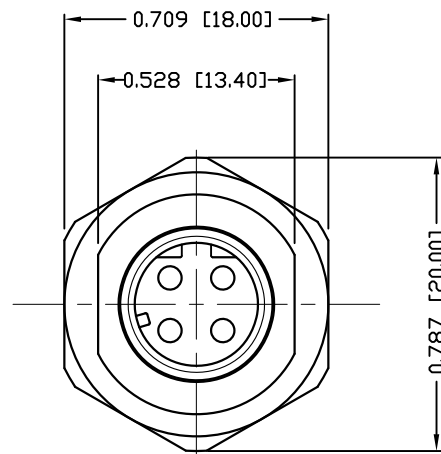
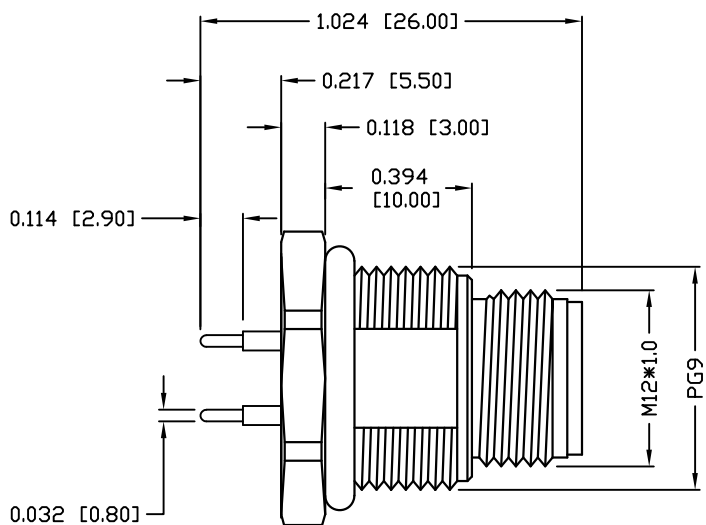
HOUSING:	PBT UL94V-0, BLACK
CONTACT:	BRASS
NUT:	BRASS
SHELL:	BRASS
O-RING:	EPDM, BLACK

**FINISH**

CONTACT:	GOLD PLATED OVER 50µ" NICKEL
NUT:	NICKEL PLATED 60µ" TO 100µ"
SHELL:	NICKEL PLATED 60µ" TO 100µ"

**ELECTRICAL**

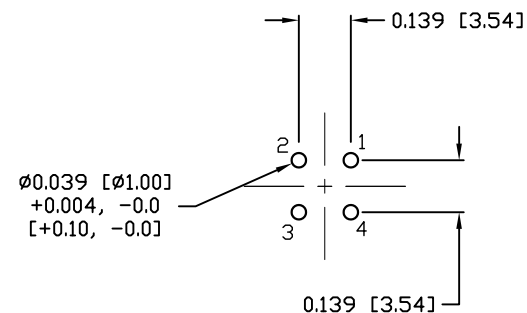
RATED CURRENT:	4A
RATED VOLTAGE:	250V
INSULATION RESISTANCE:	100 MΩhms MIN.
CONTACT RESISTANCE:	10 mΩhms MAX.
WATER PROOF:	IP67
ENVIRONMENT	
OPERATION TEMPERATURE:	-40°C TO +85°C



3 = BRASS/NICKEL SHELL & NUT  
S = STAINLESS STEEL SHELL & NUT

**860RD04-113R00Y**

1 = GOLD FLASH  
4 = 10µ" GOLD



RECOMMEND P.C.B LAYOUT

**RoHS COMPLIANT**

UNITS = INCHES [MM]

DO NOT SCALE FROM DRAWING



THESE DRAWINGS AND SPECIFICATIONS ARE THE PROPERTY OF NorComp AND SHALL NOT BE REPRODUCED, COPIED OR USED AS THE BASIS FOR THE MANUFACTURE OR SALE OF APPARATUS WITHOUT WRITTEN PERMISSION.

DRAWN:

M. SIGMON

DATE:

07-26-16

**NorComp**

SCALE:

NTS

SHEET

1

OF

1

REV

2

DWG NO.

860RD04-113R00Y

# Mouser Electronics

Authorized Distributor

Click to View Pricing, Inventory, Delivery & Lifecycle Information:

[NorComp:](#)

[860RD04-113R004](#) [860RD04-113R001](#) [860RD04-11SR004](#)